

Specifications:

140/141/142/143/144/145 Series (Figures 1 & 2)

- Material UL Recognized, QMFZ2, 125°C, .06 Clear Protective Plastic
- Thread Cutting Screws Furnished Per Cover
- RoHS Compliant

132/133 Series (Figure 3)

- Snap on, Hinged Cover, Black Thermoplastic
- UL Recognized, QMFZ2, 125°C
- RoHS Compliant

135 Series (Figure 4)

- Snap on, Hinged Cover, Black Thermoplastic
- UL Recognized, QMFZ2, 125°C
- RoHS Compliant

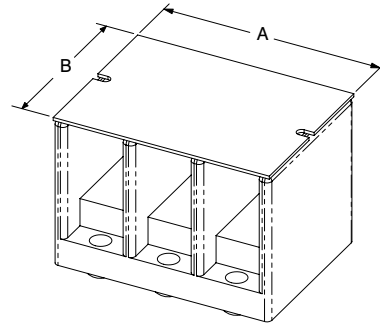


FIGURE 1

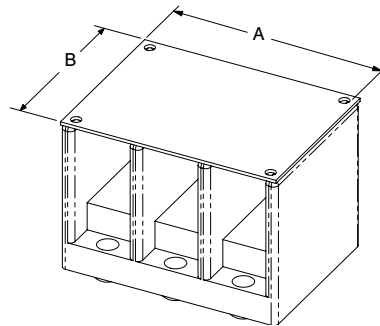


FIGURE 2

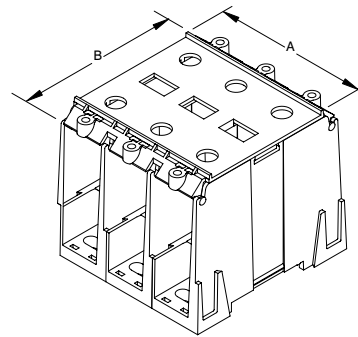


FIGURE 3
(Hinged Cover)

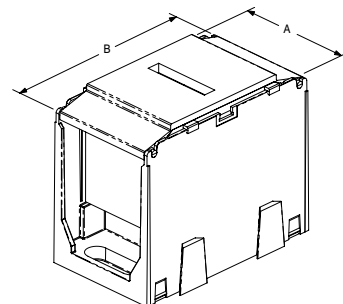


FIGURE 4
(Hinged Cover)

Dimensions (inches):

Catalog #	A	B	Figure #
CC1402	2.75	2.25	1
CC1403	4.00		
CC1411	0.77	2.40	2
CC1412	1.42		
CC1413	2.05		
CC1414	2.68		
CC1421	1.06		
CC1422	1.87	2.75	1
CC1423	2.68		
CC1431	1.78		
CC1432	3.31	3.38	1
CC1433	4.84		
CC1441	2.12		
CC1442	4.00	4.00	1
CC1443	5.87		
CC1451	2.87		
CC1452	5.56	4.50	1
CC1453	8.28		
CH1321	0.88		
CH1322	1.69		
CH1323	2.50		
CH1331	1.93	3.89	3
CH1332	3.61		
CH1333	5.30		
CH1351 (one pole only)	3.35	5.65	4