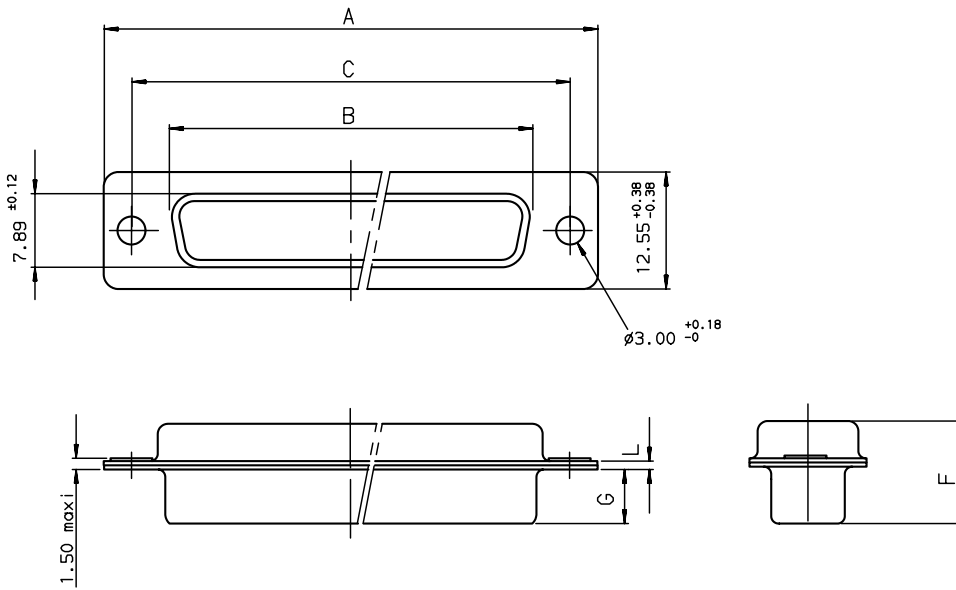


Dimensions are in millimeters



NOTE - RoHS INFORMATION

- The "LF" product meets European union Directives and other country regulations as described in 65-22-008.
- The product is not intended to be exposed to a manufacturing solder process.
- Plating: Sn pure bright over Copper.
- Packaging spec: see 65-14-920.

Shell size	Number of contacts	A ± 0.76 0	B ± 0.25 0	C ± 0.12	F ± 0.13 -0.03	G ± 0.25 0	L ± 0.22 0	Part number
E	09	30.43	16.21	24.99	10.64	6.05	0.80	86553148TLF
A	15	38.76	24.54	33.32	10.64	6.05	0.80	86553149TLF
B	25	52.65	38.25	47.04	10.64	6.05	0.80	86553150TLF
C	37	68.94	54.71	63.50	10.64	6.05	0.80	86553151TLF

rev	ecn no	dr	date
A	LS05-0123	LGO	2006/01/12
B	LS06-0095	LGO	2006/06/24
C	LS09-0006	PCR	2009/01/08
-	-	-	-
-	-	-	-
-	-	-	-

www.fciconnect.com		surface ISO 1302	tolerance std ISO 406 ISO 1101	projection A3	mm
TOLERANCES UNLESS OTHERWISE SPECIFIED					
Dr	GOISNARD	2006/01/12	ANGULAR	0.X	± 0.1
Eng	PESSON	2006/01/12	LINEAR	0.XX	± 0.1
Chr	LEGARE	2006/01/12	0.XX	0.XXX	± 0.1
Appr	LEGARE	2006/01/12	Product family D-SUB Spec ref -		
Title SOCKET METAL CAPS D SUB ACCESSORIES			no C01-8655-1657		Rev. C
catalog no			CUSTOMER sheet 1 of 1		

Copyright FCI

REV F - 2006-04-17