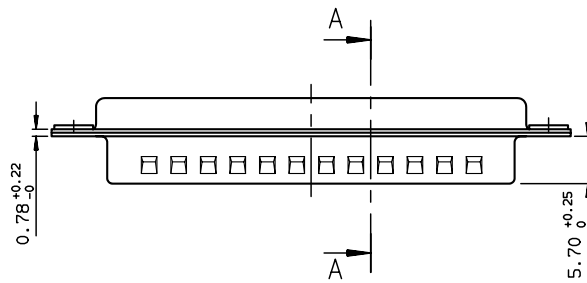
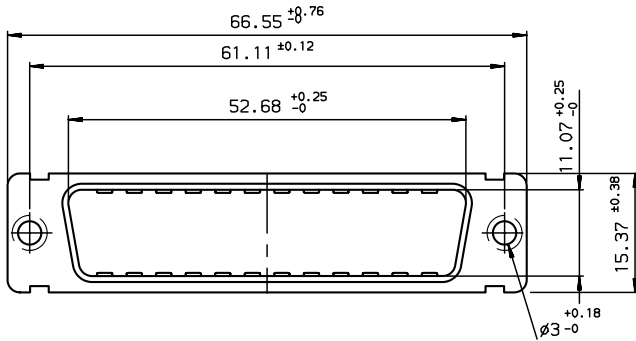
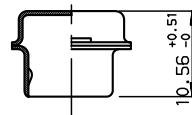


**CHARACTERISTICS:**

Material of shell: steel  
 Plating of shell: tin  
 Packaging: 100 pieces



section A-A



Part number **86553117TLF**

European Views

www.fciconnect.com		surface ISO 1302	tolerance std ISO 406 ISO 1101	projection ISO 1101	mm
TOLERANCES UNLESS OTHERWISE SPECIFIED					
Dr	JARRY	2002/05/03	ANGULAR	0.X	±0.1
Eng	PESSON	2002/05/03	LINEAR	0.XX	±0.1
Chr	LEGARE	2002/05/03	0.XX	0.XXX	±0.1
Appr	LEGARE	2002/05/03	0.XX	0.XXX	±0.1
Product family			D-SUB Spec ref -		
Title		METAL CAPS		Rev.	
SHELL 50		D SUB ACCESSORIES		C01-8655-1560	
catalog no		-		CUSTOMER sheet 1 of 1	

**NOTE: RoHS INFORMATIONS**

- The "LF" products meet European union Directives and other country regulations as described in 65-22-008.
- Plating Sn (pure bright ) over copper
- Packaging spec: see 65-14-920

rev	ecn no	dr	date
A	-	JAR	2002/05/03
B	LS05-0026	MPE	2005/07/08
C	LS06-0101	MPE	2006/06/19
D	LS09-0006	PCR	2009/01/08
-	-	-	-
-	-	-	-
-	-	-	-



FCj

FCj

Copyright FCI.

REV F - 2006-04-17