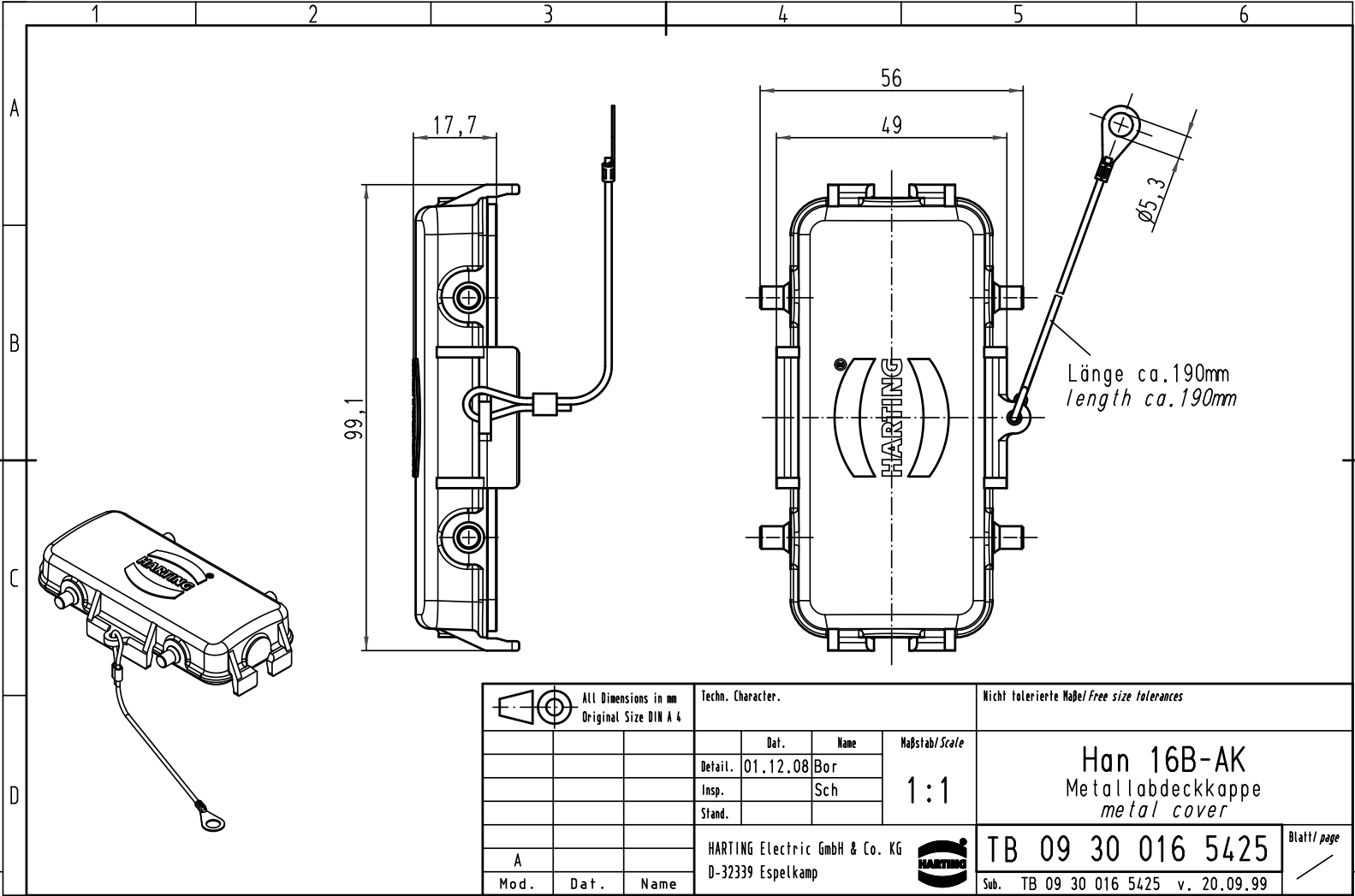


Alle Rechte vorbehalten/ All rights reserved



| | | | | | | | | | |
|---|------|------|-------------------|--------------------------------|----------|---|---|--|-------------|
| All Dimensions in mm Original Size DIN A 4 | | | Techn. Character. | | | Nicht tolerierte Maß/Free size tolerances | | | |
| | | | | Dat. | Name | Maßstab/Scale | | | |
| | | | | Detail. | 01.12.08 | Bor | 1:1 | | |
| | | | | Insp. | | Sch | | | |
| | | | | Stand. | | | | | |
| A | | | | HARTING Electric GmbH & Co. KG | | | TB 09 30 016 5425 Metallabdeckkappe <i>metal cover</i> | | |
| Mod. | Dat. | Name | D-32339 Espelkamp | | | Sub. TB 09 30 016 5425 v. 20.09.99 | | | |
| | | | | | | | | | |
| | | | | | | | | | Blatt/ page |