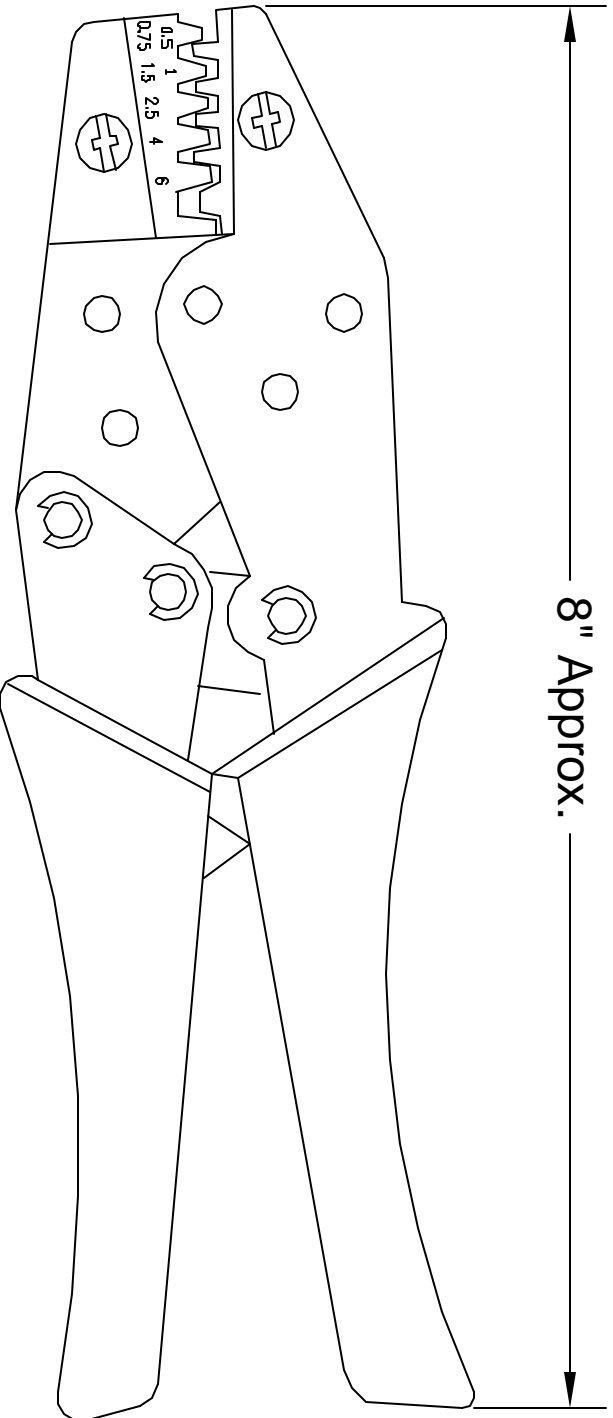


ALL RIGHTS RESERVED. NO PORTION OF THIS PUBLICATION, WHETHER IN WHOLE OR IN PART CAN BE REPRODUCED WITHOUT THE EXPRESS WRITTEN CONSENT OF SPC TECHNOLOGY.

SPC-F003.DWG

REVISIONS		DOC. NO. SPC-F003	Effective 7/8/02		DCP No. 1308			
DCP #	REV	DESCRIPTION	DRAWN	DATE	CHECK'D	DATE	APPR'D	DATE
1810	A	Released	JWM	8/24/00	JN	04/15/08	JN	04/15/08

8" Approx.



- NOTES:
1. Crimps 12-22 AWG Ferrules
 2. Fully Ratcheting Cycle
 3. Interchangeable Dies
 4. Quick Release Safety Catch

DISCLAIMER:
ALL STATEMENTS AND TECHNICAL INFORMATION CONTAINED HEREIN ARE BASED UPON INFORMATION AND/OR TESTS WE BELIEVE TO BE ACCURATE AND RELIABLE. SINCE CONDITIONS OF USE ARE BEYOND OUR CONTROL, THE USER SHALL DETERMINE THE SUITABILITY OF THE PRODUCT FOR THE INTENDED USE AND ASSUME ALL RISK AND LIABILITY WHATSOEVER IN CONNECTION THEREWITH.

TOLERANCES:
UNLESS OTHERWISE SPECIFIED, DIMENSIONS ARE FOR REFERENCE PURPOSES ONLY.

DRAWN BY:	DATE:
Jeff McVicker	8/24/00
CHECKED BY:	DATE:
Jason Nash	04/15/08
APPROVED BY:	DATE:
Jason Nash	04/15/08

DRAWING TITLE:		DRAWING NO.		SCALE:		SHEET:	
Wire Ferrule Crimp Tool		SPC9539		NTS		1 OF 1	
ELECTRONIC FILE		U.O.M.: INCHES [mm]		SHEET:		1 OF 1	
9089535.dwg		A		REV		A	