



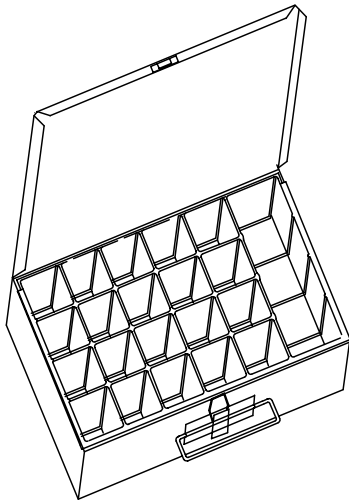
ALL RIGHTS RESERVED. NO PORTION OF THIS PUBLICATION, WHETHER IN WHOLE OR IN PART, CAN BE REPRODUCED WITHOUT THE EXPRESS WRITTEN CONSENT OF SPC TECHNOLOGY.

SPC-F005.DWG

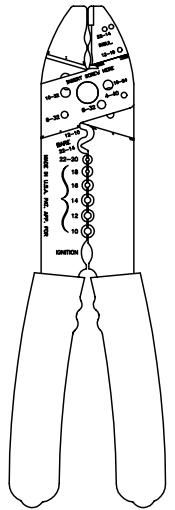
REVISIONS

DOC. NO. SPC-F005 \* Effective: 7/8/02 \* DCP No: 1398

DCP #	REV	DESCRIPTION	DRAWN	DATE	CHECKD	DATE	APPRVD	DATE
1208	B	Crimp tool was 3646	JWM	7/18/01	JC	7/20/01	JC	7/20/01
1385	C	Lid label was KL-25	JWM	11/15/02	JC	11/15/02	JC	11/15/02



<p>CLS-TV-1806 Snap Spade Tongue No. 22-18 AWG No. 6 Stud Qty 25</p>	<p>CLS-TV-1406 Snap Spade Tongue No. 16-14 AWG No. 6 Stud Qty 25</p>	<p>CLS-TV-1408 Snap Spade Tongue No. 16-14 AWG No. 8 Stud Qty 25</p>	<p>CPT-TV-1822 Pin Terminal No. 22-18 AWG .080 Pin Dia. Qty 25</p>	<p>CPT-TV-1416 Pin Terminal No. 16-14 AWG .080 Pin Dia. Qty 25</p>
<p>CPT-TV-1012 Pin Terminal No. 12-10 AWG .110 Pin Dia. Qty 25</p>	<p>CRS-ZV-1806 Ring Terminal No. 22-18 AWG No. 6 Stud Qty 25</p>	<p>CRS-ZV-1410 Ring Terminal No. 16-14 AWG No. 10 Stud Qty 25</p>	<p>CRS-TV-1810 Ring Terminal No. 22-18 AWG No. 10 Stud Qty 25</p>	<p>CRS-TV-1808 Ring Terminal No. 22-18 AWG No. 8 Stud Qty 25</p>
<p>CRS-TV-1806 Ring Terminal No. 22-18 AWG No. 6 Stud Qty 25</p>	<p>CRS-TV-1406 Ring Terminal No. 16-14 AWG No. 6 Stud Qty 25</p>	<p>CRS-TV-1006 Ring Terminal No. 12-10 AWG No. 6 Stud Qty 25</p>	<p>CRS-TV-1010 Ring Terminal No. 12-10 AWG No. 10 Stud Qty 25</p>	<p>CRS-TV-1025 Ring Terminal No. 12-10 AWG 1/4" Stud Qty 25</p>
<p>CBS-TV-1806 Block Spade Tongue No. 22-18 AWG No. 6 Stud Qty 25</p>	<p>CBS-TV-1406 Block Spade Tongue No. 16-14 AWG No. 6 Stud Qty 25</p>	<p>CBS-DY-1806 Block Spade Tongue No. 22-18 AWG No. 6 Stud Qty 25</p>	<p>CCS-TV-1818 Butt Wire Splice No. 22-18 AWG Qty 25</p>	<p>CCS-TV-1414 Butt Wire Splice No. 16-14 AWG Qty 25</p>



Crimp Tool  
Type No. 8403-001

NOTES:

- Case p/n 4001 - 13<sup>5</sup>/<sub>16</sub> x 9<sup>5</sup>/<sub>16</sub> x 2<sup>1</sup>/<sub>8</sub> - Steel
- Lid Label #KL-84N671

DISCLAIMER:  
ALL STATEMENTS AND TECHNICAL INFORMATION CONTAINED HEREIN ARE BASED UPON INFORMATION AND/OR TESTS WE BELIEVE TO BE ACCURATE AND RELIABLE. SINCE CONDITIONS OF USE ARE BEYOND OUR CONTROL, THE USER SHALL DETERMINE THE SUITABILITY OF THE PRODUCT FOR THE INTENDED USE AND ASSUME ALL RISK AND LIABILITY WHATSOEVER IN CONNECTION THEREWITH.

TOLERANCES:

UNLESS OTHERWISE SPECIFIED, DIMENSIONS ARE FOR REFERENCE PURPOSES ONLY.

DRAWN BY:	DATE:
Jeff McVicker	2/21/01
CHECKED BY:	DATE:
JOHN COLE	12/6/00
APPROVED BY:	DATE:
Daniel Carey	2/7/01

DRAWING TITLE:

Solderless Terminal Kit

SIZE	DWG. NO.	ELECTRONIC FILE	REV
A	3648	84N671.dwg	C
SCALE:	U.O.M.: INCHES [mm]	SHEET: 1 OF 1	
NTS			