

ALL RIGHTS RESERVED. NO PORTION OF THIS PUBLICATION, WHETHER IN WHOLE OR IN PART CAN BE REPRODUCED WITHOUT THE EXPRESS WRITTEN CONSENT OF SPC TECHNOLOGY.

REVISIONS			DOC. NO. SPC-F005 * Effective: 12/21/98 * DCP No: 680					
DCP #	REV	DESCRIPTION	DRAWN	DATE	CHECKD	DATE	APPRVD	DATE
129	A	RELEASED	DJC	1/6/99	JC	1/8/99	JWM	1/11/99

30 PIECE UNIVERSAL ADAPTER

KIT CONTAINS:

- 6 - Universal Adapters
- 2 - BNC-Male
- 2 - BNC-Female
- 2 - N-Male
- 2 - N-Female
- 2 - SMA-Male
- 2 - SMA-Female
- 2 - TNC-Male
- 2 - TNC-Female
- 2 - UHF-Male
- 2 - UHF-Female
- 2 - M-UHF Male
- 2 - M-UHF Female




Create any inter-series or intra-series adapter you need.

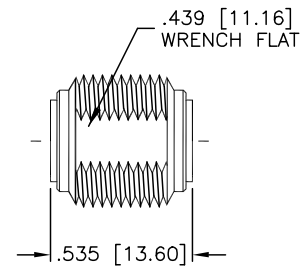
Each fitting has a common connector end and a universal adapter end. Choose the two common connector ends you need, and screw them together with the universal adapter. Our adapter kits let you mix and match any 2 male or female coaxial fittings. Build the perfect adapter for the job - male to male, male to female, or female to female.

All sections are made of silver plated machined brass with a gold plated phosphor bronze contact anchored in a Teflon dielectric.

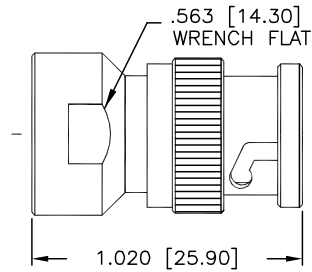
Thirty pieces are stored in a padded, soft zippered carrying case.

<small>DISCLAIMER: ALL STATEMENTS AND TECHNICAL INFORMATION CONTAINED HEREIN ARE BASED UPON INFORMATION AND/OR TESTS WE BELIEVE TO BE ACCURATE AND RELIABLE. SINCE CONDITIONS OF USE ARE BEYOND OUR CONTROL, THE USER SHALL DETERMINE THE SUITABILITY OF THE PRODUCT FOR THE INTENDED USE AND ASSUME ALL RISK AND LIABILITY WHATSOEVER IN CONNECTION THEREWITH.</small>		 SPC TECHNOLOGY		
<small>UNLESS OTHERWISE SPECIFIED, DIMENSIONS ARE FOR REFERENCE PURPOSES ONLY.</small>	<small>DRAWN BY:</small> DANIEL CAREY	<small>DATE:</small> 1/6/99	<small>DRAWING TITLE:</small> UNIVERSAL ADAPTER KIT, 30 PIECES, S, G, T	
	<small>CHECKED BY:</small> JOHN COLE	<small>DATE:</small> 1/8/99	<small>SIZE</small> A	<small>DWG. NO.</small> 8589-0863
	<small>APPROVED BY:</small> JEFF MCVICKER	<small>DATE:</small> 1/11/99	<small>ELECTRONIC FILE</small> 16N2745.DWG	<small>REV</small> A
	<small>SCALE:</small> NTS		<small>U.O.M.:</small> INCHES [mm]	<small>SHEET:</small> 1 OF 3

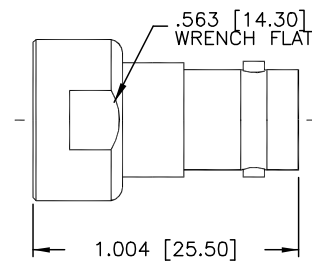
SPC-F005.DWG



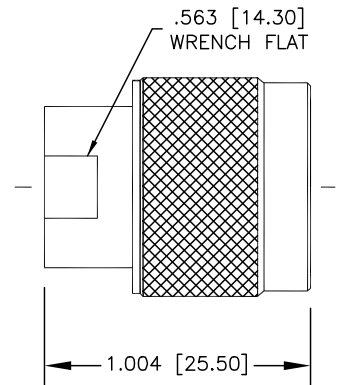
UNIVERSAL ADAPTER
IMPEDANCE: 50 Ohms



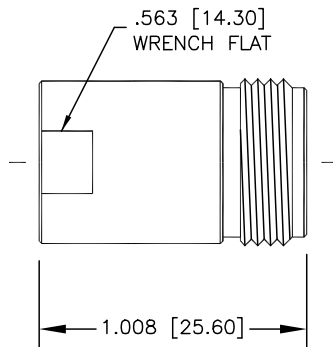
UNIADAPT FEMALE
TO BNC MALE
IMPEDANCE: 50 Ohms



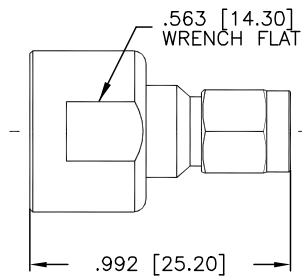
UNIADAPT FEMALE
TO BNC FEMALE
IMPEDANCE: 50 Ohms



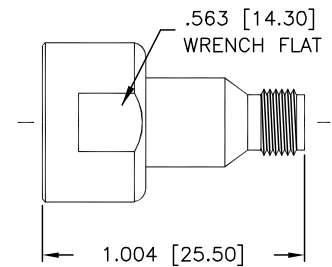
UNIADAPT FEMALE
TO N MALE
IMPEDANCE: 50 Ohms



UNIADAPT FEMALE
TO N FEMALE
IMPEDANCE: 50 Ohms

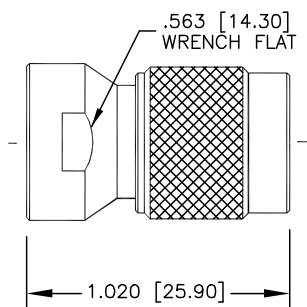


UNIADAPT FEMALE
TO SMA MALE
IMPEDANCE: 50 Ohms

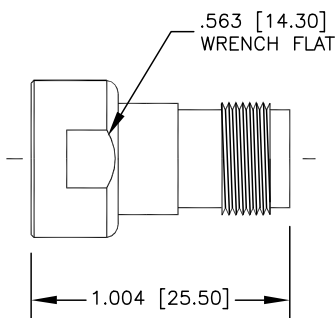


UNIADAPT FEMALE
TO SMA FEMALE
IMPEDANCE: 50 Ohms

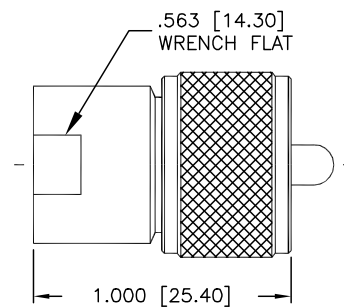
SIZE	DWG. NO.	ELECTRONIC FILE	REV
A	8589-0863	16N2745.DWG	A
SCALE: NTS	U.O.M.: INCHES [mm]	SHEET: 2 OF 3	



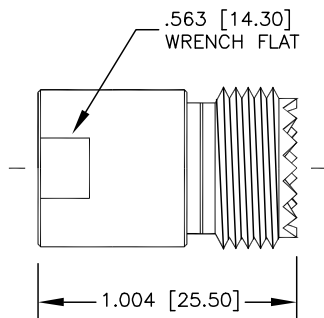
UNIADAPT FEMALE
TO TNC MALE
IMPEDANCE: 50 Ohms



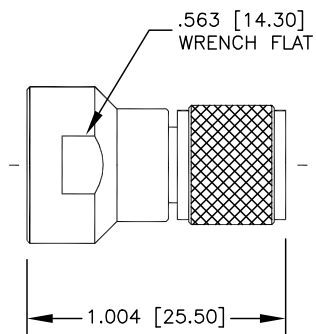
UNIADAPT FEMALE
TO TNC FEMALE
IMPEDANCE: 50 Ohms



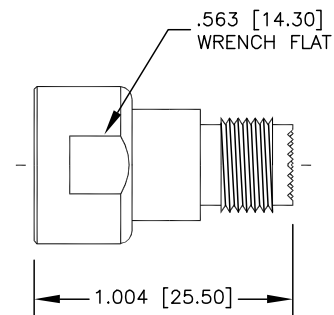
UNIADAPT FEMALE
TO UHF MALE
IMPEDANCE: Non Constant



UNIADAPT FEMALE
TO UHF FEMALE
IMPEDANCE: Non Constant



UNIADAPT FEMALE
TO MINI UHF MALE
IMPEDANCE: 50 Ohms



UNIADAPT FEMALE TO
MINI UHF FEMALE
IMPEDANCE: 50 Ohms

SIZE	DWG. NO.	ELECTRONIC FILE	REV
A	8589-0863	16N2745.DWG	A
SCALE:	NTS	U.O.M.: INCHES [mm]	SHEET: 3 OF 3