

OARS-3

Open Air Sense Resistors Metal Alloy Strip



- Higher than standard 1 Watt rating for 2512 pad design
- Zero ohm jumper available
- Economical low resistance SMT
- Resistance values 2mΩ to 15mΩ
- ±1% or ±5% tolerance (0.002Ω 5% only)
- Open air design provides cooler operation

Electrical Data

IRC Type	Power Rating (watts)	Available Resistance (ohms) ¹
OARS-3	3W @ 70°C	.002, .003, .004, .005, .010, .015

¹ Non-Standard un-listed resistance values can be made available, subject to engineering charges and/or minimum order requirements.

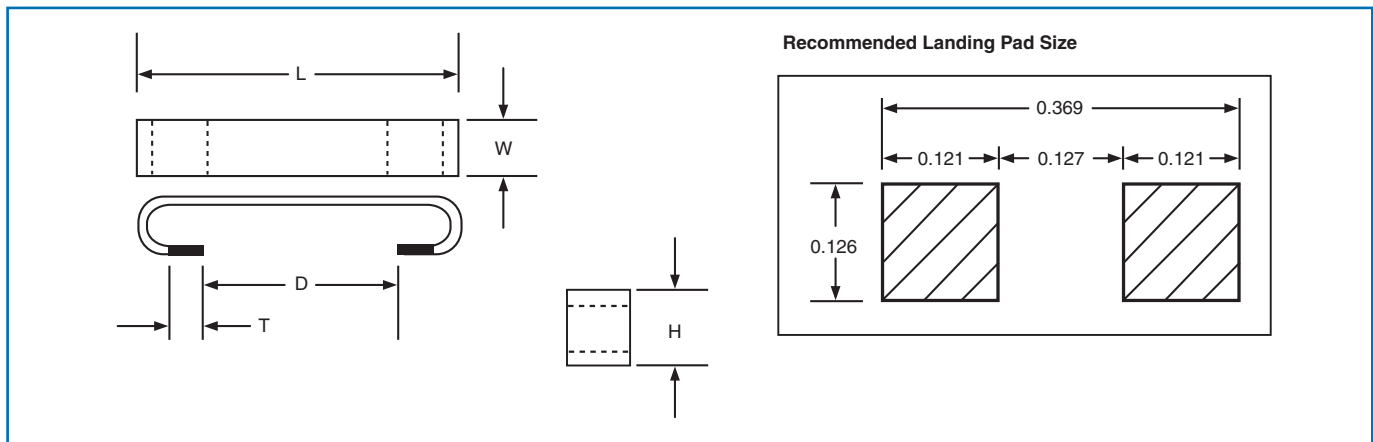
Features:

- Superior thermal expansion cycling
- Flameproof
- Inductance less than 10 nanohenries
- Lead flexible for thermal expansion

Applications:

- Current sensing
- Feedback
- Low inductance
- Surge and pulse
- AC applications (please contact the factory)

Physical Data



Dimensions (Inches and (mm))

IRC Type	L	H	T	D	W
OARS-3	0.440 ±0.015 (11.18 ±0.381)	0.120 ±0.030 (3.05 ±0.762)	0.093 ±0.010 (2.36 ±0.254)	0.190 ±0.030 (4.83 ±0.762)	0.125 ±0.015 (3.175 ±0.381)
OARS-3 0.002Ω	0.455 ±0.015 (11.56 ±0.381)	0.150 ±0.030 (3.51 ±0.762)	0.093 ±0.010 (2.36 ±0.254)	0.185 ±0.030 (4.70 ±0.762)	0.140 ±0.015 (3.56 ±0.381)
OARS-3 0.003Ω	0.440 ±0.015 (11.18 ±0.381)	0.138 ±0.030 (3.51 ±0.762)	0.093 ±0.010 (2.36 ±0.254)	0.190 ±0.030 (4.83 ±0.762)	0.125 ±0.015 (3.175 ±0.381)

General Note

IRC reserves the right to make changes in product specification without notice or liability. All information is subject to IRC's own data and is considered accurate at time of going to print.

Wire and Film Technologies Division • 4222 South Staples Street • Corpus Christi Texas 78411 USA
Telephone: 361 992 7900 • Facsimile: 361 992 3377 • Website: www.irctt.com



A Subsidiary of
TT electronics plc

February 2009 Issue Page 1 of 4

OARS-3

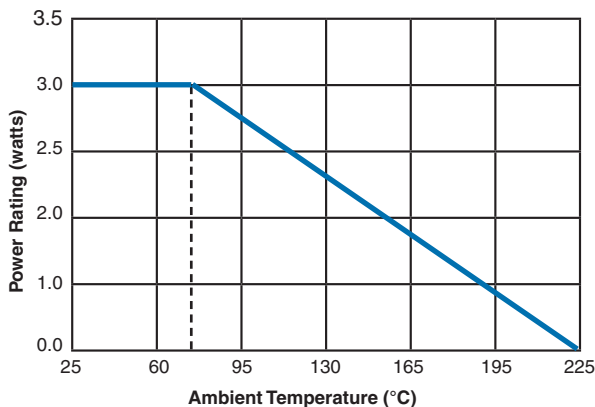
Open Air Sense Resistors

Metal Alloy Strip

Environmental Data

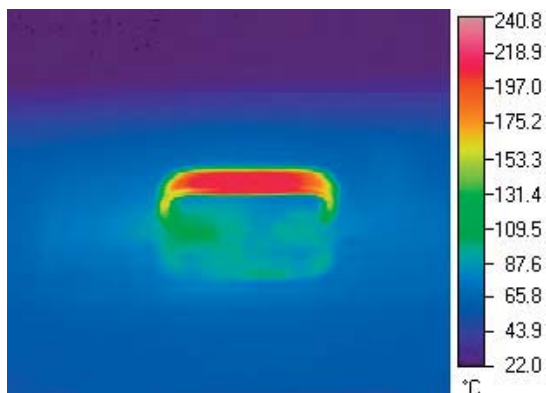
Test Spec: AEC Q200	2m - 3m	4m - 15m
TCR +125 to -55°C	240ppm	40ppm
Thermal Shock	<0.75%	<0.75%
High Temperature Exposure 125°C	<1.75%	<0.5%
Temperature Cycling: -40 to +125°C	<1.0%	<1.0%
Operational Life	<2.0%	<1.0%
Baised Humidity	<0.75%	<0.5%
Mechanical Shock	<1.5%	<1.0%
Vibration	<1.0%	<1.0%
Moisture Resistance	<1.0	<2.5%
Terminal Strength	Meets JIS-C-6429	
Solvent Resistance	Meets MIL-STD-202 Method 215	
Solderability	Meets J-STD-002 Method B	

Power Derating Curve



Note:

The power derating curve is a guidance based on a conservative design model. The OARS is a solid metal alloy construction that can withstand significantly greater operating temperatures than conservative design models permit. The resistive alloys can withstand temperatures in excess of 350°C. Therefore, the system thermal design is a more significant design parameter due to the heat limitations of solder joints and/or circuit board substrate materials. Refer to additional information below.



OARS R005 Thermal Image @ 4 Watts
Ambient conditions, No forced air.

The thermal image (not a simulation) to the left is of an OARS 5 mΩ running at 4 Watts, which exceeds the 1 Watt conservative model. Notice the hotspot is nearly 230°C, but the solder joint is approximately 110°C (FR4 is rated for 130°C). The unique construction of the OARS isolates the hotspot from the circuit board material preventing damage. Additionally, the thermal energy is dissipated to the air instead of being conducted into the circuit board potentially causing a nearby power component to exceed its rating.

The standard test circuit board consists of a four layer FR4 material with 2 ounce outer layers and 1 ounce inner layers, which is typical of many industry designs. Contact IRC for more details or for other thermal image test data for specific resistance values and power levels.

OARS-3

Open Air Sense Resistors

Metal Alloy Strip

Pulse/Surge Chart

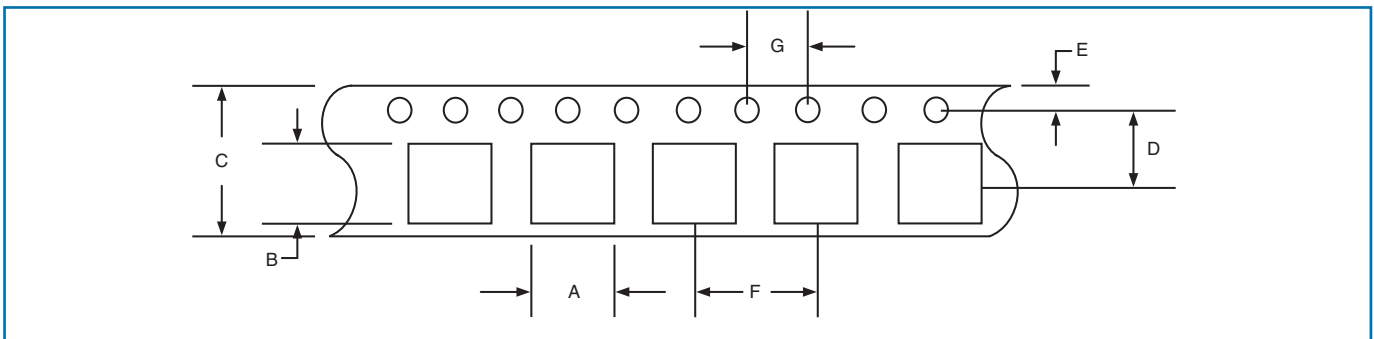


Note:

The high pulse/surge capability of the OARS parts is attributed to the solid metal alloy construction. In many applications the cross-section of the OARS is greater than the cross-section of the board traces connecting the parts to the circuit board.

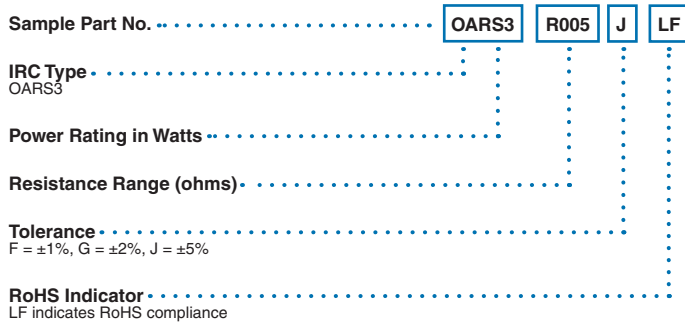
Cross-Sectional area ranges from approximately 780 mils to 3600 mils.

Tape Specifications



Dimensions (Inches and (mm))							
IRC Type	A	B	C	D	E	F	G
OARS-3	0.17 ±0.003 (4.32 ±0.08)	0.461 ±0.003 (11.7 ±0.08)	0.945 ±0.010 (24.0 ±0.30)	0.453 ±0.004 (11.5 ±0.10)	0.069 ±0.004 (1.75 ±0.10)	0.315 ±0.004 (8.0 ±0.10)	0.157 ±0.004 (4.0 ±0.1)

Ordering Data

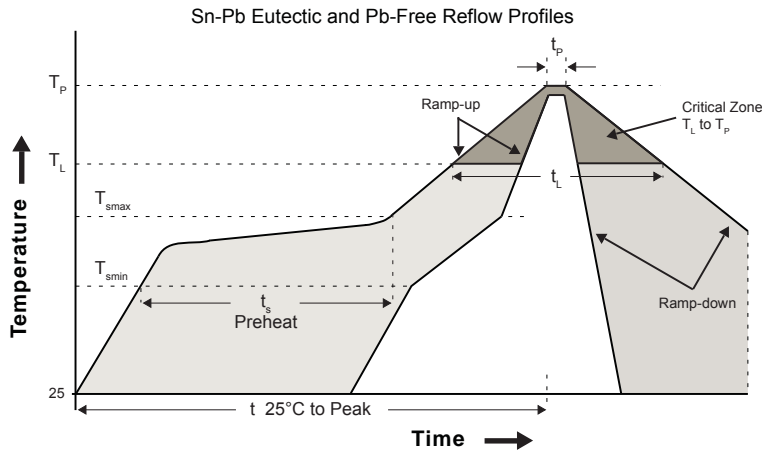


OARS-3

Open Air Sense Resistors

Metal Alloy Strip

IRC Solder Reflow Recommendations



* Based on Industry Standards and IPC recommendations

Profile Feature	Sn-Pb Eutectic Assembly	Pb-Free Assembly
Average Ramp-up rate (T _{smax} to T _p)	3°C / second max.	3°C / second max.
Preheat - Temperature Min (T _{smin}) - Temperature Max (T _{smax}) - Time (T _{smin} to T _{smax}) (t _s)	100°C 150°C 60 - 120 seconds	150°C 200°C 60 - 180 seconds
Time maintained above - Temperature (T _L) - Time (t _L)	183°C 60 - 150 seconds	217°C 60 - 150 seconds
Peak Temperature (T _p)	See Table 1	See Table 2
Time within 5°C of actual Peak Temperature (t _p) ²	10 - 30 seconds	20 - 40 seconds
Ramp-down Rate	6°C / second max.	6°C / second max.
Time 25°C to Peak Temperature	6 minutes max.	8 minutes max.

Note 1: All temperatures refer to topside of the package, measured on the package body surface.

Note 2: Time within 5 °C of actual peak temperature (t_p) specified for the reflow profiles is a “supplier” minimum and a “user” maximum.

Package Thickness	Volume mm ³ < 350	Volume mm ³ ≥ 350
< 2.5 mm	240 +0/-5°C	225 +0/-5°C
≥ 2.5 mm	225 +0/-5°C	225 +0/-5°C

Note 1: Package volume excludes external terminals (balls, bumps, lands, leads) and/or non-integral heat sinks.

Package Thickness	Volume mm ³ < 350	Volume mm ³ 350 - 2000	Volume mm ³ > 2000
< 1.6 mm	260°C *	260°C *	260°C *
1.6 mm - 2.5 mm	260°C *	250°C *	245°C *
≥ 2.5 mm	250°C *	245°C *	245°C *

Note 2: The maximum component temperature reached during reflow depends on package thickness and volume. The use of convection reflow processes reduces the thermal gradients between packages. However, thermal gradients due to differences in thermal mass of SMD packages may still exist.

Note 3: Components intended for use in “lead-free” assembly process shall be evaluated using the “lead-free” peak temperature and profiles defined in Table 1, 2 and reflow profile whether or not lead-free.

* Tolerance: The device manufacturer/supplier shall assure process compatibility up to and including the stated classification temperature at the rated MSL level.