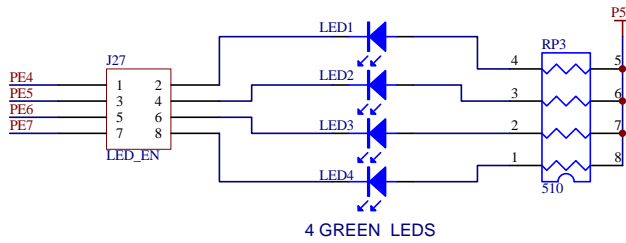
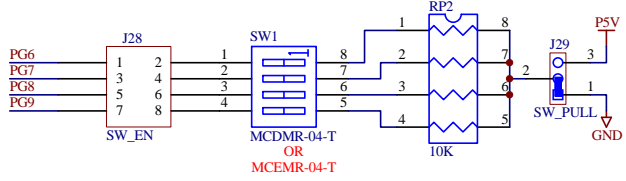
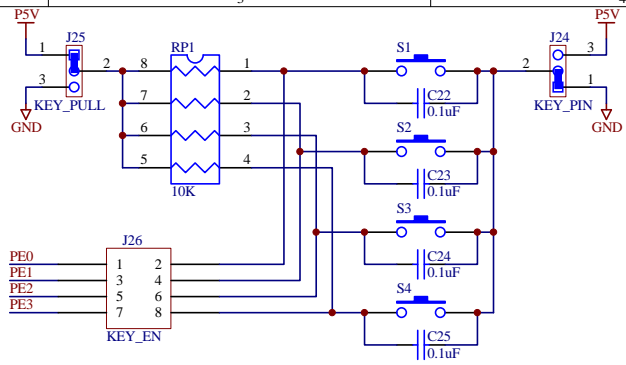
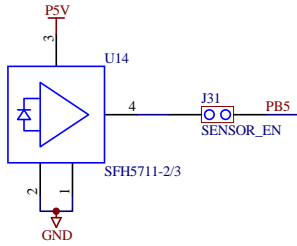


ANALOG INPUT

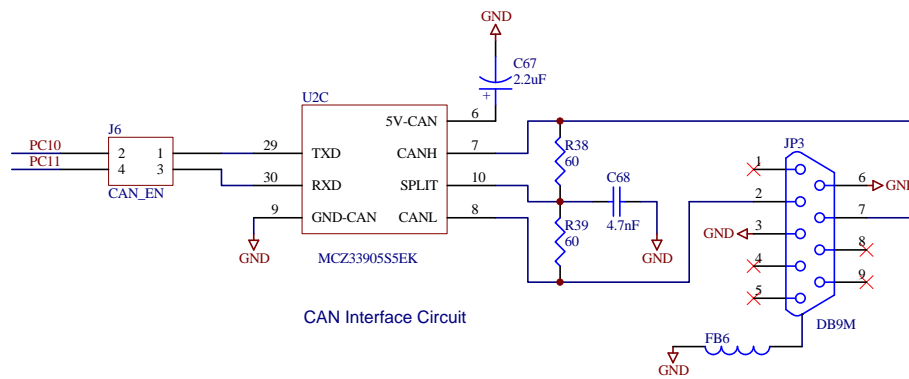


P&E Microcomputer Systems, Inc.
 98 Galen Street Floor 2
 Watertown
 MA 02472
 USA

TRK-MPC5604B Schematic - User IO

Size	FCSM No.	DWG No.	Rev
A			B

Scale	Sheet
	4 of 9

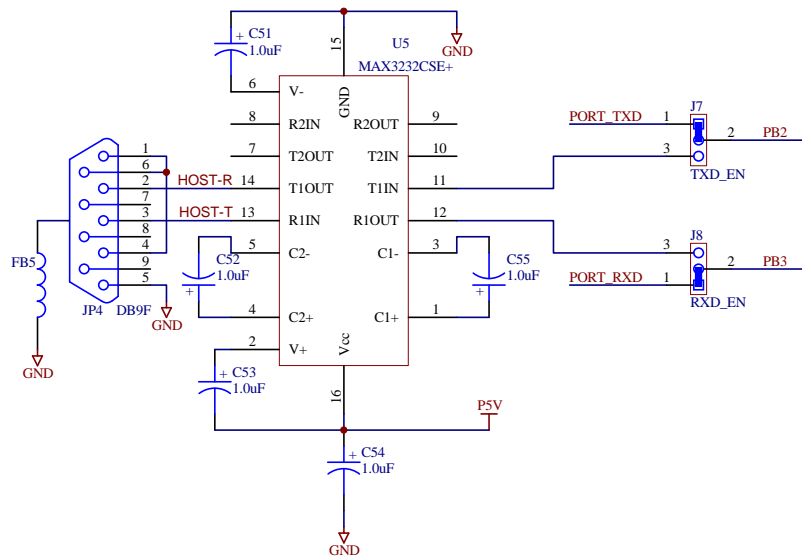


P&E Microcomputer Systems, Inc.
 98 Galen Street Floor 2
 Watertown
 MA 02472
 USA

TRK-MPC5604B Schematic - CAN

Size	FCSM No.	DWG No.	Rev
A			B

Scale	Sheet
	6 of 9

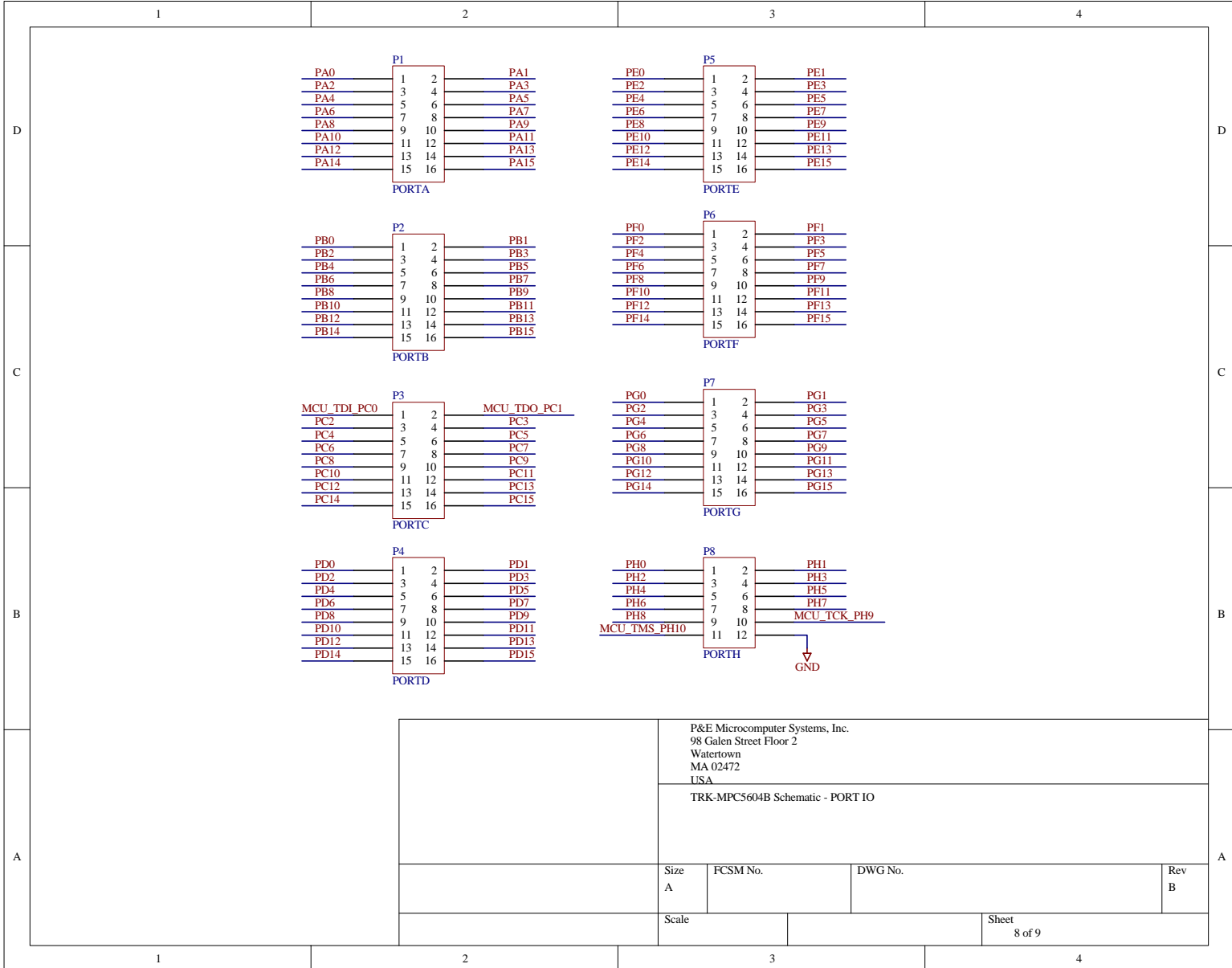


RS232 CIRCUITRY
DO NOT POPULATE

P&E Microcomputer Systems, Inc.
98 Galen Street Floor 2
Watertown
MA 02472
USA

TRK-MPC5604B Schematic - RS232

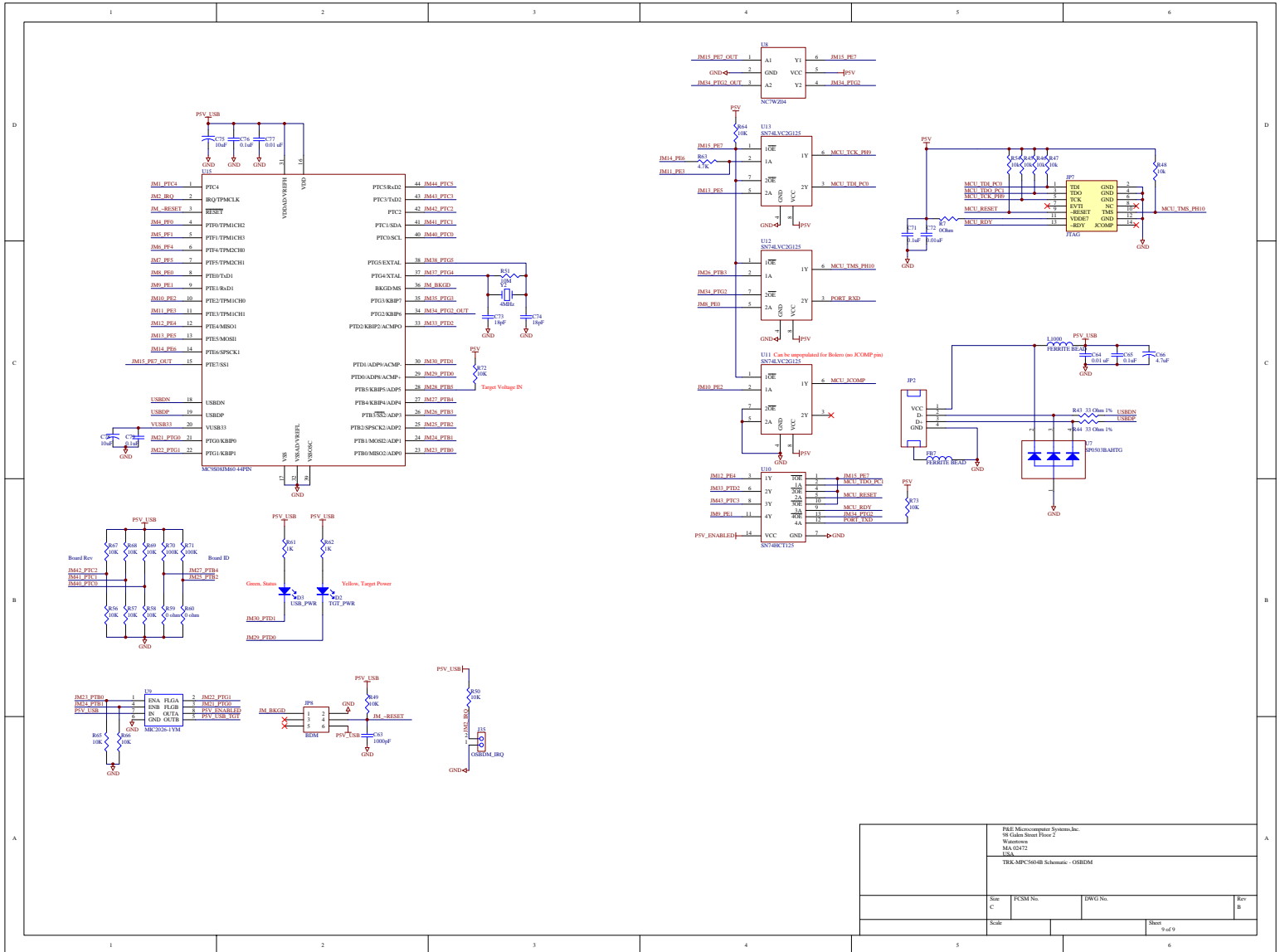
Size A	FCSM No.	DWG No.	Rev B
Scale	Sheet 7 of 9		



P&E Microcomputer Systems, Inc.
 98 Galen Street Floor 2
 Watertown
 MA 02472
 USA

TRK-MPC5604B Schematic - PORT IO

Size A	FCSM No.	DWG No.	Rev B
Scale	Sheet 8 of 9		



FAE Microcomputer Systems, Inc. 19 Glenview Plaza 2 Waukegan IL 60079 USA			
TRM-MPC5648B Schottky-Gate MOSFET Driver			
Size	FCSM No.	EWG No.	Rev B
Scale			Sheet 9 of 9

