

ZL6100EVAL1Z Evaluation Board

The ZL6100 is an integrated mixed-signal power conversion and management IC that combines an efficient step-down DC/DC converter with key power and thermal management functions in a single package. The ZL6100 incorporates current sharing and adaptive efficiency-optimization algorithms to provide a flexible, efficient power IC building block.

The ZL6100EVAL1Z platform is a 4-layer board demonstrating a 15A synchronous buck converter. Sequencing, tracking, margining, plus other features can be evaluated using this board.

A USB to SMBus adapter board can be used to connect the evaluation board to a PC. The PMBus command set is accessed by using the Zilker Labs PowerNavigator™ evaluation software from a PC running Microsoft Windows.

Key Features

- 15A Synchronous Buck Converter
- Optimized for Small Circuit Footprint and Dynamic Response
- Configurable through SMBus
- Onboard Enable Switch
- Power-Good Indicator

Ordering Information

PART NUMBER	DESCRIPTION
ZL6100EVAL1Z	ZL6100 Evaluation Kit (EVB, USB Adapter, Cable, Software)

Target Specifications

- $V_{IN} = 12V$
- $V_{OUT} = 1.2V/15A$ (20A max)
- $f_{sw} = 400kHz$
- Efficiency: 86% at 10A
- Output Ripple: $\pm 1\%$
- Dynamic Response: $\pm 3\%$
(50% to 100% to 50% load step, $di/dt = 2.5A/\mu s$)
- Board Temperature: $+25^{\circ}C$

Functional Description

The ZL6100EVAL1Z provides all circuitry required to demonstrate the features of the ZL6100. The ZL6100EVAL1Z has a functionally-optimized ZL6100 circuit layout that allows efficient operation up to the maximum output current. Power and load connections are provided through plug-in sockets.

A majority of the features of the ZL6100 such as soft-start delay and ramp times, supply sequencing, voltage tracking, and voltage margining are available on this evaluation board. For voltage tracking and sequencing evaluation, the board can be connected to any other Zilker Labs evaluation board that supports the Digital DC (DDC) bus.

Figure 1 shows a functional block diagram of the ZL6100EVAL1Z board. The SMBus address is selectable through a jumper on the top side of the board. All power to the board (V_{IN} and I²C bus) must be removed before changing the jumpers.

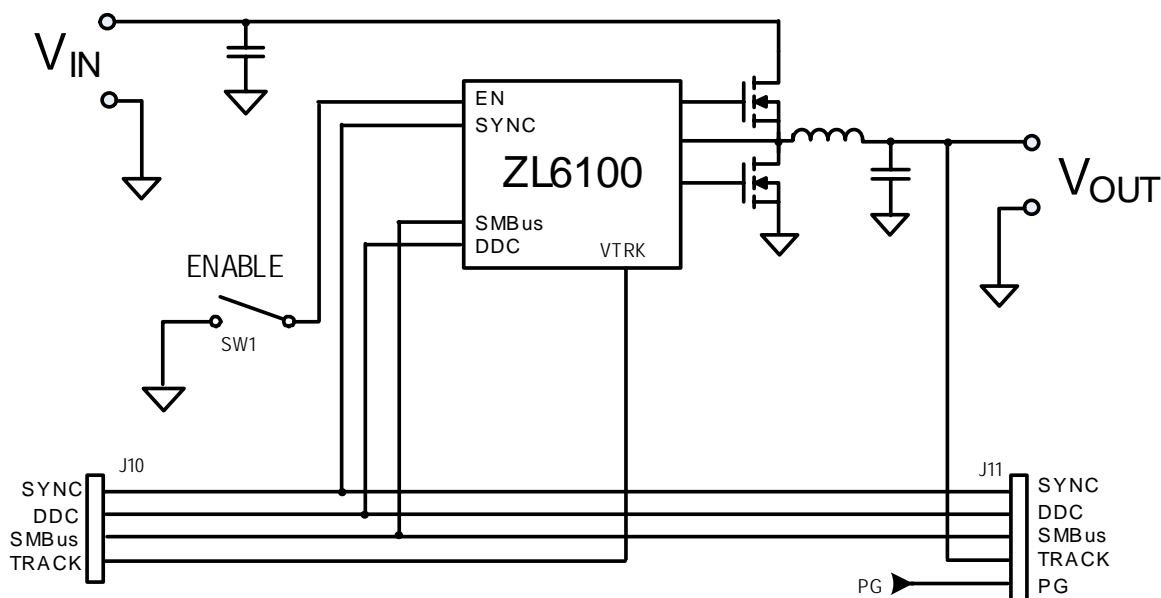


FIGURE 1. ZL6100EVAL1Z BLOCK DIAGRAM

The hardware enable function is controlled by a toggle switch on the ZL6100EVAL1Z board. The power-good (PG) LEDs indicate the correct state of PG when external power is applied to the ZL6100EVAL1Z board. The right angle headers at opposite ends of the board are for connecting a USB to SMBus adapter board or for daisy chaining of multiple evaluation boards.

Figure 2 shows the operational circuit. The circuit consists of the ZL6100 IC with its minimal component count to realize a 15A buck converter. The board layout has been optimized for thermal performance. Figure 3 is the board interface circuitry and Figures 4 through 8 demonstrate the PCB Board Layout, which includes the board fabrication notes.

The Bill of Materials (BOM) and configuration file are also included for reference beginning on page 10.

Operation

PMBus Operation

The ZL6100 utilizes the PMBus protocol. The PMBus functionality can be controlled via USB from a PC running the PowerNavigator evaluation software in a Windows XP or Windows 2000/NT operating system.

Install the evaluation software using the CD included in the ZL6100EVAL1Z kit.

For board operation, connect the included USB-to-SMBus adapter board to J10 of the ZL6100EVAL1Z board. Connect the desired load and an appropriate power supply to the input and connect the included USB cable to the PC running the PowerNavigator evaluation software. Place the ENABLE switch in "DISABLE" and turn on the power.

The evaluation software allows modification of all ZL6100 PMBus parameters. The ZL6100 device on the board has been pre-configured as described in this document, but the user may modify the operating parameters through the evaluation software or by loading a predefined scenario from a configuration file.

Use the mouse-over pop-ups for PowerNavigator help. Refer to Zilker Labs application note AN2033 for PMBus details.

The ENABLE switch can then be moved to "ENABLE" and the ZL6100EVAL1Z board can be tested. Alternately, the PMBus ON-OFF CONFIG and OPERATION commands may be used.

Quick Start Guide

Stand Alone Operation

1. Set ENABLE switch to "DISABLE"
2. Apply load to V_{OUT+}/V_{OUT-}
3. Connect the USB to SMBus adapter board to J10 of ZL6100EVAL1Z (Optional: provides power for onboard LED's so that LED power does not detract from efficiency measurement)
4. Connect supplied USB cable from computer to USB to SMBus adapter board (Optional: provides power for onboard LED's so that LED power does not detract from efficiency measurement)
5. Connect power supply to V_{IN+}/V_{IN-} (supply turned off)
6. Turn power supply on
7. Set ENABLE switch to "ENABLE"
8. Monitor ZL6100EVAL1Z board operation using an oscilloscope

USB (PMBus) Operation

1. Set ENABLE switch to "DISABLE"
2. Apply load to V_{OUT+}/V_{OUT-}
3. Connect power supply to V_{IN+}/V_{IN-} (supply turned off)
4. Turn power supply on
5. Insert the Zilker Labs Eval Kit CD
6. Connect USB to SMBus adapter board to J10 of ZL6100EVAL1Z
7. Connect supplied USB cable from computer to USB to SMBus adapter board.
 - Upon first-time connection, the Found New Hardware Wizard will appear.
 - Windows XP users: Select 'No' at prompt to search the Internet for drivers.
 - Follow the steps on the screen to install the drivers from the CD.
8. Install the PowerNavigator evaluation software by running setup.exe from the PowerNavigator_installer folder on the CD.
9. Set ENABLE switch on EVB to "ENABLE"
10. Monitor and configure the ZL6100EVAL1Z board using PMBus commands in the evaluation software
11. Test the ZL6100EVAL1Z operation using an oscilloscope and the evaluation software.

ZL6100EVAL1Z BOARD SCHEMATICS

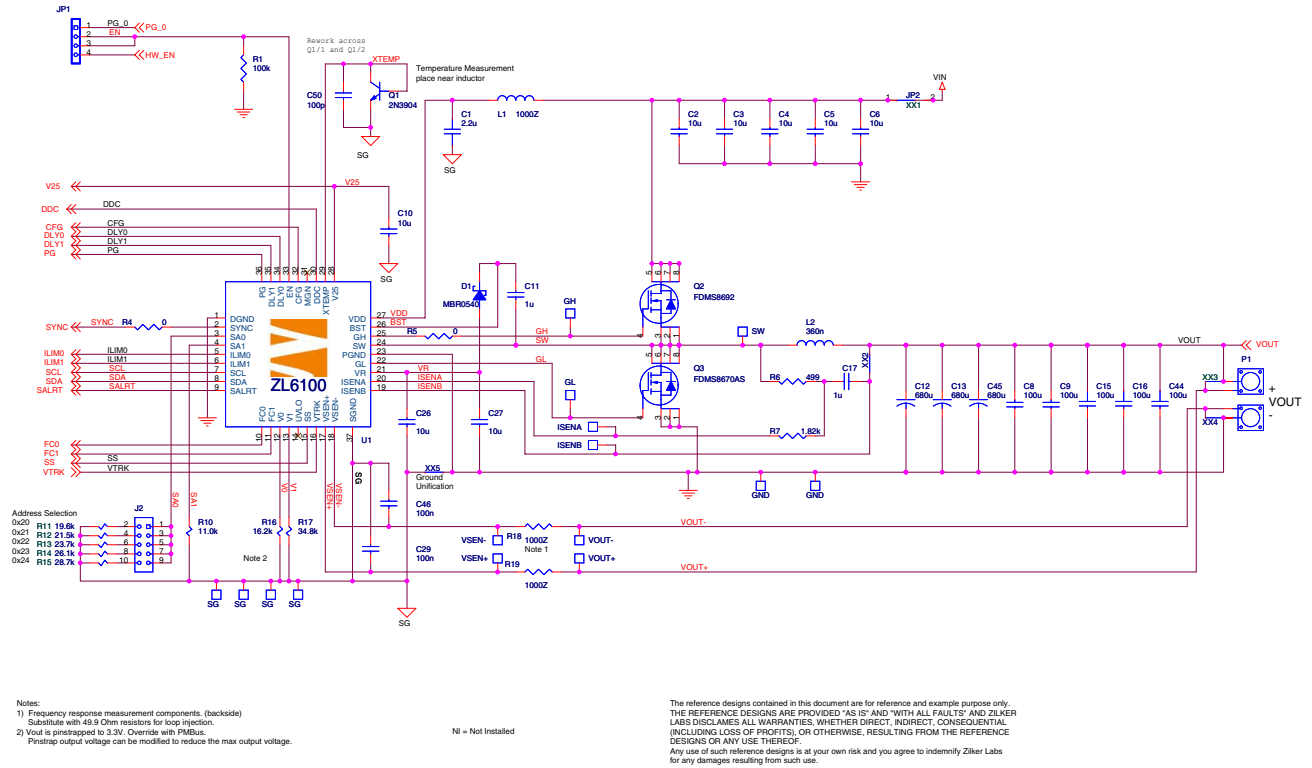
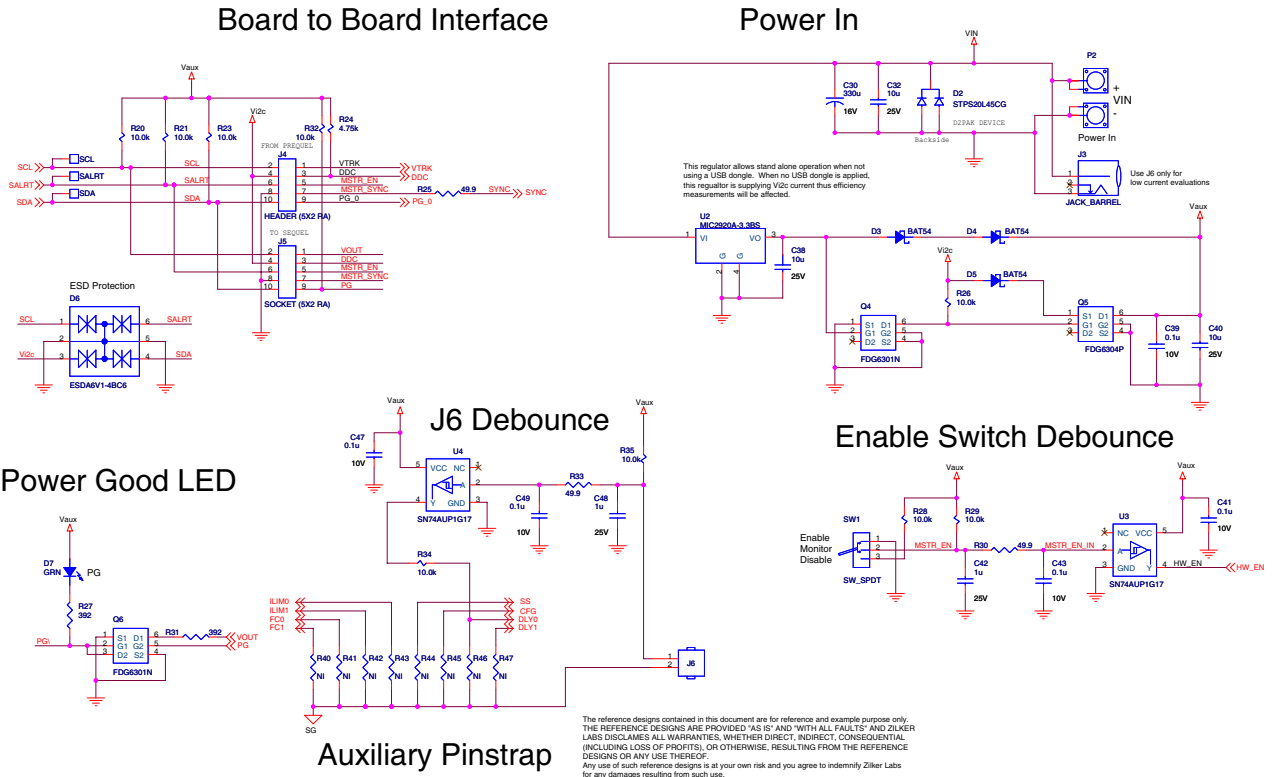


FIGURE 2. OPERATIONAL CIRCUIT

ZL6100EVAL1Z BOARD SCHEMATICS (Continued)



The reference designs contained in this document are for reference and example purpose only. THE REFERENCE DESIGNS ARE PROVIDED "AS IS" AND "WITH ALL FAULTS" AND ZILKER LABS DISCLAIMS ALL WARRANTIES, WHETHER DIRECT, INDIRECT, CONSEQUENTIAL, INCLUDING LOSS OF PROFITS, OR OTHERWISE, RESULTING FROM THE REFERENCE DESIGNS OR ANY USE THEREOF. Any use of such reference designs is at your own risk and you agree to indemnify Zilker Labs for any damages resulting from such use.

FIGURE 3. ZL6100EVAL1Z INTERFACE CIRCUITRY

ZL6100EVAL1Z BOARD LAYOUT - 4 LAYERS (Continued)

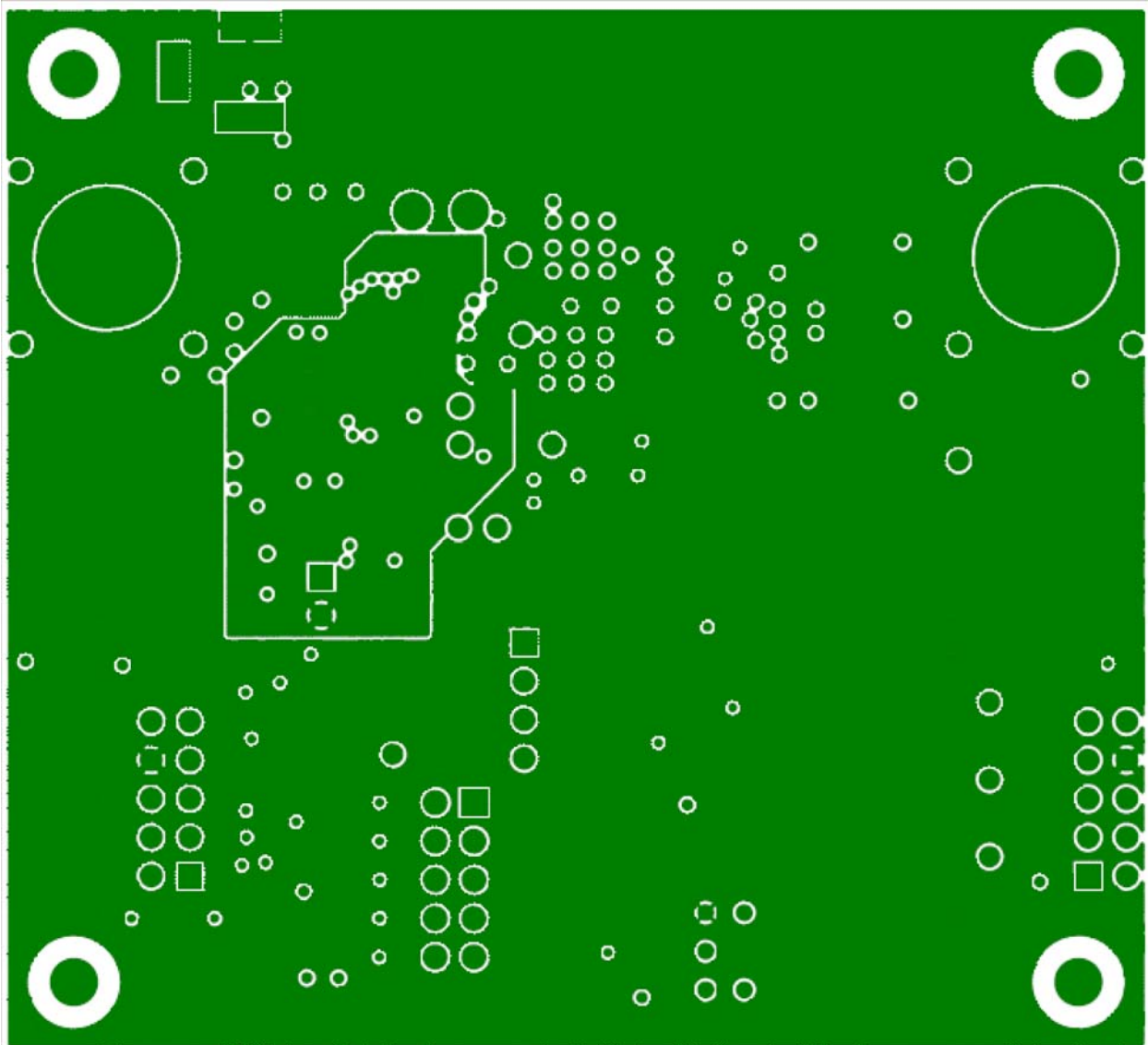


FIGURE 5. PCB - INNER LAYER 1 (TOP VIEW)

ZL6100EVAL1Z BOARD LAYOUT - 4 LAYERS (Continued)

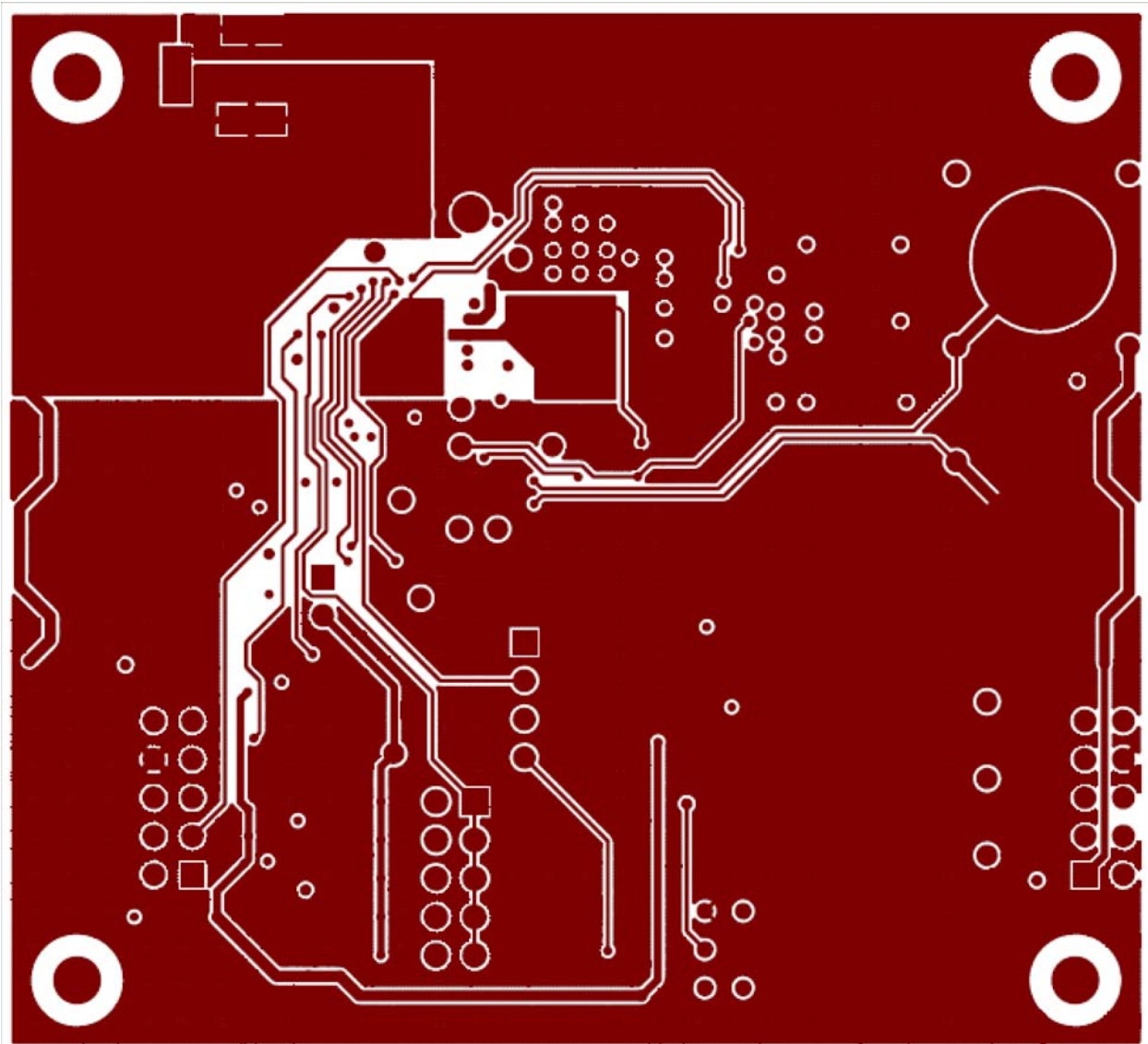


FIGURE 6. PCB - INNER LAYER 2 (TOP VIEW)

ZL6100EVAL1Z BOARD LAYOUT - 4 LAYERS (Continued)

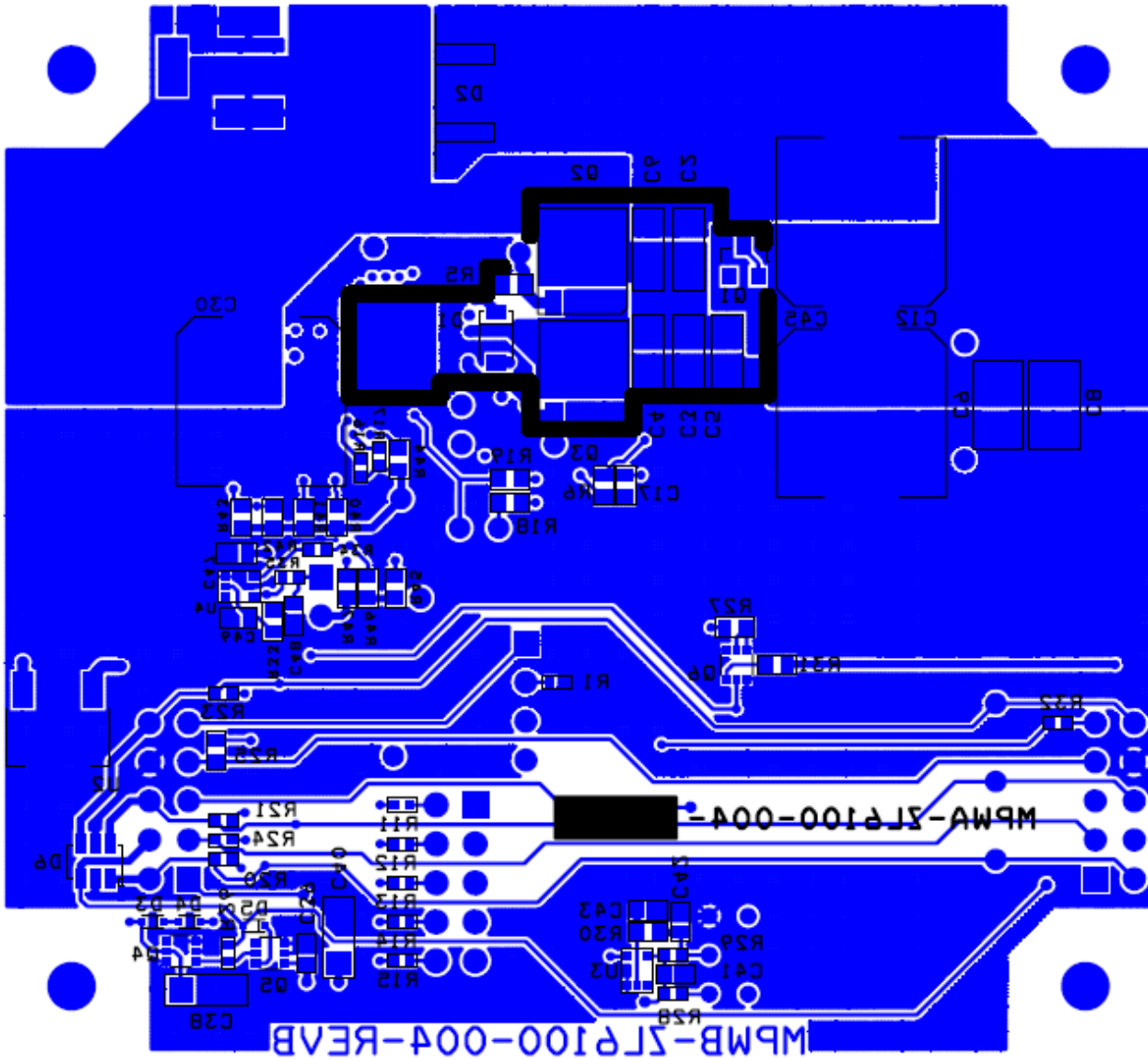


FIGURE 7. PCB - BOTTOM LAYER (TOP VIEW)

ZL6100EVAL1Z BOARD LAYOUT - 4 LAYERS (Continued)

NOTES UNLESS OTHERWISE SPECIFIED:

1. FABRICATE USING ARTWRK AND DRILL FILES PER TABLE BELOW.
2. FINISHED BOARDS MUST CONFORM TO ZILKER LABS QUALITY PROCEDURE SQAS-002-PCBREQ.
3. MATERIAL: NEMA GRADE FR-4; MINIMUM UL FLAMMABILITY RATING 94 V-0
BOARD LAYER SPACING
SPACING BETWEEN 1-2 = .013 TO .017
SPACING BETWEEN 3-4 = .013 TO .017
TOTAL BOARD THICKNESS = .062
4. COPPER THICKNESS SHALL BE 1 OZ. INNER LAYERS, 1 OZ. PLATED TO 2 OZ. OUTER LAYERS.
5. REFERENCE POINT 0,0 FOR DRILL FILE LISTING.
6. ALL HOLES PLATED THROUGH (UNLESS OTHERWISE NOTED). PLATING IN HOLES PER ZILKER LABS QUALITY PROCEDURE SQAS-002-PCBREQ.
7. BOARD COATING SHALL BE SOLDERMASK OVER BARE COPPER, HOT AIR SOLDER LEVELING.
8. SOLDERMASK PER ZILKER LABS QUALITY PROCEDURE SQAS-002-PCBREQ.
9. VENDOR IDENTIFICATION, UL COMPLIANCE AND DATE CODE TO BE PERMANENTLY AFFIXED AND LOCATED AS SHOWN, ON BOTTOM TRACE LAYER.
10. ELECTRICAL TEST MARK, ON BOTTOM TRACE LAYER, PER ZILKER LABS QUALITY PROCEDURE SQAS-002-PCBREQ.
11. FIDUCIALS TOP AND BOTTOM THESE LOCATIONS.
12. WARNING: THE MANUFACTURING PROCESSES AND THE MATERIALS ASSOCIATED WITH THIS PART MAY REQUIRE SPECIAL SAFETY PRECAUTIONS.

FIGURE 8. BOARD FABRICATION NOTES

Application Note 1493

Bill of Materials

PART NUMBER	QTY	UNIT	REFERENCE DESIGNATOR	DESCRIPTION	MANUFACTURER	MANUFACTURER PART
H1045-00101-100V5-T	1	ea	C50	CAP, SMD, 0603, 100pF, 100V, 5%, NPO, ROHS	PANASONIC	ECJ-1VC2A101J
H1045-00104-10V10-T	3	ea	C39, C41, C43	CAP, SMD, 0603, 0.01µF, 50V, 5%, X7R, ROHS	KEMET	C0603C104K8RACTU
H1045-00104-25V10-T	2	ea	C29, C46	CAP, SMD, 0603, 0.1µF, 25V, 10%, X7R, ROHS	MURATA	GRM39X7R104K025AD
H1045-00105-25V10-T	3	ea	C11, C17, C42	CAP, SMD, 0603, 1µF, 25V, 10%, X5R, ROHS	MURATA	GRM188R61E105KA12D
H1045-00106-6R3V20-T	3	ea	C10, C26, C27	CAP, SMD, 0603, 10µF, 6.3V, 20%, X5R, ROHS	TDK	C1608X5R0J106M
H1045-DNP	0	ea	C47, C48, C49	CAP, SMD, 0603, DNP-PLACE HOLDER, ROHS		
H1046-00225-16V10-T	1	ea	C1	CAP, SMD, 0805, 2.2µF, 16V, 10%, X5R, ROHS	PANASONIC	ECJ-2FB1C225K
H1065-00106-25V10-T	6	ea	C2, C3, C4, C32, C38, C40	CAP, SMD, 1206, 10µF, 25V, 10%, X5R, ROHS	VENKEL	C1206X5R250-106KNE
H1065-DNP	0	ea	C5, C6	CAP, SMD, 1206, DNP-PLACE HOLDER, ROHS		
H1082-00107-6R3V20-T	5	ea	C8, C9, C15, C16, C44	CAP, SMD, 1210, 100µF, 6.3V, 20%, X5R, ROHS	TDK	C3225X5R0J107M
APXA160ARA331MJC OG	1	ea	C30	CAP, SMD, 10x12, 330µF, 16V, 20%, 14mW, ALUM.ELEC., ROHS	NIPPON CHEMI-CON	APXA160ARA331MJC0G
APXA6R3ARA681MJC OG	2	ea	C12, C13	CAP, SMD, 10x12, 680µF, 6.3V, 20%, 10mW, ALUM.ELEC., ROHS	NIPPON CHEMI-CON	APXA6R3ARA681MJC0G
APXA6R3ARA681MJC OG	0	ea	DNP (C45)	CAP, SMD, 10x12, 680µF, 6.3V, 20%, 10mW, ALUM.ELEC., ROHS	NIPPON CHEMI-CON	APXA6R3ARA681MJC0G
IHLP4040DZERR36M 11	1	ea	L2	COIL-PWR INDUCTOR, SMD, 11.5x10.3, 0.36µH, 20%, 32A, ROHS	VISHAY	IHLP4040DZERR36M11
108-0740-001	4	ea	P1, P2 (2 EACH)	CONN-JACK, BANANA-SS-SDRLESS, VERTICAL, ROHS	JOHNSON COMPONENTS	108-0740-001
3-644456-4	1	ea	JP1	CONN-HEADER, 1x4, VERTICAL, TIN, WHT NYLON, ROHS	AMP/TYCO	3-644456-4
881545-2	2	ea	J2-Pins 1 and 2, JP1-Pins 3 and 4	CONN-JUMPER, SHUNT LP W/HANDLE, 2P, 2.54mm, BLK, ROHS	TYCO ELECTRONICS	881545-2
PJ-002A	1	ea	J3	CONN-POWER JACK, TH, 2.1mm, 16V@2.5A, BLK, R/A, ROHS	CUI, INC	PJ-002A
SSQ-105-02-T-D-RA	1	ea	J5	CONN-SOCKET STRIP, TH, 2x5, 2.54mm, TIN, R/A, ROHS	SAMTEC	SSQ-105-02-T-D-RA
TSW-102-07-F-S	0	ea	DNP (J6)	CONN-HEADER, 2x1, BRKAWY, 0.100, TH, GOLD FLASH, ROHS	SAMTEC	TSW-102-07-F-S
TSW-105-07-T-D	1	ea	J2	CONN-HEADER, 2x5, BRKAWY, 2.54mm, TIN, ROHS	SAMTEC	TSW-105-07-T-D
TSW-105-08-T-D-RA	1	ea	J4	CONN-HEADER, 2x5, BRKAWY, 2.54mm, TIN, R/A, ROHS	SAMTEC	TSW-105-08-T-D-RA
BAT54XV2T1G-T	3	ea	D3, D4, D5	DIODE-SCHOTTKY, SMD, 2P, SOD523, 30V, 200mA, ROHS	ON SEMICONDUCTOR	BAT54XV2T1G
MBR0540T1G-T	1	ea	D1	DIODE-RECTIFIER, SMD, SOD-123, 2P, 40V, 0.5A, ROHS	ON SEMICONDUCTOR	MBR0540T1G
STPS20L45CG	1	ea	D2	DIODE-RECTIFIER, SCHOTTKY, SMD, D2PAK, 45V, 10A, ROHS	STMICROELECTRONICS	STPS20L45CG
CMD17-21VGC/TR8-T	1	ea	D7	LED, SMD, 0805, GREEN, CLEAR, 10mcd, 2.1V, 20mA, 570nm, ROHS	CHICAGO MINIATURE	CMD17-21VGC/TR8
BLM18HD102SN1D-T	3	ea	L1, R18, R19	FERRITE CHIP, SMD, 0603, 1k, 100MHz, 50mA, ROHS	MURATA	BLM18HD102SN1D
ESDA6V1-4BC6	1	ea	D6	DIODE-TVS, ESD, QUAD BI-DIRECTIONAL, 6P, SOT23-6L, 80W, ROHS	STMICROELECTRONICS	ESDA6V1-4BC6
MIC2920A-3.3WS	1	ea	U2	IC-LDO REGULATOR, 4P, SOT-223, 3.3V, 400mA, ROHS	MICREL	MIC2920A-3.3WS
SN74AUP1G17DCKR	0	ea	DNP (U4)	IC-BUFFER, SCHMITT TRIGGER, 5P, SC-70-5, 3.6V, 4mA, ROHS	TEXAS INSTRUMENTS	SN74AUP1G17DCKR
SN74AUP1G17DCKR	1	ea	U3	IC-BUFFER, SCHMITT TRIGGER, 5P, SC-70-5, 3.6V, 4mA, ROHS	TEXAS INSTRUMENTS	SN74AUP1G17DCKR

Application Note 1493

Bill of Materials (Continued)

PART NUMBER	QTY	UNIT	REFERENCE DESIGNATOR	DESCRIPTION	MANUFACTURER	MANUFACTURER PART
ZL6100ALNFT	1	ea	U1	IC-DIGITAL DC/DC CONTROLLER, 36P, QFN, 6x6, ROHS	INTERSIL	ZL6100ALNFT
FDG6301N-T	2	ea	Q4, Q6	TRANSIST-MOS, DUAL N-CHANNEL, SMD, SC70-6, 25V, 220mA, ROHS	FAIRCHILD	FDG6301N
FDG6304P	1	ea	Q5	TRANSIST-MOS,DUAL P-CHANNEL, 6P, SC70-6, -25V, -0.41A, ROHS	FAIRCHILD	FDG6304P
FDMS8670AS	1	ea	Q3	TRANSISTOR-MOS, N-CHANNEL, 8P, POWER56, 30V, 42A, ROHS	FAIRCHILD	FDMS8670AS
FDMS8692	1	ea	Q2	TRANSISTOR-MOS, N-CHANNEL, 8P, POWER56, 30V, 28A, ROHS	FAIRCHILD	FDMS8692
MMBT3904LT1G-T	1	ea	Q1	TRANSISTOR, NPN, SOT-23, 3P, 40V, 0.2A, 0.35W, ROHS	ON SEMICONDUCTOR	MMBT3904LT1G-T
H2510-00R00-1/16W1-T	1	ea	R4	RES, SMD, 0402, 0Ω, 1/16Ω, 5%, TF, ROHS	VENKEL	CR0402-16W-00T
H2510-01002-1/16W1-T	7	ea	R20, R21, R23, R26, R28, R29, R32	RES, SMD, 0402, 10k, 1/16W, 1%, TF, ROHS	PANASONIC	ERJ-2RKF1002X
H2510-01003-1/16W1-T	1	ea	R1	RES, SMD, 0402, 100k, 1/16W, 1%, TF, ROHS	PANASONIC	ERJ2RKF1003
H2510-01102-1/16W1-T	1	ea	R10	RES, SMD, 0402, 11k, 1/16W, 1%, TF, ROHS	PANASONIC	ERJ-2RKF1102V
H2510-01622-1/16W1-T	1	ea	R16	RES, SMD, 0402, 16.2k, 1/16W, 1%, TF, ROHS	PANASONIC	ERJ-2RKF1622
H2510-01962-1/16W1-T	1	ea	R11	RES, SMD, 0402, 19.6k, 1/16W, 1%, TF, ROHS	PANASONIC	ERJ-2RKF1962
H2510-02152-1/16W1-T	1	ea	R12	RES, SMD, 0402, 21.5k, 1/16W, 1%, TF, ROHS	PANASONIC	ERJ-2RKF2152X
H2510-02372-1/16W1-T	1	ea	R13	RES, SMD, 0402, 23.7k, 1/16W, 1%, TF, ROHS	PANASONIC	ERJ-2RKF2372V
H2510-02612-1/16W1-T	1	ea	R14	RES, SMD, 0402, 26.1k, 1/16W, 1%, TF, ROHS	VENKEL	CR0402-16W-2612FT
H2510-02872-1/16W1-T	1	ea	R15	RES, SMD, 0402, 28.7k, 1/16W, 1%, TF, ROHS	PANASONIC	ERJ-2RKF2872X
H2510-03482-1/16W1-T	1	ea	R17	RES, SMD, 0402, 34.8k, 1/16W, 1%, TF, ROHS	PANASONIC	ERJ-2RKF3482
H2510-04751-1/16W1-T	1	ea	R24	RES, SMD, 0402, 4.75k, 1/16W, 1%, TF, ROHS	PANASONIC	ERJ-2RKF4751X
H2510-DNP	0	ea	R34, R35	RES, SMD, 0402, DNP, DNP, DNP, TF, ROHS		
H2511-00R00-1/10W1-T	1	ea	R5	RES, SMD, 0603, 0Ω, 1/10W, TF, ROHS	VENKEL	CR0603-10W-000T
H2511-01821-1/10W1-T	1	ea	R7	RES, SMD, 0603, 1.82k, 1/10W, 1%, TF, ROHS	PANASONIC	ERJ-3EKF1821V
H2511-03920-1/10W1-T	2	ea	R27, R31	RES, SMD, 0603, 392Ω, 1/10W, 1%, TF, ROHS	PANASONIC	ERJ-3EKF3920V
H2511-04990-1/10W1-T	1	ea	R6	RES, SMD, 0603, 499Ω, 1/10W, 1%, TF, ROHS	KOA	RK73H1JTTD4990F
H2511-049R9-1/10W1-T	2	ea	R25, R30	RES, SMD, 0603, 49.9Ω, 1/10W, 1%, TF, ROHS	VENKEL	CR0603-10W-49R9FT
H2511-DNP	0	ea	R33, R40-R47	RES, SMD, 0603, DNP-PLACE HOLDER, ROHS		
G13AP-RO	1	ea	SW1 (Note 1)	SWITCH-TOGGLE, THRU-HOLE, 5P, SPDT, 3POS, ON-OFF-ON, ROHS	NKK	G13AP-RO
4-40x1/4-SCREW-SS	4	ea		SCREW, 4-40x1/4in, PAN, SS, PHILLIPS		
4-40x3/4-STANDOFF-METAL	4	ea		STANDOFF, 4-40x3/4in, F/F, HEX, ALUMINUM, ROHS	KEYSTONE	2204 (0.250 OD)
VC-234-8	4	ea	P1, P2 (COVER BOTTOMS OF POST ENDS)	CAPLUG-ROUND VINYL CLOSURE, FLEXIBLE, 0.5x0.234, ROHS	CAPPLUGS	VC-234-8

NOTE:

- DO NOT CLEAN-INSTALL AFTER ASSY.

Measured Data

The following data was acquired using a ZL6100EVAL1Z Rev 2 evaluation board. Adaptive diode emulation and adaptive frequency modes are disabled for these efficiency measurements.

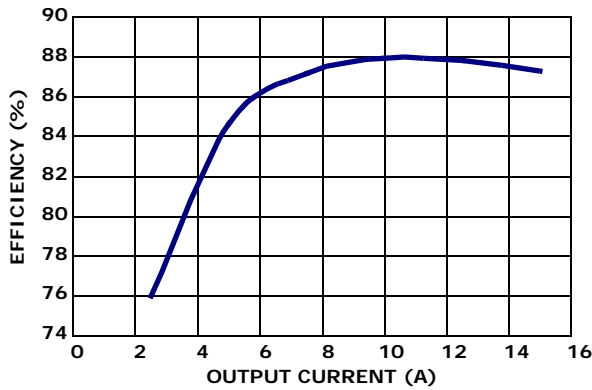


FIGURE 9. EFFICIENCY, $V_{IN} = 12V$, $V_{OUT} = 1.2V$

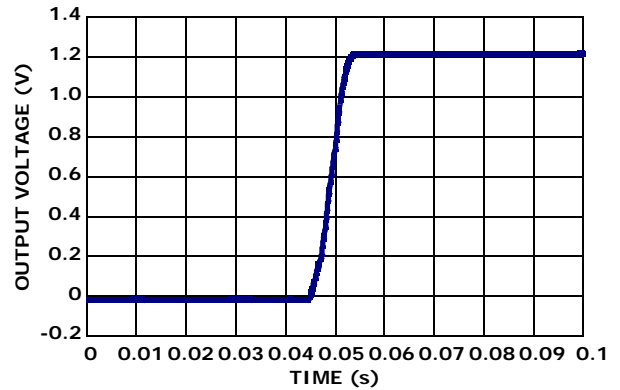


FIGURE 10. RAMP UP

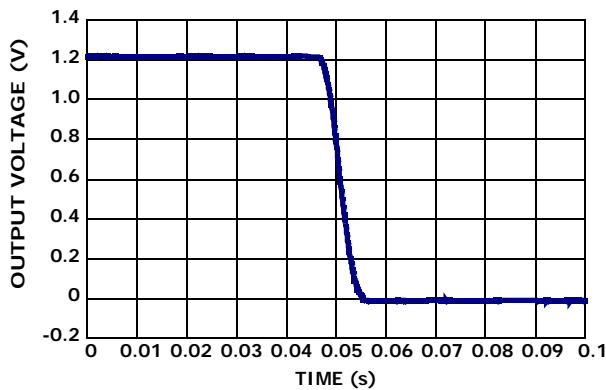


FIGURE 11. RAMP DOWN

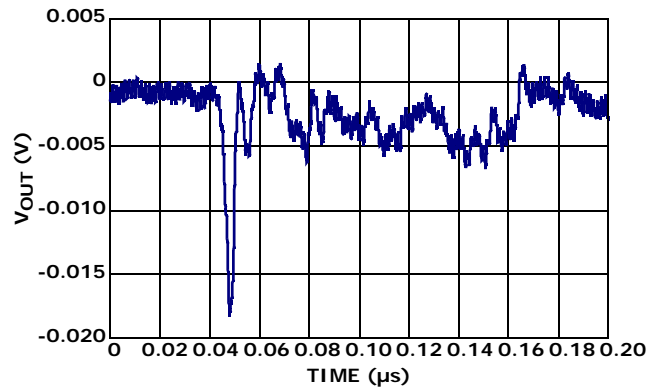


FIGURE 12. DYNAMIC RESPONSE, 7A TO 15A LOAD STEP

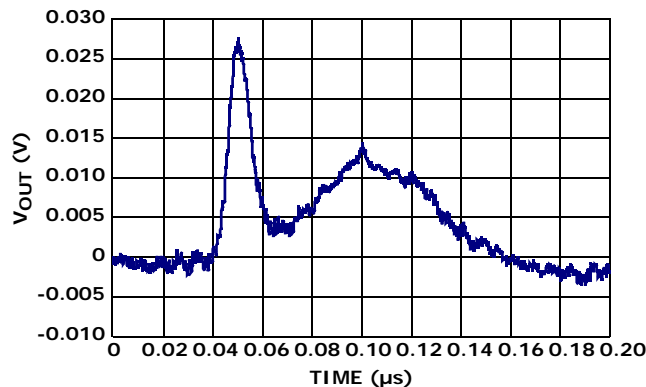


FIGURE 13. DYNAMIC RESPONSE, 15A TO 7A LOAD STEP

- [2] ZL6100 Data Sheet, Zilker Labs, Inc., 2008.
- [3] AN2033 – PMBus™ Command Set, Zilker Labs, Inc., 2008.

Application Note 1493

Revision History

The revision history provided is for informational purposes only and is believed to be accurate, but not warranted. Please go to web to make sure you have the latest Rev.

DATE	REVISION	CHANGE
08/14/09	AN1493.0	Converted to new Intersil template from Word document.

Intersil Corporation reserves the right to make changes in circuit design, software and/or specifications at any time without notice. Accordingly, the reader is cautioned to verify that the Application Note or Technical Brief is current before proceeding.

For information regarding Intersil Corporation and its products, see www.intersil.com
