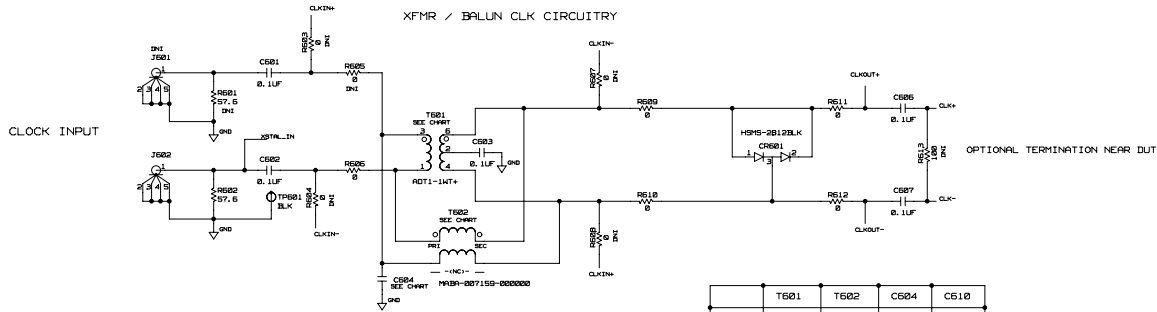
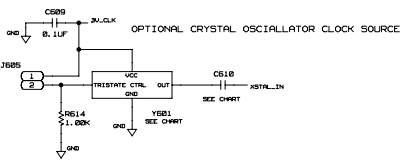


REVISIONS			
REV	DESCRIPTION	DATE	APPROVED



	T601	T602	C684	C610
AD9268	DNI	INSTALL	100PF	DNI
AD9251	INSTALL	DNI	0 OHM	0.1UF



CRYSTAL Y601 TO MATCH PRODUCT SPEED GRADE  
(X - AVAILABLE SPEED GRADE)

	20MHZ	40MHZ	65MHZ	80MHZ	105MHZ	125MHZ
AD9204	X	X	X	X		
AD9231	X	X	X	X		
AD9251	X	X	X	X		
AD9268	X	X	X	X		
AD9268				X	X	X
AD9258				X	X	X
AD6659				X		
AD6658				X	X	X

	SCHEMATIC		
	AD9268 / AD9251 CUSTOMER EVAL		
<small>NOT RELEASED TO THE EXTENT OF OTHER RIGHTS AND IS THE PROPERTY OF ANALOG DEVICES. THIS DOCUMENT IS UNCLASSIFIED EXCEPT WHERE SHOWN OTHERWISE. ALL RIGHTS ARE RESERVED. ANALOG DEVICES, ANALOG DEVICES LOGO, AND THE ANALOG DEVICES LOGO ARE REGISTERED TRADEMARKS OF ANALOG DEVICES. ALL OTHER TRADEMARKS ARE THE PROPERTY OF THEIR RESPECTIVE OWNERS.</small>	DESIGN VIEW (DESIGN VIEW)	DRAWING NO. 9268CE01C	REV C
RFP ENGINEER (PTL ENGINEER)	SIZE D	SCALE -	SHEET 7 OF 10

