

4

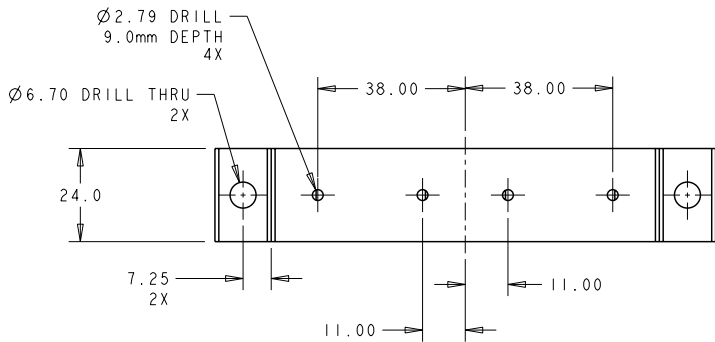
3

2

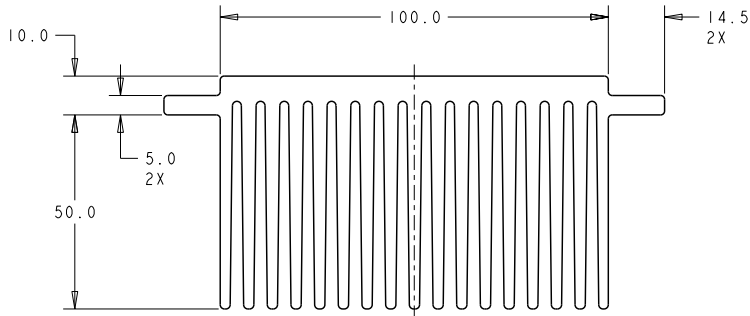
1

THIS DRAWING IS UNPUBLISHED. RELEASED FOR PUBLICATION 20
 BY TYCO ELECTRONICS CORPORATION. ALL INTERNATIONAL RIGHTS RESERVED.

LOC	DIST	REVISIONS				
P	LTR	DESCRIPTION	DATE	DWN	APVD	
1		PROPOSED	14SEP2010	CD	MM	
2		DRILL DEPTH CHANGED TO 9.0	01DEC2010	CD	MM	



△ MATERIAL:
 -HEAT SINK: ALUMINUM
 2. MUST COMPLY WITH DIRECTIVE 2002/95/EC (ROHS)



TYCO ELECTRONICS
 CONFIDENTIAL
 AND PROPRIETARY

PROPOSED DESIGN
 NOT PRODUCTION TOOLED

DESIGN IS SUBJECT TO
 CHANGE WITHOUT NOTICE

2154168-1
 PART NUMBER

<small>THIS DRAWING IS A CONTROLLED DOCUMENT FOR TYCO ELECTRONICS CORPORATION IT IS SUBJECT TO CHANGE AND THE CONTROLLING ENGINEERING ORGANIZATION SHOULD BE CONTACTED FOR THE LATEST REVISION.</small>		DWN 14SEP2010 C. DAILY CHK MOSTOLLER 14SEP2010 APVD -	Tyco Electronics Corporation Harrisburg, PA 17105-3608
DIMENSIONS: mm 	TOLERANCES UNLESS OTHERWISE SPECIFIED: 0 PLC ±- 1 PLC ±0.2 2 PLC ±0.13 3 PLC ±- 4 PLC ±- ANGLES 45°	NAME PRODUCT SPEC APPLICATION SPEC WEIGHT CUSTOMER DRAWING	HEAT SINK, 24 X 100 BOARD SIZE CAGE CODE DRAWING NO A3 00779 C-2154168 RESTRICTED TO
MATERIAL	FINISH	SCALE	SHEET OF REV