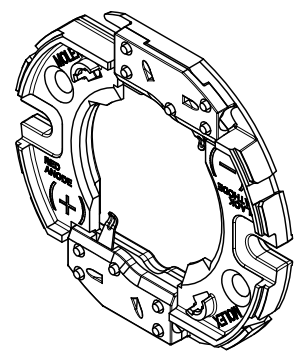
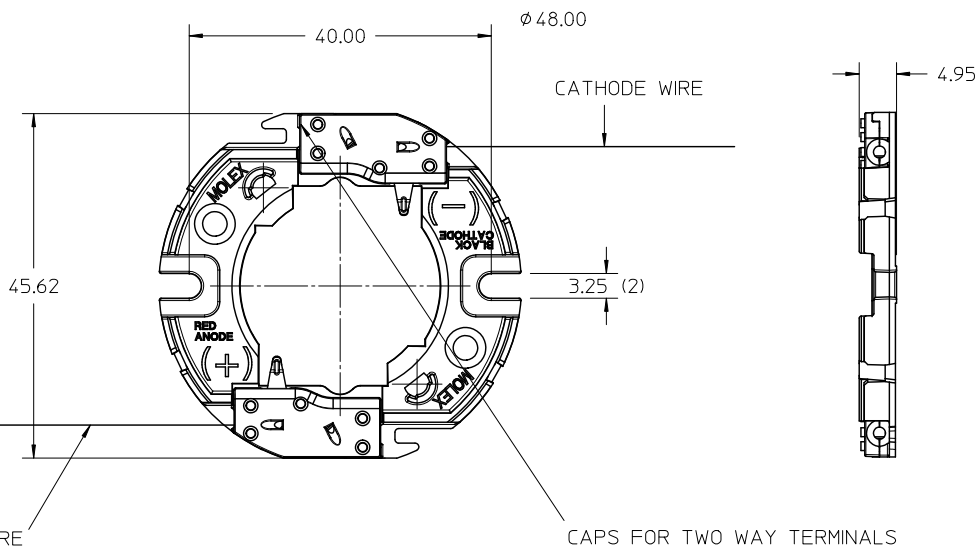


10 9 8 7 6 5 4 3 2 1

F  
E  
D  
C  
B  
A



NOTE: VIEWS SHOWN WITH BRIDGELUX LED AND OPTIONAL 18 GAUGE WIRES

ANODE WIRE

CAPS FOR TWO WAY TERMINALS

<b>ENTER DESCRIPTION</b> EC NO: SSL2011-0062 DRAWN: CCARRANZA 2010/12/20 CHKD: CHYKD APPR: DMCGOWAN 2011/02/22 DESCRIPTION	QUALITY SYMBOLS	GENERAL TOLERANCES (UNLESS SPECIFIED) <table border="1"> <tr> <th></th> <th>mm</th> <th>INCH</th> </tr> <tr> <td>4 PLACES</td> <td>± ---</td> <td>± ---</td> </tr> <tr> <td>3 PLACES</td> <td>± ---</td> <td>± ---</td> </tr> <tr> <td>2 PLACES</td> <td>± 0.13</td> <td>± ---</td> </tr> <tr> <td>1 PLACE</td> <td>± 0.25</td> <td>± ---</td> </tr> <tr> <td colspan="3">ANGULAR ±1/2°</td> </tr> </table>		mm	INCH	4 PLACES	± ---	± ---	3 PLACES	± ---	± ---	2 PLACES	± 0.13	± ---	1 PLACE	± 0.25	± ---	ANGULAR ±1/2°			DIMENSION STYLE	SCALE	DESIGN UNITS	THIRD ANGLE PROJECTION
			mm	INCH																				
	4 PLACES		± ---	± ---																				
	3 PLACES		± ---	± ---																				
2 PLACES	± 0.13	± ---																						
1 PLACE	± 0.25	± ---																						
ANGULAR ±1/2°																								
	▽=0	MM ONLY	2:1	METRIC	☉	TITLE																		
	▽=0	DRAWN BY	DATE	LED HOLDER FOR BRIDGELUX																				
	▽=0	CCARRANZA	2010/08/24	MATERIAL NO. 1801500000																				
		CHECKED BY	DATE	DOCUMENT NO. SD-180150-000																				
		APPROVED BY	DATE	SHEET NO. 1 OF 3																				
		DMCGOWAN	2010/10/12	THIS DRAWING CONTAINS INFORMATION THAT IS PROPRIETARY TO MOLEX INCORPORATED AND SHOULD NOT BE USED WITHOUT WRITTEN PERMISSION																				
2	REV	DRAFT WHERE APPLICABLE MUST REMAIN WITHIN DIMENSIONS																						

lb\_frame\_B\_P\_AM\_T Rev. F 2009/06/18

10 9 8 7 6 5 4 3 2 1

F

E

D

C

B

A

F

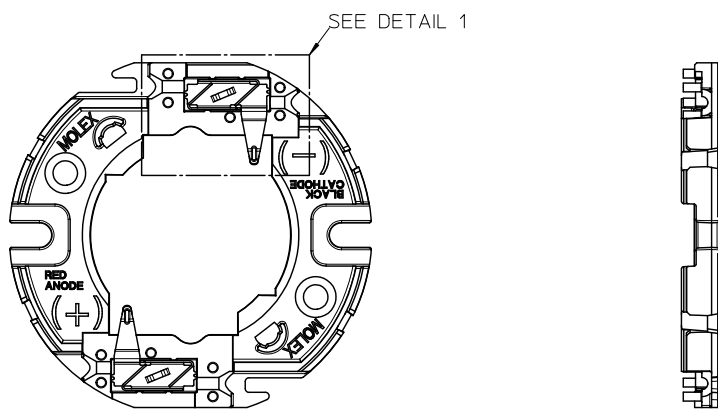
E

D

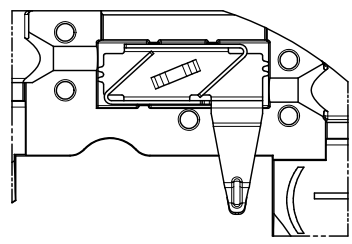
C

B

A



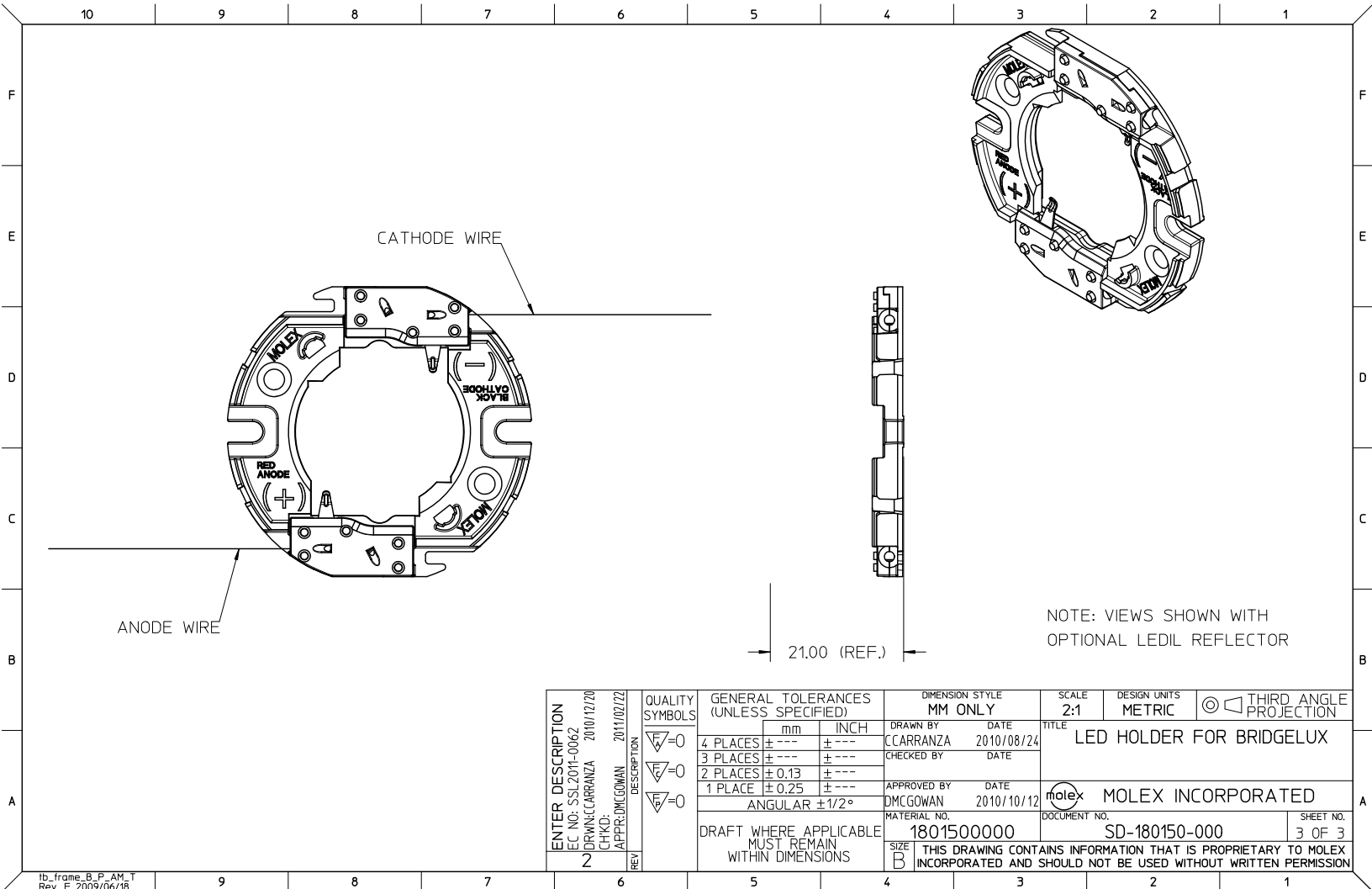
DETAIL VIEW OF TWO-WAY WIRE TRAP



DETAIL 1  
SCALE 4:1

NOTE: WIRE TRAPS CAN ACCOMMODATE EITHER 18 OR 20 GAUGE WIRE

<b>ENTER DESCRIPTION</b> EC NO: SSL2011-0062 DRAWN BY: CCARRANZA 2010/12/20 CHKD: CHYKD APPR: DMCGOWAN 2011/02/22 DESCRIPTION	QUALITY SYMBOLS	GENERAL TOLERANCES (UNLESS SPECIFIED)		DIMENSION STYLE MM ONLY		SCALE 2:1	DESIGN UNITS METRIC	THIRD ANGLE PROJECTION	
	▽=0	mm	INCH	DRAWN BY	DATE	TITLE LED HOLDER FOR BRIDGELUX			
	▽=0	4 PLACES ± --- ± ---	3 PLACES ± --- ± ---	CCARRANZA	2010/08/24	MATERIAL NO. 1801500000			
	▽=0	2 PLACES ± 0.13 ± ---	1 PLACE ± 0.25 ± ---	CHECKED BY	DATE	DOCUMENT NO. SD-180150-000			
		ANGULAR ± 1/2°		APPROVED BY	DATE	SHEET NO. 2 OF 3			
		DRAFT WHERE APPLICABLE MUST REMAIN WITHIN DIMENSIONS		DMCGOWAN	2010/10/12	THIS DRAWING CONTAINS INFORMATION THAT IS PROPRIETARY TO MOLEX INCORPORATED AND SHOULD NOT BE USED WITHOUT WRITTEN PERMISSION			



<b>ENTER DESCRIPTION</b> EC NO: SSL2011-0062 DRAWN: CCARRANZA 2010/12/20 CHKD: DMCGOWAN APPR: DMCGOWAN 2011/02/22	QUALITY SYMBOLS	GENERAL TOLERANCES (UNLESS SPECIFIED)		DIMENSION STYLE MM ONLY		SCALE 2:1	DESIGN UNITS METRIC	THIRD ANGLE PROJECTION	
	▽=0	mm	INCH	DRAWN BY CCARRANZA	DATE 2010/08/24	TITLE LED HOLDER FOR BRIDGELUX			
	▽=0	4 PLACES ± --- ± ---		CHECKED BY	DATE	APPROVED BY DMCGOWAN			
	▽=0	3 PLACES ± --- ± ---				DATE 2010/10/12			
		2 PLACES ± 0.13 ± ---		MATERIAL NO. 1801500000		DOCUMENT NO. SD-180150-000		SHEET NO. 3 OF 3	
		1 PLACE ± 0.25 ± ---		SIZE B		THIS DRAWING CONTAINS INFORMATION THAT IS PROPRIETARY TO MOLEX INCORPORATED AND SHOULD NOT BE USED WITHOUT WRITTEN PERMISSION			
		ANGULAR ± 1/2°	DRAFT WHERE APPLICABLE MUST REMAIN WITHIN DIMENSIONS						