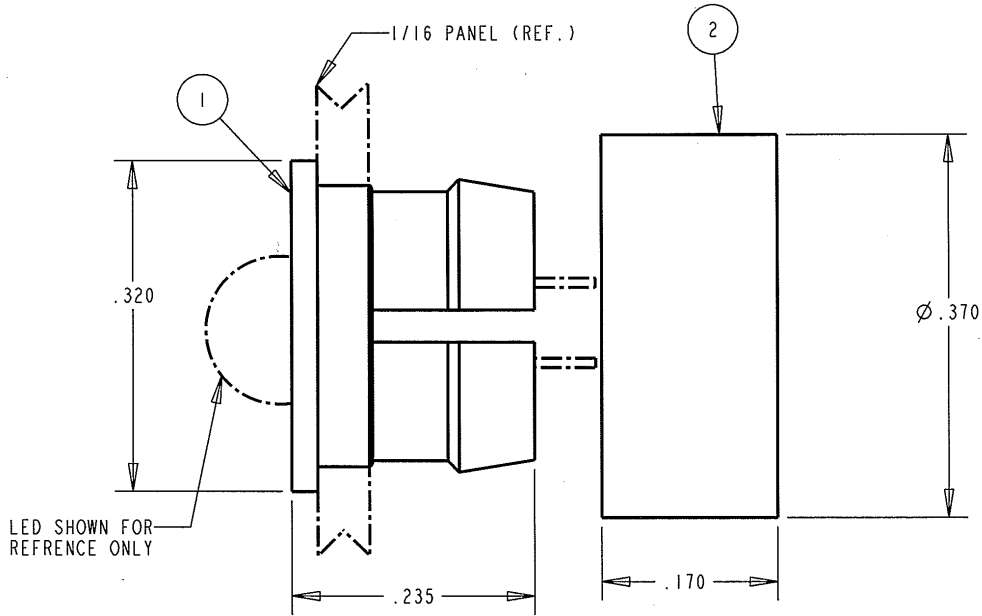


RoHS Compliant 515-0005F

Part Numbers with the "F" suffix ending are RoHS Compliant. Packaging is marked with "RoHS Compliant" label or equivalent markings.

Parts can be wave soldered, dip soldered or hand soldered using typical lead-free soldering process with max 260°C temp. for 5 sec.

REV	ECN NO	REVISIONS	DRN	CKD	APP	DATE
A	—	NEW RELEASE	CE	7/8/07	[Signature]	3-5-07



NOTES:

1. RECOMMENDED MOUNTING HOLE= .265
2. ALL DIMENSIONS ±.015 UNLESS OTHERWISE SPECIFIED
3. DIALIGHT PART NUMBER: 515-0005F

THIS DRAWING AND THE CONTENTS HEREIN ARE CONFIDENTIAL AND THE SOLE PROPERTY OF DIALIGHT. REPRODUCTION OF THIS DRAWING OR CONSTRUCTION OF ANY PARTS WITHIN THIS DRAWING ARE FORBIDDEN WITHOUT THE WRITTEN CONSENT OF DIALIGHT.

SCALE: 7.000	DRAWING NUMBER	REV
ALL DIM'S IN: INCHES (MM)	C-17480	A
TOLERANCES: UNLESS OTHERWISE SPECIFIED	TITLE ASSEMBLY RoHS COMPLIANT	
FRACTIONS: ±1/64 DECIMALS (.XX): ±.01 DECIMALS (.XXX): ±.005 DECIMALS (.XXXX): ±.0005 ANGLES: ±1°	MATERIAL	
FINISH:	Dialight 1501 ROUTE 34 SOUTH FARMINGDALE, NJ 07727	
FSCM 83330		

ITEM	QTY	DESCRIPTION
2	1	RING
1	1	ADAPTER "A"