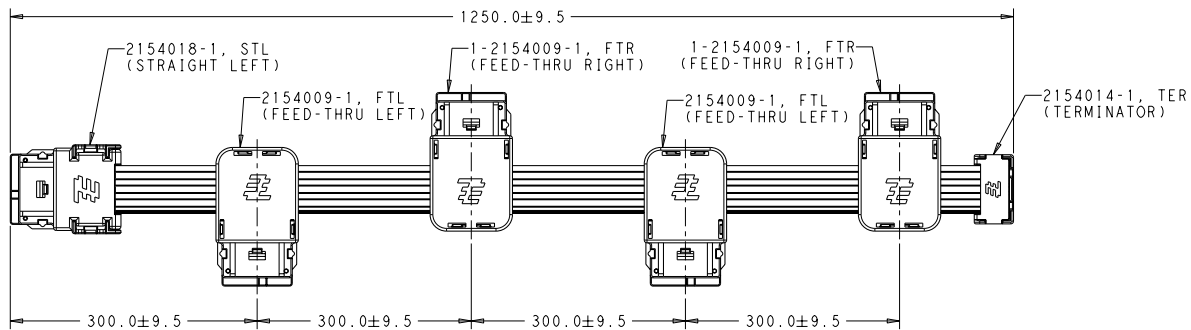


4 3 2 1

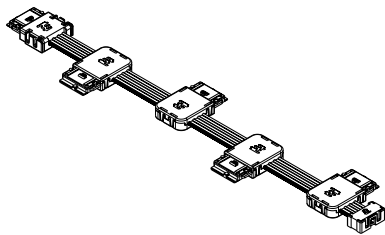
THIS DRAWING IS UNPUBLISHED. RELEASED FOR PUBLICATION BY TYCO ELECTRONICS CORPORATION. ALL INTERNATIONAL RIGHTS RESERVED. COPYRIGHT 20

REVISONS		DATE	BY	APPROV
1	DRAWN	07OCT2010	RB	BC
2	REMOVED -3, -4 AND -6 PINS	17NOV2010	RB	BC

- MATERIALS
CONNECTOR HOUSING: GLASS FILLED PBT
CONTACTS: COPPER ALLOY, FINISH-TIN
CABLE: PVC - UL2651
- MUST COMPLY WITH DIRECTIVE 2002/95/EC (ROHS)
- BULK PAKAGING
- THIS PRODUCT HAS NOT COMPLETED VALIDATION TESTING



2154243-1 SHOWN



SCALE 1:1

TYCO ELECTRONICS
CONFIDENTIAL
AND PROPRIETARY

PROPOSED DESIGN
NOT PRODUCTION TOOLED

DESIGN IS SUBJECT TO
CHANGE WITHOUT NOTICE

ORANGE	2154243-1
COLOR	PART NUMBER

<small>THIS DRAWING IS UNPUBLISHED. RELEASED FOR PUBLICATION BY TYCO ELECTRONICS CORPORATION. ALL INTERNATIONAL RIGHTS RESERVED. COPYRIGHT 20</small>		DWN 07OCT2010 R. BROWN CHK 07OCT2010 B. CHANEY	Tyco Electronics Corporation Harrisburg, PA 17105-3608
DIMENSIONS: mm	TOLERANCES UNLESS OTHERWISE SPECIFIED: DECIMALS: .15 ANGLES: .5	PRODUCT SPEC: 108-2442 APPLICATION SPEC: 114-13290	NAME: CABLE ASSEMBLY, STL TO FTL TO FTR TO FTL TO FTR TO TER, NEVALO SHEET CASE CODE DRAWING NO: A200779 ©-2154243
MATERIAL: - FINISH: -	WEIGHT: - CUSTOMER DRAWING: -	RESTRICTED TO: - SCALE: 2:1	SHEET 1 OF 1 REV 2