

4

3

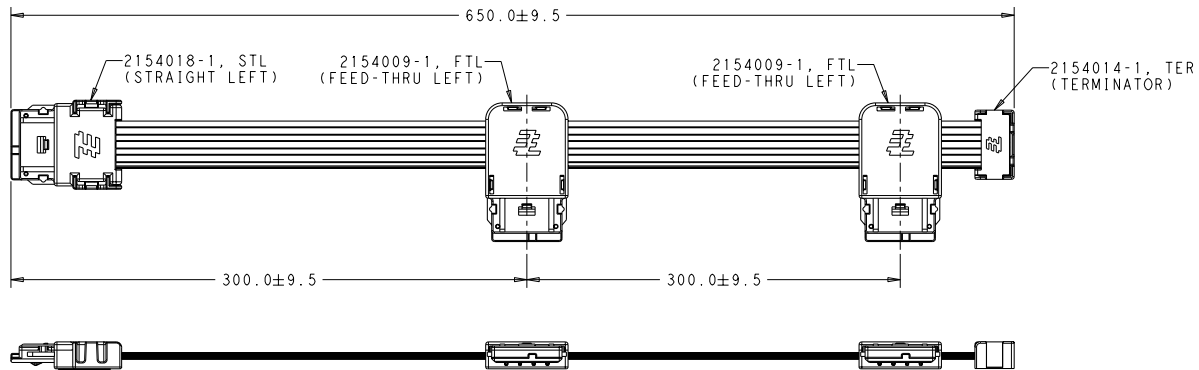
2

1

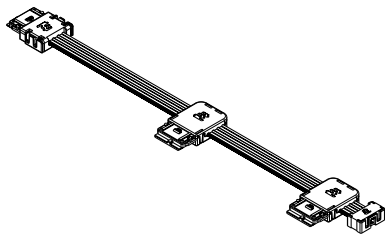
THIS DRAWING IS UNPUBLISHED. BY TYCO ELECTRONICS CORPORATION. ALL INTERNATIONAL RIGHTS RESERVED.

REVISONS		DATE	BY	APPROV
1	DRAWN	07OCT2010	RB	BC
2	REMOVED -4 AND -6 PINS	17NOV2010	RB	BC

- MATERIALS
CONNECTOR HOUSING: GLASS FILLED PBT
CONTACTS: COPPER ALLOY, FINISH-TIN
CABLE: PVC - UL2651
- MUST COMPLY WITH DIRECTIVE 2002/95/EC (ROHS)
- BULK PAKAGING
- THIS PRODUCT HAS NOT COMPLETED VALIDATION TESTING



2154173-1 SHOWN



SCALE 1:1

TYCO ELECTRONICS
CONFIDENTIAL
AND PROPRIETARY

PROPOSED DESIGN
NOT PRODUCTION TOOLED

DESIGN IS SUBJECT TO
CHANGE WITHOUT NOTICE

RED	2154173-3
ORANGE	2154173-1
COLOR	PART NUMBER

TYCO ELECTRONICS CORPORATION		OWN	07OCT2010	Tyco Electronics Corporation Harrisburg, PA 17105-3608	
DIMENSIONS:		DESIGNER	R. BROWN	NAME	
mm		CHECKER	B. CHANEY	CABLE ASSEMBLY, STL TO FTL TO FTL TO TER, NEVALO	
TOLERANCES UNLESS OTHERWISE SPECIFIED:		PRODUCT SPEC	108-2442	SIZE	
0 PLC	±.0	APPLICATION SPEC	114-13290	CASE CODE	
1 PLC	±.0	WEIGHT	-	DRAWING NO	
2 PLC	±.0	MATERIAL	-	A200779	
3 PLC	±.0	FINISH	-	C-2154173	
4 PLC	±.0	CUSTOMER DRAWING	-	SCALE 2:1	
5 PLC	±.0			SHEET 1 OF 1	
6 PLC	±.0			REV 2	
ANGLES	±.0				