

# SG6846

## Highly Integrated Green-Mode PWM Controller

### Features

- Low Startup Current: 8µA
- Low Operating Current: 3.7mA
- Peak-Current Mode of Operation with Cycle-by-Cycle Current Limiting
- PWM Frequency Continuously Decreasing with Burst Mode at Light Loads
- V<sub>DD</sub> Over-Voltage Protection (OVP)
- AC Input Brownout Protection with Hysteresis
- Constant Output-Power Limit (Full AC Input Range)
- Internal Latch Circuit for OVP, OTP, and OCP
- Two-level Over-Current Protection (OCP) with 96ms Delay Time
- Very Few External Components
- Programmable Over-Temperature Protection (OTP)

### Applications

General-purpose switch-mode power supplies and flyback power converters, including:

- Power Adapters
- Open-Frame SMPS
- SMPS with Surge-Current Output, such as for Printers, Scanners, Motor Drivers

### Description


The highly integrated SG6846 series of PWM controllers provides several features to enhance the performance of flyback converters. To minimize standby-power consumption, a proprietary green-mode function provides off-time modulation to continuously decrease the switching frequency under light-load conditions. Under zero-load conditions, the power supply enters burst-mode. This completely shuts off PWM output. The output restarts just before the supply voltage drops below the under-voltage lockout (UVLO) lower limit. This green-mode function enables power supplies to meet international power conservation requirements easily.

The SG6846 is designed especially for switch-mode power supply (SMPS) with surge-current output. It is incorporated with a two-level OCP function. Besides the cycle-by-cycle current limiting, if the switching current is higher than 2/3 of the peak-current threshold for a delay time, OCP is activated such that the SG6846 is totally shut down. Other protection functions include: AC-input brownout protection with hysteresis and V<sub>DD</sub> OVP. For OTP, an external NTC thermistor can be applied to sense the ambient temperature. When OCP, V<sub>DD</sub> OVP, or OTP are activated, an internal latch circuit is used to latch off the controller. The latch resets when the V<sub>DD</sub> supply is removed.

Other features of this controller include built-in synchronized slope compensation and proprietary internal compensation for constant output-power limit over universal-AC-input range. Also, the gate output is clamped at 18V to protect the external MOSFET from over-voltage damage.

The SG6846 series controllers are available in both 8-pin dual in-line (DIP) and small outline (SOP) packages.

### Ordering Information

Part Number	Operating Temperature Range	OTP Latch	 Eco Status	Package	Packing Method
SG6846LSZ	-20 to +85°C	Yes	RoHS	8-Pin SOP	Tape & Reel
SG6846LSY	-20 to +85°C	Yes	Green	8-Pin SOP	Tape & Reel
SG6846LDZ	-20 to +85°C	Yes	RoHS	8-Pin DIP	Tube
SG6846LDY	-20 to +85°C	Yes	Green	8-Pin DIP	Tube

 For Fairchild's definition of "green" Eco Status, please visit: [http://www.fairchildsemi.com/company/green/rohs\\_green.html](http://www.fairchildsemi.com/company/green/rohs_green.html).

### Typical Application

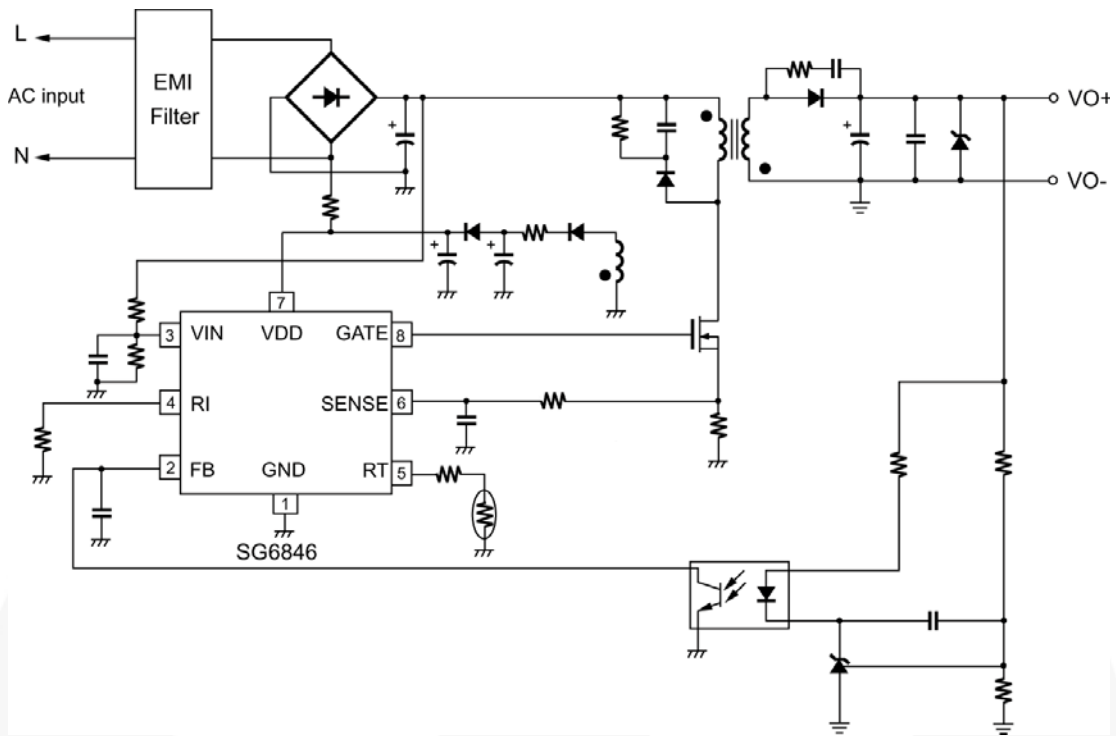


Figure 1. Typical Application

### Block Diagram

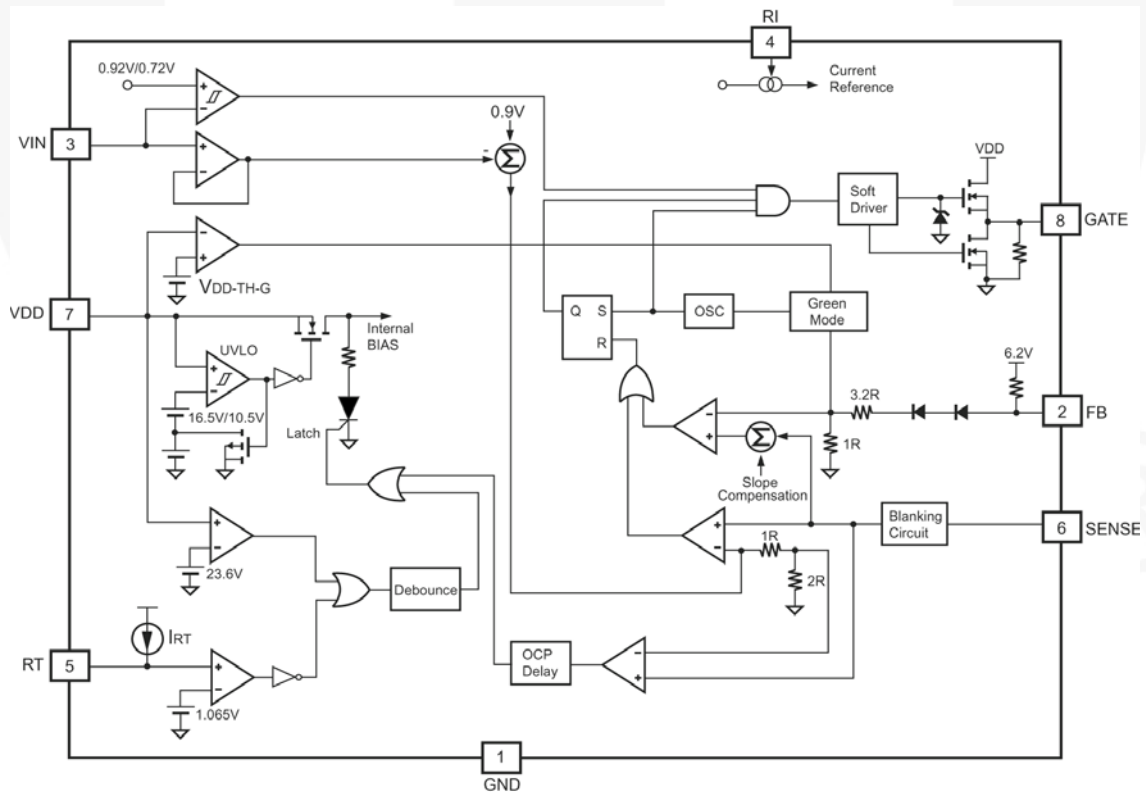
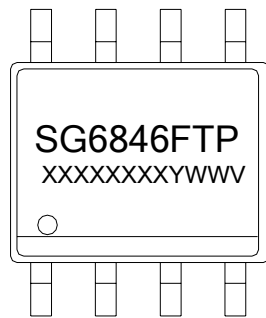


Figure 2. Block Diagram

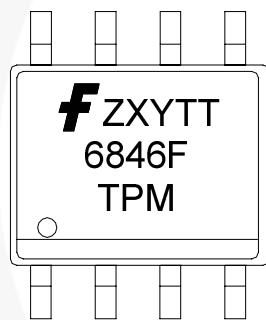
## Marking Information



**F**: L = OTP Latch  
**T**: D = DIP, S = SOP  
**P**: Z = Lead Free + ROHS Compatible  
 Null = Regular Package  
**XXXXXXXX**: Wafer Lot  
**Y**: Year; **WW**: Week  
**V**: Assembly Location

※ Marking for SG6846LSZ (Pb-free)  
 SG6846LDZ (Pb-free)

**Figure 3. Top Mark 1**



**F**: Fairchild logo  
**Z**: Plant Code  
**X**: Year Code  
**Y**: Week Code  
**TT**: Die Run Code  
**F**: L = OCP Latch  
**T**: Package Type (D = DIP, S = SOP)  
**P**: Y = Green Package  
**M**: Manufacturing Flow Code

※ Marking for SG6846LSY (Green-compound)  
 SG6846LDY (Green-compound)

**Figure 4. Top Mark 2**

## Pin Configuration

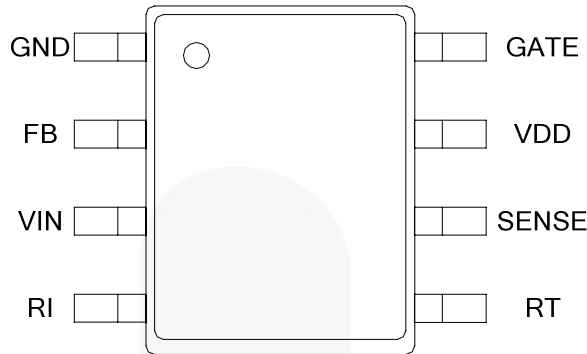


Figure 5. Pin Configuration

## Pin Definitions

Pin #	Name	Function	Description
1	GND	Ground	<b>Ground.</b>
2	FB	Feedback	The signal from the external compensation circuit is fed into this pin. The FB pin and the current-sense signal from Pin 6 determine the PWM duty cycle.
3	VIN	Line-Voltage Detection	<b>Line-voltage detection.</b> The line-voltage detection is used for brownout protection with hysteresis. Constant-output-power limit over universal-AC-input range is also achieved using the $V_{IN}$ signal. It is suggested to add low-pass filter to filter out line ripple on bulk capacitor.
4	RI	Reference Setting	A resistor from the RI pin to ground generates a reference current source inside SG6846. This determines the switching frequency. Increasing the resistance reduces the switching frequency. Using a 26k $\Omega$ resistor RI results in a 65KHz switching frequency.
5	RT	Temperature Detection	<b>For OTP.</b> An external negative temperature coefficient (NTC) thermistor is connected from this pin to the GND pin. The impedance of the NTC decreases at high temperatures. Once the voltage of the RT pin drops below a threshold, PWM output is disabled.
6	SENSE	Current Sense	<b>Current sense.</b> The sensed voltage is used for peak-current-mode control and cycle-by-cycle current limiting. If the switching current is higher than 2/3 of the peak-current threshold for longer than 96ms, OTP is activated. This two-level OCP feature is especially suitable for SMPS with surge current output.
7	VDD	Power Supply	<b>Power Supply.</b> The internal protection circuit disables PWM output in response to $V_{DD}$ over voltage.
8	GATE	Driver Output	The totem-pole output driver for the power MOSFET. A soft driving waveform is implemented for improved electromagnetic interference (EMI).

## Absolute Maximum Ratings

Stresses exceeding the absolute maximum ratings may damage the device. The device may not function or be operable above the recommended operating conditions and stressing the parts to these levels is not recommended. In addition, extended exposure to stresses above the recommended operating conditions may affect device reliability. The absolute maximum ratings are stress ratings only. All voltage values, except differential voltages, are given with respect to GND pin.

Symbol	Parameter	Min.	Max.	Unit
V <sub>DD</sub>	Supply Voltage		25	V
V <sub>L</sub>	Input Voltage to FB, SENSE, VIN, RT, RI Pins	-0.3	7.0	V
P <sub>D</sub>	Power Dissipation	SOP	400	mW
		DIP	800	
R <sub>θJC</sub>	Thermal Resistance Junction-to-Case)	SOP	41.2	°C/W
		DIP	67.1	
T <sub>J</sub>	Operating Junction Temperature	-40	+125	°C
T <sub>STG</sub>	Storage Temperature Range	-65	+150	°C
T <sub>L</sub>	Lead Temperature, Wave Soldering, 10 Second		+260	°C
ESD	Human Body Model, JESD22-A114		2.0	kV
	Machine Model, JESD22-A115A		200	V

## Recommended Operating Conditions

The Recommended Operating Conditions table defines the conditions for actual device operation. Recommended operating conditions are specified to ensure optimal performance to the datasheet specifications. Fairchild does not recommend exceeding them or designing to Absolute Maximum Ratings.

Symbol	Parameter	Min.	Max.	Unit
T <sub>A</sub>	Operating Ambient Temperature	-20	+85	°C

## Electrical Characteristics

$V_{DD} = 15V$  and  $T_A = 25^\circ C$  unless otherwise noted.

Symbol	Parameter	Conditions	Min.	Typ.	Max.	Unit
<b>V<sub>DD</sub> Section</b>						
V <sub>DD-OP</sub>	Continuously Operating Voltage				20	V
V <sub>DD-ON</sub>	Turn-On Threshold Voltage		15.5	16.5	17.5	V
V <sub>DD-OFF</sub>	Turn-Off Voltage		9.5	10.5	11.5	V
V <sub>DD-TH-G</sub>	Low-Threshold Voltage for V <sub>DD</sub> to Exit Green-OFF Mode			V <sub>DD-OFF</sub> + 1.25V		V
V <sub>DD-LH</sub>	Threshold Voltage for Latch-Off Release		3	4	5	V
I <sub>DD-ST</sub>	Startup Current	V <sub>DD-ON</sub> – 0.16V		8	30	μA
I <sub>DD-OP</sub>	Operating Supply Current	GATE Open		3.7	5.0	mA
V <sub>DD-OVP</sub>	V <sub>DD</sub> Over-Voltage Protection (Latch Off)		22.6	23.6	24.6	V
t <sub>D-VDDOVP</sub>	V <sub>DD</sub> OVP Debounce Time	R <sub>I</sub> = 26kΩ		100		μs
I <sub>DD-H</sub>	V <sub>DD</sub> OVP Latch-Off Holding Current	V <sub>DD</sub> = 5V, T <sub>A</sub> = 27°C		45		μA
<b>V<sub>IN</sub> Section</b>						
V <sub>IN-OFF</sub>	PWM Turn-Off Threshold Voltage		0.67	0.72	0.77	V
V <sub>IN-ON</sub>	PWM Turn-On Threshold Voltage			V <sub>IN-OFF</sub> + 0.20		V
<b>Feedback Input Section</b>						
A <sub>V</sub>	Input-Voltage to Current-Sense Attenuation			1/4.2		V/V
Z <sub>FB</sub>	Input Impedance		4.0	5.5	7.0	kΩ
V <sub>FBO</sub>	FB-Pin Open Voltage			6.2		V
<b>Current Sense Section</b>						
Z <sub>SENSE</sub>	Input Impedance			12		kΩ
t <sub>PD</sub>	Delay to Output			100	200	ns
t <sub>LEB</sub>	Leading-Edge Blanking Time			360		ns
V <sub>STH1V</sub>	Threshold Voltage for Current Limit	V <sub>IN</sub> = 1V, R <sub>I</sub> = 26kΩ	0.78	0.83	0.88	V
V <sub>STH3V</sub>	Threshold Voltage for Current Limit	V <sub>IN</sub> = 3V, R <sub>I</sub> = 26kΩ	0.65	0.70	0.75	V
V <sub>STH1V-2/3</sub>	OCP Threshold Voltage for Current Limit	V <sub>IN</sub> = 1V, R <sub>I</sub> = 26kΩ	0.56	0.61	0.66	V
V <sub>STH3V-2/3</sub>	OCP Threshold Voltage for Current Limit	V <sub>IN</sub> = 3V, R <sub>I</sub> = 26kΩ	0.46	0.51	0.56	V
t <sub>D-OCP</sub>	Delay Time for OTP	R <sub>I</sub> = 26kΩ	82	96	110	ms

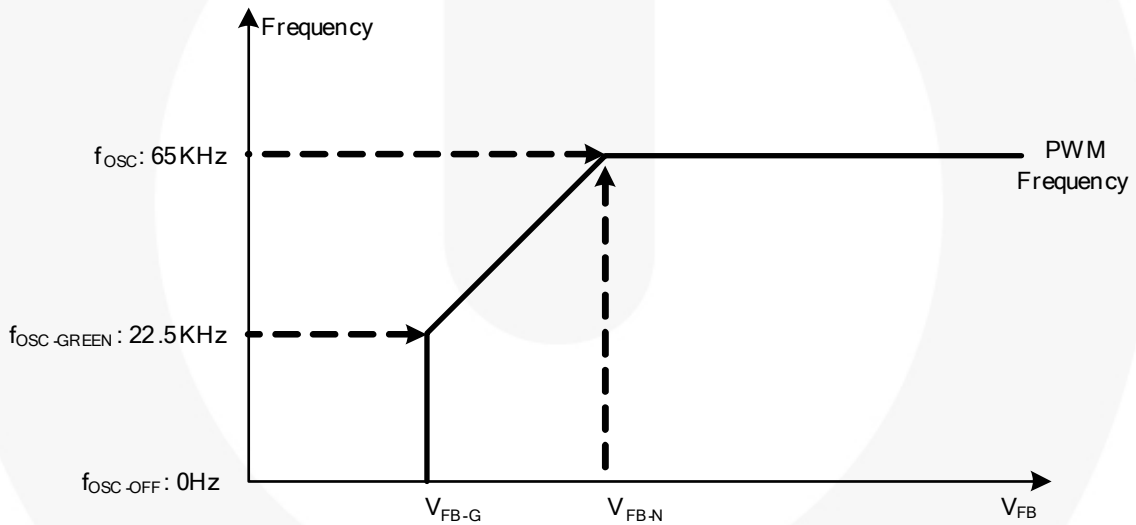
Continued on following page...

**Electrical Characteristics** (Continued)

$V_{DD} = 15V$  and  $T_A = 25^\circ C$  unless otherwise noted.

Symbol	Parameter	Conditions	Min.	Typ.	Max.	Unit
<b>Oscillator Section</b>						
$f_{OSC}$	Normal PWM Frequency	$R_I = 26k\Omega$	60	65	70	KHz
$f_{OSC-G}$	Green-Mode Minimum Frequency	$R_I = 26k\Omega$	18.0	22.5	25.0	KHz
$V_{FB-N}$	FB-Pin Threshold for the Beginning of Green Mode			2.1		V
$V_{FB-G}$	Green-OFF-Mode Voltage at FB Pin			1.6		V
$S_G$	Slope for Green-Mode Modulation	$R_I = 26k\Omega$		85		Hz/mV
$f_{DV}$	Frequency Variation vs. $V_{DD}$ Deviation	$V_{DD} = 11.5V$ to $20V$			5	%
$f_{DT}$	Frequency Variation vs. Temperature Deviation	$T_A = -20$ to $85^\circ C$		1.5	5.0	%

*Continued on following page...*



**Figure 6. PWM Frequency**

**Electrical Characteristics** (Continued) $V_{DD} = 15V$  and  $T_A = 25^\circ C$  unless otherwise noted.

Symbol	Parameter	Conditions	Min.	Typ.	Max.	Unit
<b>PWM Output Section</b>						
$DCY_{MAX}$	Maximum Duty Cycle		80	85	90	%
$V_{OL}$	Output Voltage Low	$V_{DD} = 15V$ , $I_{OUT} = 50mA$			1.5	V
$V_{OH}$	Output Voltage High	$V_{DD} = 12V$ , $I_{OUT} = 50mA$	8			V
$t_r$	Rising Time	$V_{DD} = 15V$ , GATE = 1nF		350		ns
$t_f$	Falling Time	$V_{DD} = 15V$ , GATE = 1nF		50		ns
$V_{CLAMP}$	Gate Output Clamping Voltage	$V_{DD} = 20V$		18		V
<b>OTP Section</b>						
$I_{RT}$	Output Current of RT Pin	$R_I = 26k\Omega$	64	70	76	$\mu A$
$V_{RTTH}$	Threshold Voltage for OTP		1.015	1.065	1.115	V
$t_{DOTP-LATCH}$	Over-Temperature Latch-Off Debounce	$R_I = 26k\Omega$		100		$\mu s$
$V_{RT-RLS}$	OTP Release Voltage (for Non-Latch-Off Version)			$V_{RTTH} + 0.1$		V
<b><math>R_I</math> Section</b>						
$R_{I-NOR}$	$R_I$ Operating Range		15.5		36.0	k $\Omega$
$R_{I-MAX}$	Maximum $R_I$ Value for Protection			216		k $\Omega$
$R_{I-MIN}$	Minimum $R_I$ Value for Protection			6		k $\Omega$



## Typical Performance Characteristics

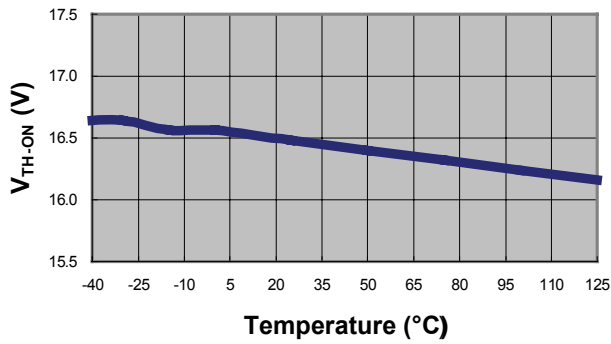


Figure 7. Startup Threshold vs. Temperature

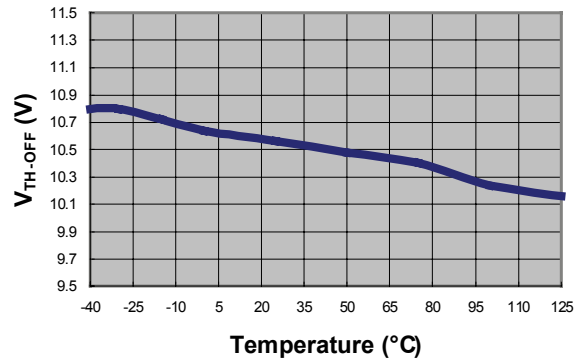


Figure 8. Minimum Operating Voltage vs. Temperature

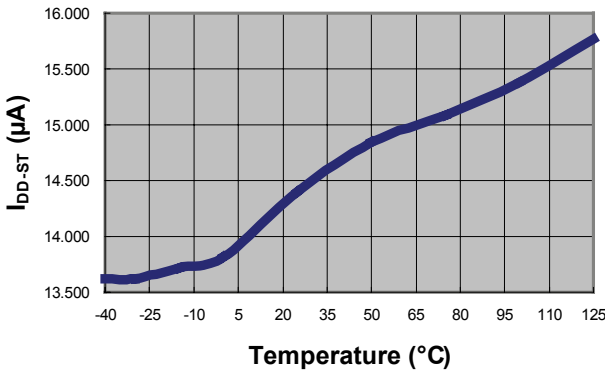


Figure 9. Startup Current vs. Temperature

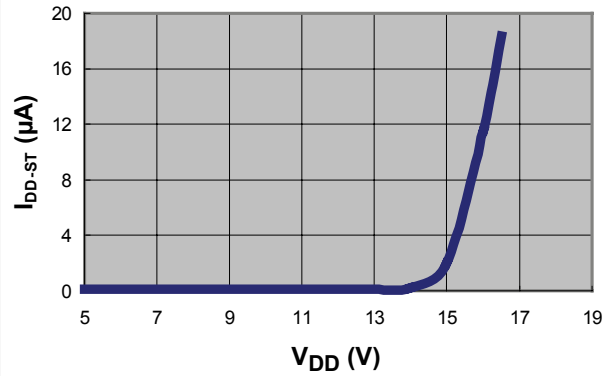


Figure 10. Startup Current vs. V<sub>DD</sub> Voltage

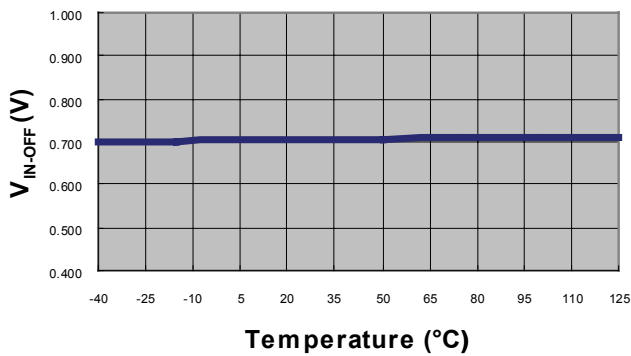


Figure 11. PWM Turn-Off Threshold Voltage vs. Temperature

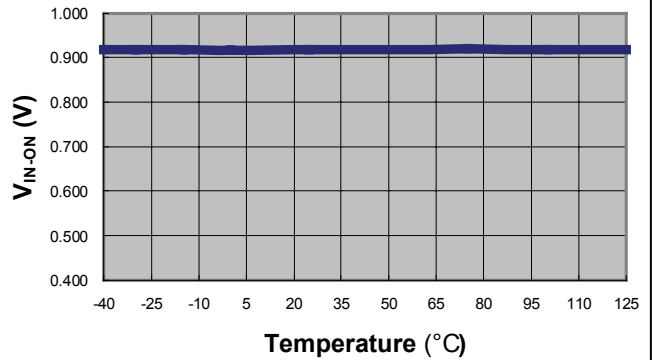
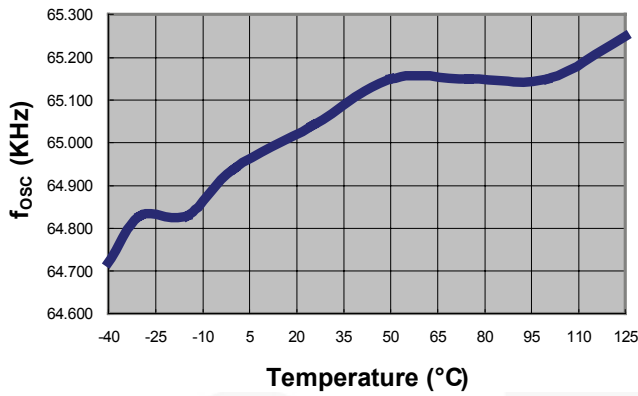
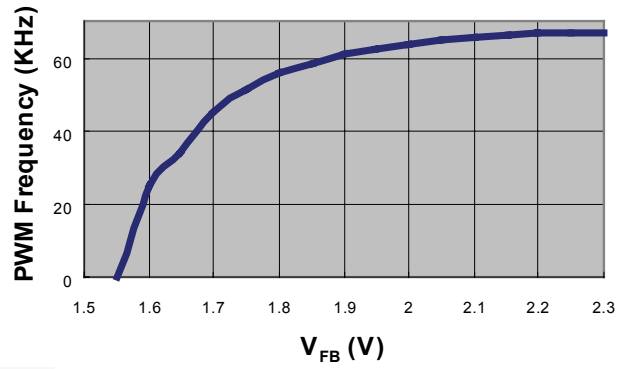


Figure 12. PWM Turn-On Threshold Voltage vs. Temperature

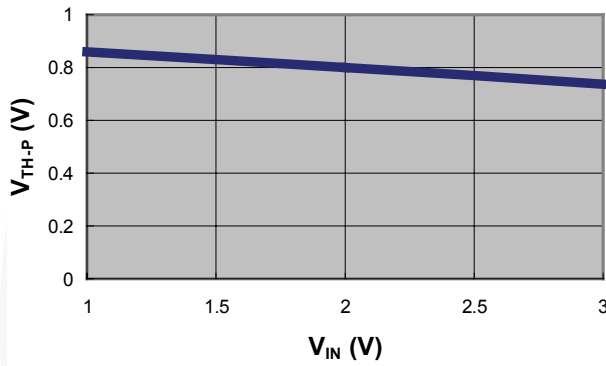
**Typical Performance Characteristics (Continued)**



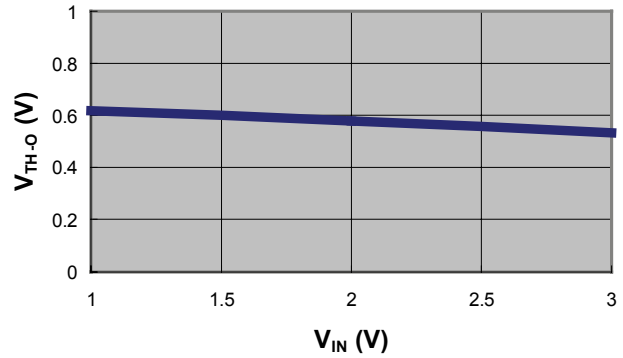
**Figure 13. PWM Frequency vs. Temperature**



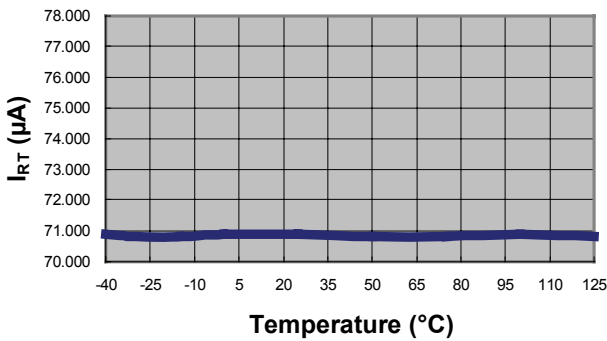
**Figure 14. PWM Frequency vs. FB Voltage (R<sub>f</sub>=26kΩ)**



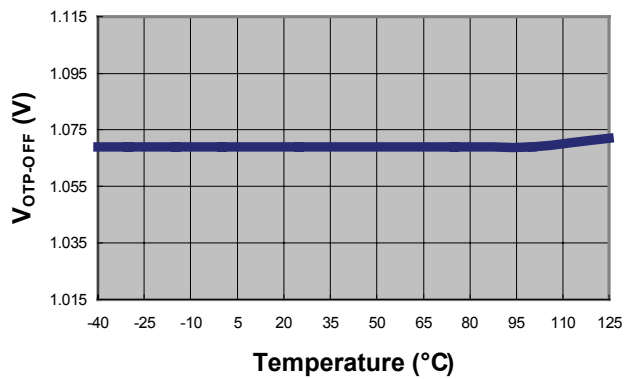
**Figure 15. Current-Limit Threshold vs. V<sub>IN</sub> Voltage**



**Figure 16. 2/3 Current-Limit Threshold vs. V<sub>IN</sub> Voltage**



**Figure 17. Output Current of RT Pin (I<sub>RT</sub>) vs. Temperature**



**Figure 18. OTP Threshold Voltage vs. Temperature**

## Operation Description

### Startup Operation

The turn-on/turn-off thresholds are fixed internally at 16.5V/10.5V. To enable the SG6846 during startup, the hold-up capacitor must first be charged to 16.5V through the startup resistor.

The hold-up capacitor continues to supply  $V_{DD}$  before energy can be delivered from the auxiliary winding of the main transformer. The  $V_{DD}$  must not drop below 10.5V during this startup process. This UVLO hysteresis window ensures that the hold-up capacitor can adequately supply  $V_{DD}$  during startup.

The typical startup current is only 8 $\mu$ A. This allows a high resistance, low-wattage startup resistor to be used to minimize power loss. A 1.5M $\Omega$ /0.25W, startup resistor and a 10 $\mu$ F/25V  $V_{DD}$  hold-up capacitor is sufficient for a universal input range.

The required operating current has been reduced to 3.7mA. This enables higher efficiency and reduces the  $V_{DD}$  hold-up capacitance requirement.

### Green-Mode Operation

Power supplies using the SG6846 can easily meet even the most restrictive international regulations regarding standby power consumption. The proprietary green-mode function provides off-time modulation to continuously decrease the switching frequency under light-load conditions. Maximum on time is limited to provide protection against abnormal conditions. To further reduce power consumption under zero-load condition, the PWM oscillator is completely turned off and the power supply enters burst-mode. After the PWM oscillator is turned off, the IC's supply voltage  $V_{DD}$  drops gradually. Before the  $V_{DD}$  voltage drops below the UVLO threshold, the PWM oscillator is turned on again. This green-mode function dramatically reduces power consumption under light-load and zero-load conditions.

### Oscillator Operation

A resistor connected from the RI pin to GND generates a reference-current source inside the SG6846. This current is used to determine the PWM frequency. Increasing the resistance decreases the amplitude of the current source and reduces the PWM frequency. Using a 26k $\Omega$  resistor RI results in a corresponding 65KHz switching frequency. The relationship between RI and the switching frequency is:

$$f_{PWM}(\text{KHz}) = \frac{1690}{R_I (\text{k}\Omega)} \quad (1)$$

If an open circuit or short circuit to ground occurs at the RI pin, the internal protection circuit immediately shuts down the controller.

### Two-Level Over-Current Protection (OCP)

Cycle-by-cycle current limiting shuts down the PWM immediately when the switching current is over the peak-current threshold. Additionally, when the switching current is higher than 2/3 of the peak-current threshold, the internal counter starts counting up. When the switching current is lower than 2/3 of the peak current threshold, the internal counter counts down. When the total accumulated counting time is more than about 96ms ( $R_I = 26\text{k}\Omega$ ), the controller is latched off.

The two-level OCP protection and up/down counter are especially designed for SMPS with surge current output such as those for printers, scanners, and motor drivers.

### Constant-Output-Power Limit

For constant-output-power limit over universal input-voltage range, the peak-current threshold is adjusted by the voltage of the VIN pin. Since the VIN pin is connected to the rectified AC-input line voltage through the resistive divider, a higher line voltage generates a higher  $V_{IN}$  voltage. The threshold voltage decreases as the  $V_{IN}$  voltage increases, making the maximum output power at high-line input voltage equal to that at low-line input.

### Brownout Protection

Since the VIN pin is connected through a resistive divider to the rectified AC input line voltage, it can also be used for brownout protection. If the  $V_{IN}$  voltage is less than 0.72V, the PWM output is shut off. If the  $V_{IN}$  voltage is over 0.92V, the PWM output is turned on again. The hysteresis window for ON/OFF is around 0.2V.

### $V_{DD}$ Over-Voltage Protection (OVP)

$V_{DD}$  OVP is built in to prevent damage. If  $V_{DD}$  is over 23.6V, SG6846 is latched off.

### Over-Temperature Protection (OTP)

An external NTC thermistor can be connected from the RT pin to GND. The impedance of the NTC decreases at high temperatures. When the voltage of the RT pin drops below 1.05V, the SG6846 is turned off. *For protection-mode options, see Ordering Information.*

## Operation Description (Continued)

### Noise Immunity

Noise from the current sense or the control signal may cause significant pulse-width jitter, particularly in continuous-conduction mode. Slope compensation helps alleviate this problem. Good placement and layout practices should be followed. Avoid long PCB traces and component leads. Compensation and filter components should be located near the SG6846.

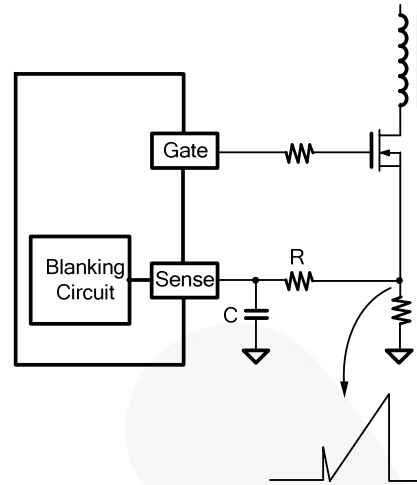


Figure 19. Current Sense R-C Filter

## Reference Circuit

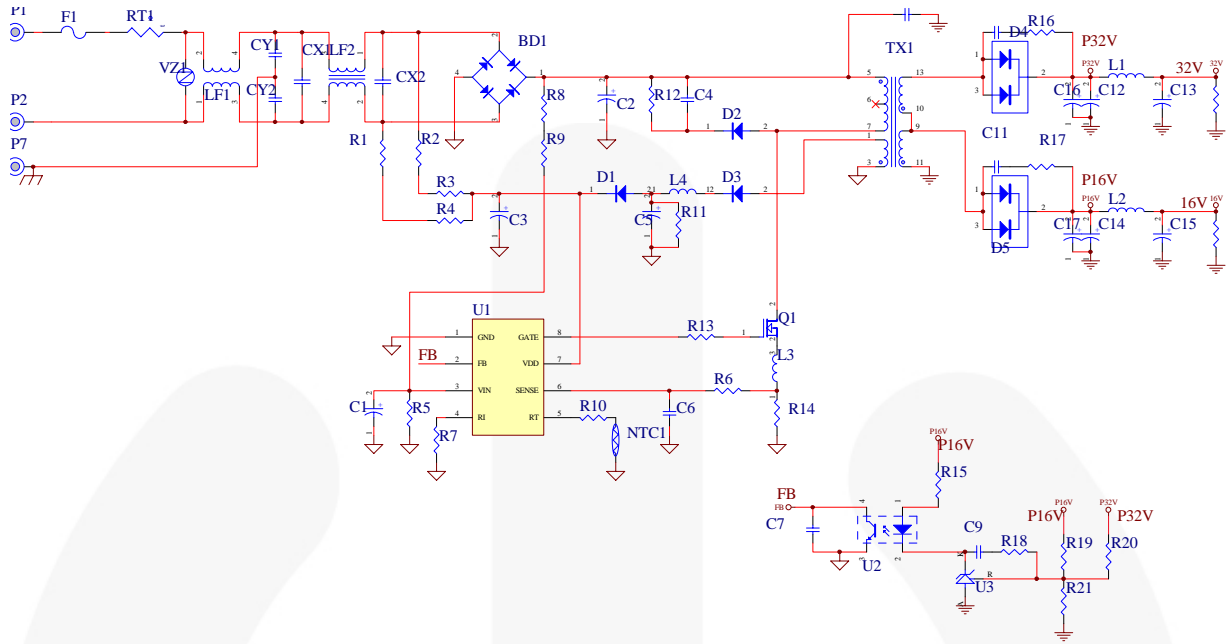
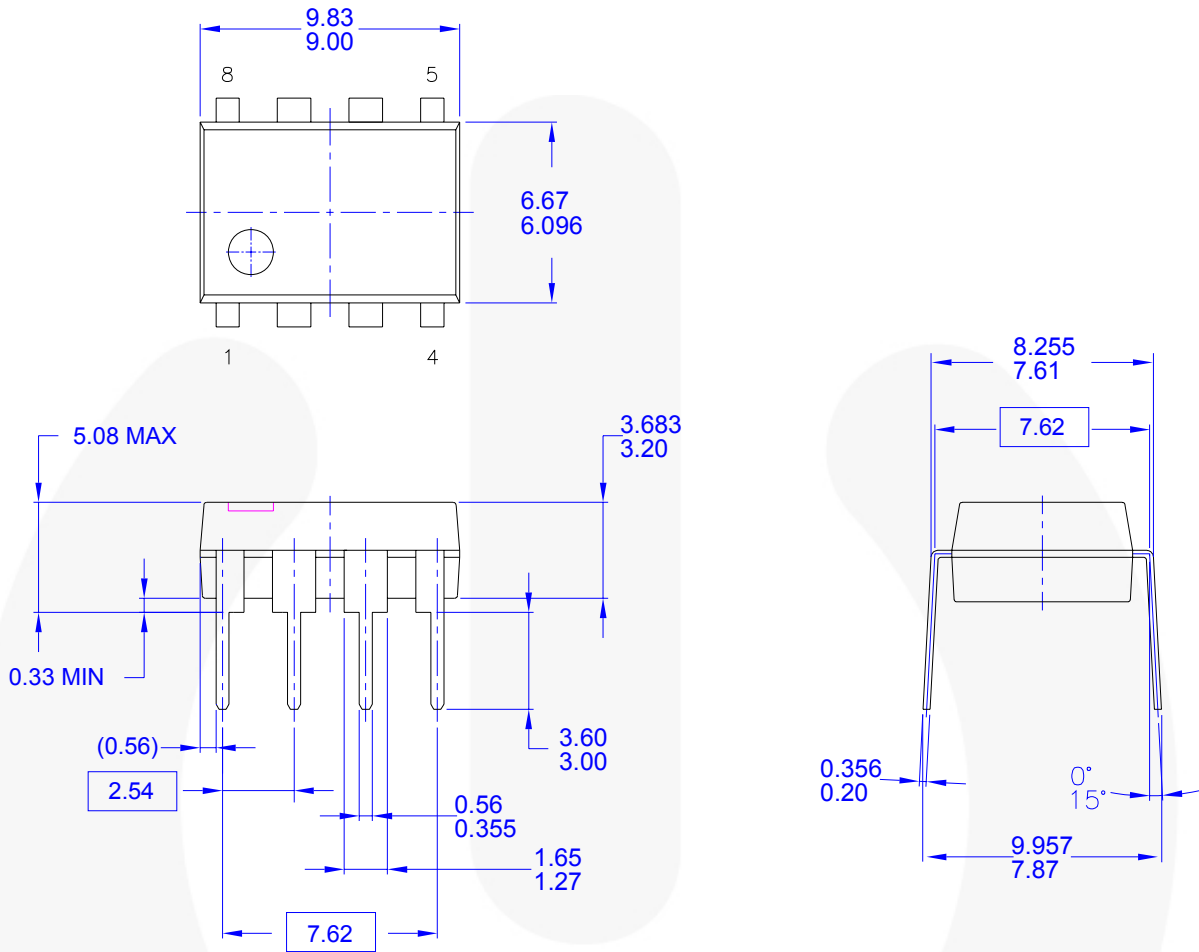


Figure 20. Application Circuit for 32V / 16V Output

## BOM

Part No.	Value	Part No.	Value	Part No.	Value
R1, R2, R3, R4	470KΩ +/-5%	C4	103 P 630V	D3	FR103 1.0A 200V
R8, R9	51MΩ +/-1%	C10,C11	102 P 1KV	BD1	DBL406G
R5	16K2Ω +/-1%	C6,C7	102 P 50V	D4	BYT28-300
R15	1K5Ω +/-5%	C9	222 P 50V	D5	BYV32-150
R13	10Ω +/-5%	C14,C17	470μ 25V	F1	250V4A QUICK
R18	4K7Ω +/-5%	C15	220μ 25V	L1,L2	1.8μH
R21	15KΩ +/-1%	C13,C16	220μ 50V	L4	10μH
R7	27KΩ +/-5%	C2	150μ 400V	U3	TL431 +/-1%
R6	330Ω +/-1%	C1	4.7μ 50V	U1	SG 6846
R19	102KΩ +/-1%	C3	10μ 50V	U2	PC817
R14	0Ω22 +/-5%	CX1	X1 0.47μ 275V	Q1	7NB60
R16, R17	1W 20Ω +/-5%	C8	Y2 222P 250V	TX1	EI-33
R11	20KΩ +/-5%	C5	100μ 50V	RT1	SCK053
R12	100KΩ +/-5%	CX2	X2 0.1μF 275V	VZ1	14ψ 470V
R20	887KΩ +/-1%	D1	1N4148		
R22	10KΩ +/-1%	D2	BYV95C		

## Physical Dimensions



### NOTES: UNLESS OTHERWISE SPECIFIED

- A) THIS PACKAGE CONFORMS TO JEDEC MS-001 VARIATION BA
- B) ALL DIMENSIONS ARE IN MILLIMETERS.
- C) DIMENSIONS ARE EXCLUSIVE OF BURRS, MOLD FLASH, AND TIE BAR EXTRUSIONS.
- D) DIMENSIONS AND TOLERANCES PER ASME Y14.5M-1994
- E) DRAWING FILENAME AND REVISION: MKT-N08FREV2.

**Figure 21. 8-Pin Dual In-Line Package (DIP)**

Package drawings are provided as a service to customers considering Fairchild components. Drawings may change in any manner without notice. Please note the revision and/or date on the drawing and contact a Fairchild Semiconductor representative to verify or obtain the most recent revision. Package specifications do not expand the terms of Fairchild's worldwide terms and conditions, specifically the warranty therein, which covers Fairchild products.

Always visit Fairchild Semiconductor's online packaging area for the most recent package drawings:  
<http://www.fairchildsemi.com/packaging/>

Physical Dimensions

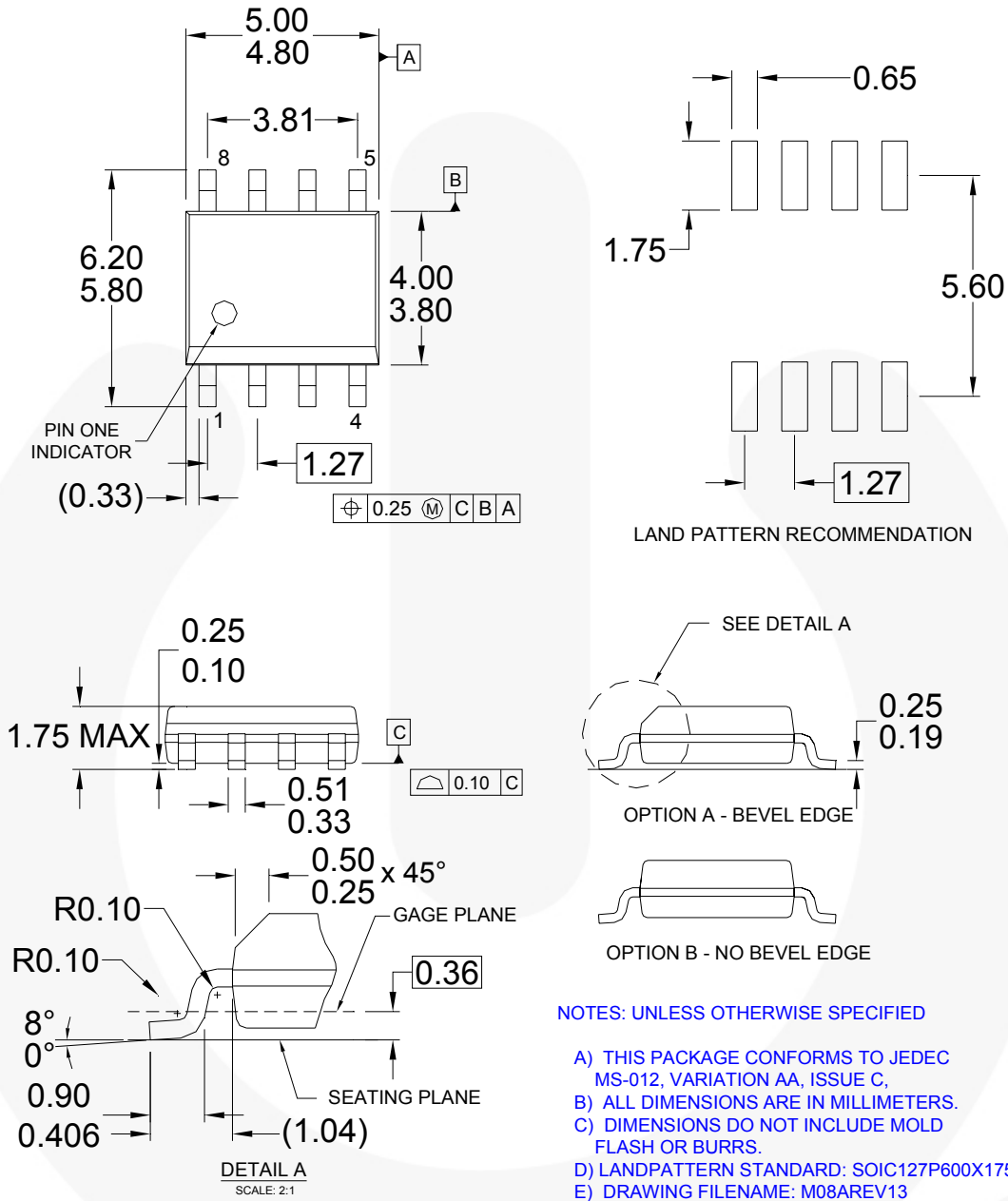


Figure 22. 8-Pin Small Outline Package (SOP)

Package drawings are provided as a service to customers considering Fairchild components. Drawings may change in any manner without notice. Please note the revision and/or date on the drawing and contact a Fairchild Semiconductor representative to verify or obtain the most recent revision. Package specifications do not expand the terms of Fairchild's worldwide terms and conditions, specifically the warranty therein, which covers Fairchild products.

Always visit Fairchild Semiconductor's online packaging area for the most recent package drawings:  
<http://www.fairchildsemi.com/packaging/>



**TRADEMARKS**

The following includes registered and unregistered trademarks and service marks, owned by Fairchild Semiconductor and/or its global subsidiaries, and is not intended to be an exhaustive list of all such trademarks.

- |                          |                        |                                       |  |
|--------------------------|------------------------|---------------------------------------|--|
| Build it Now™            | FRFET®                 | Programmable Active Droop™            |  |
| CorePLUS™                | Global Power Resource™ | QFET®                                 |  |
| CorePOWER™               | Green FPST™            | QS™                                   |  |
| CROSSVOLT™               | Green FPST™ e-Series™  | Quiet Series™                         |  |
| CTL™                     | GTO™                   | RapidConfigure™                       |  |
| Current Transfer Logic™  | IntelliMAX™            | ™                                     |  |
| EcoSPARK®                | ISOPLANAR™             | Saving our world, 1mW/W/kW at a time™ |  |
| EfficientMax™            | MegaBuck™              | SmartMax™                             |  |
| EZSWTCH™ *               | MICROCOUPLER™          | SMART START™                          |  |
| ™                        | MicroFET™              | SPM®                                  |  |
| ™                        | MicroPak™              | STEALTH™                              |  |
| Fairchild®               | MillerDrive™           | SuperFET™                             |  |
| Fairchild Semiconductor® | MotionMax™             | SuperSOT™.3                           |  |
| FACT Quiet Series™       | Motion-SPM™            | SuperSOT™.6                           |  |
| FACT®                    | OPTOLOGIC®             | SuperSOT™.8                           |  |
| FAST®                    | OPTOPLANAR®            | SupreMOS™                             |  |
| FastvCore™               | ™                      | SyncFET™                              |  |
| FlashWriter® *           | PDP SPM™               | ™                                     |  |
| FPS™                     | Power-SPM™             | The Power Franchise®                  |  |
| F-PFS™                   | PowerTrench®           |                                       |  |
|                          | PowerXS™               |                                       |  |

\* EZSWTCH™ and FlashWriter® are trademarks of System General Corporation, used under license by Fairchild Semiconductor.

**DISCLAIMER**

FAIRCHILD SEMICONDUCTOR RESERVES THE RIGHT TO MAKE CHANGES WITHOUT FURTHER NOTICE TO ANY PRODUCTS HEREIN TO IMPROVE RELIABILITY, FUNCTION, OR DESIGN. FAIRCHILD DOES NOT ASSUME ANY LIABILITY ARISING OUT OF THE APPLICATION OR USE OF ANY PRODUCT OR CIRCUIT DESCRIBED HEREIN; NEITHER DOES IT CONVEY ANY LICENSE UNDER ITS PATENT RIGHTS, NOR THE RIGHTS OF OTHERS. THESE SPECIFICATIONS DO NOT EXPAND THE TERMS OF FAIRCHILD'S WORLDWIDE TERMS AND CONDITIONS, SPECIFICALLY THE WARRANTY THEREIN, WHICH COVERS THESE PRODUCTS.

**LIFE SUPPORT POLICY**

FAIRCHILD'S PRODUCTS ARE NOT AUTHORIZED FOR USE AS CRITICAL COMPONENTS IN LIFE SUPPORT DEVICES OR SYSTEMS WITHOUT THE EXPRESS WRITTEN APPROVAL OF FAIRCHILD SEMICONDUCTOR CORPORATION.

As used herein:

1. Life support devices or systems are devices or systems which, (a) are intended for surgical implant into the body or (b) support or sustain life, and (c) whose failure to perform when properly used in accordance with instructions for use provided in the labeling, can be reasonably expected to result in a significant injury of the user.
2. A critical component in any component of a life support, device, or system whose failure to perform can be reasonably expected to cause the failure of the life support device or system, or to affect its safety or effectiveness.

**ANTI-COUNTERFEITING POLICY**

Fairchild Semiconductor Corporation's Anti-Counterfeiting Policy. Fairchild's Anti-Counterfeiting Policy is also stated on our external website, [www.fairchildsemi.com](http://www.fairchildsemi.com), under Sales Support.

Counterfeiting of semiconductor parts is a growing problem in the industry. All manufacturers of semiconductor products are experiencing counterfeiting of their parts. Customers who inadvertently purchase counterfeit parts experience many problems such as loss of brand reputation, substandard performance, failed applications, and increased cost of production and manufacturing delays. Fairchild is taking strong measures to protect ourselves and our customers from the proliferation of counterfeit parts. Fairchild strongly encourages customers to purchase Fairchild parts either directly from Fairchild or from Authorized Fairchild Distributors who are listed by country on our web page cited above. Products customers buy either from Fairchild directly or from Authorized Fairchild Distributors are genuine parts, have full traceability, meet Fairchild's quality standards for handling and storage and provide access to Fairchild's full range of up-to-date technical and product information. Fairchild and our Authorized Distributors will stand behind all warranties and will appropriately address any warranty issues that may arise. Fairchild will not provide any warranty coverage or other assistance for parts bought from Unauthorized Sources. Fairchild is committed to combat this global problem and encourage our customers to do their part in stopping this practice by buying direct or from authorized distributors.

**PRODUCT STATUS DEFINITIONS**

**Definition of Terms**

Datasheet Identification	Product Status	Definition
Advance Information	Formative / In Design	Datasheet contains the design specifications for product development. Specifications may change in any manner without notice.
Preliminary	First Production	Datasheet contains preliminary data; supplementary data will be published at a later date. Fairchild Semiconductor reserves the right to make changes at any time without notice to improve design.
No Identification Needed	Full Production	Datasheet contains final specifications. Fairchild Semiconductor reserves the right to make changes at any time without notice to improve the design.
Obsolete	Not In Production	Datasheet contains specifications on a product that is discontinued by Fairchild Semiconductor. The datasheet is for reference information only.

Rev. 137