



TECHWELL
SECURITY



Security Surveillance IC Solutions

Features

TW2700

4 Channel MJPEG Compression Controller For Security Applications

Target Applications

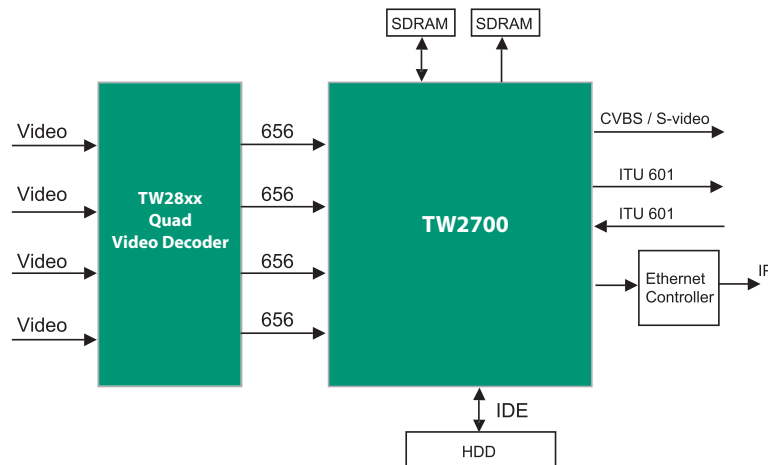
- 4 Channel Standalone DVR
- 16 Channel Standalone DVR
- PCI card for PC DVR
- Karaoke machine graphic controller
- 4 Channel Recordable PVR
- Set Top Box graphic controller for Cable TV

Features

- 4 ITU-R BT.656 compatible video input ports
- Independent MJPEG compression engine for each channel with proprietary algorithm
- Supports Triplex operations, simultaneous recording, playback and network connection
- Built-in Encoder with CVBS or S-video output
- Digital 60 I/O port for cascade operation
- Programmable IDE Interface for H.D.D. or other storage devices
- Versatile OSD function capable of displaying Alpha-numerical and Asian Characters
- Support 16 color Icon Display
- Support Picture In Picture function with various shape
- Chroma key function for Karaoke
- PS2 port for Mouse or Keyboard
- Programmable Mouse Cursor Display function
- Flexible GPIO
- Audio data compression with internal RISC processor
- Supports uploading and downloading graphic image through host interface
- SDRAM Direct Access through host interface
- IDE Direct Access through host interface
- Programmable Motion Detector
- Up to 16 channel support by cascading 4 TW2700 chips
- Single 54 MHz clock input
- Built-in PLL generation for memory clock
- 256 PQFP package

The TW2700 is a real time 4 channel video compression controller for security applications that can compress and decompress 4 full size video data streams simultaneously. The TW2700 contains an internal RISC processor that can be used for audio compression, IP streaming, and other tasks. In addition, the TW2700 has a high quality display controller that is capable of various displays including PIP. The TW2700 has flexible 8 bit and 16 bit host interface modes and requires two external SDRAMs that are used for screen control and MJPEG compression. Together with the TW28xx quad video decoders, the TW2700 is a complete end to end MJPEG DVR solution that can scale from 4 channels up to 16 channels.

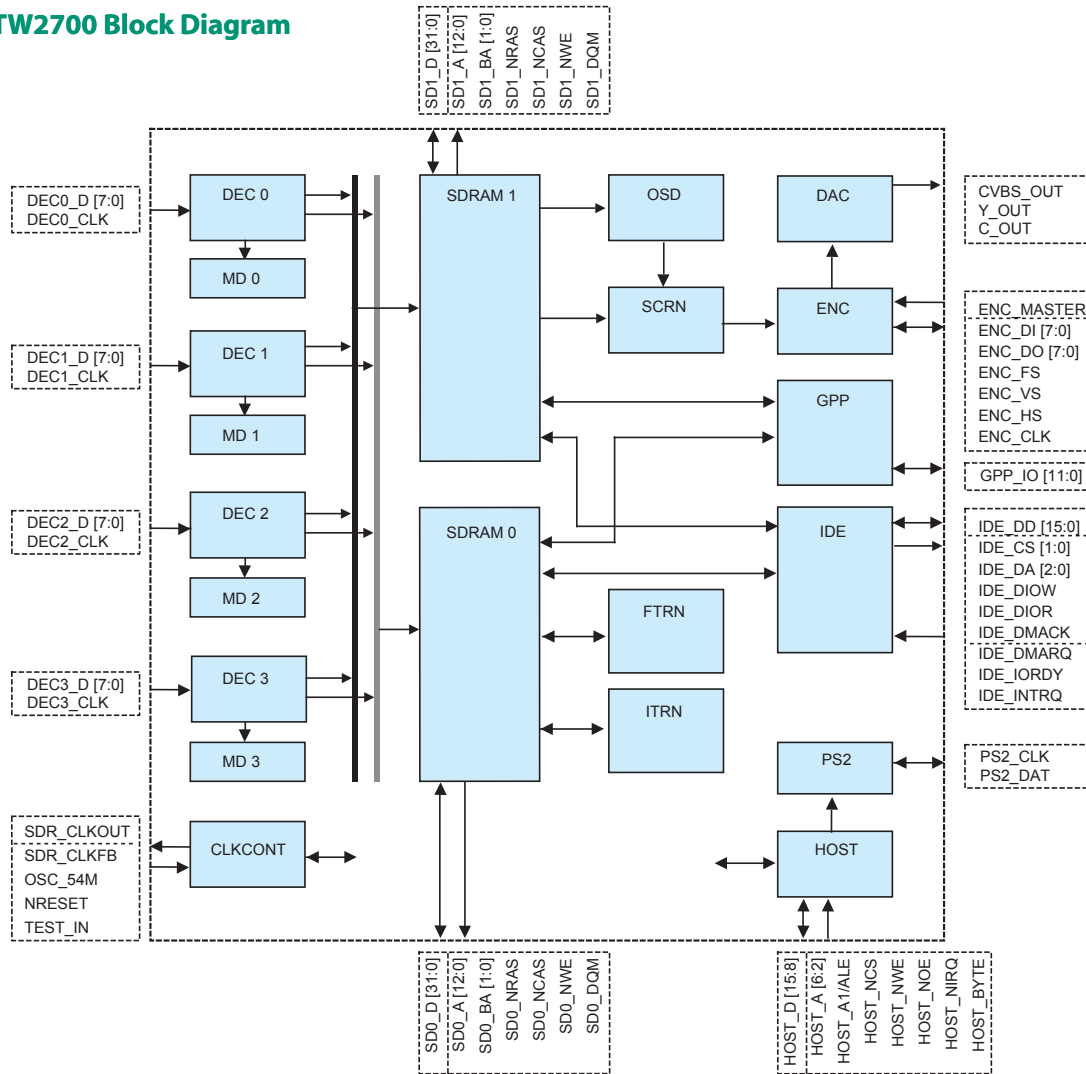
4 Channel Real Time Full D1 DVR Solution



TW2700

4 Channel MJPEG Compression Controller
For Security Applications

TW2700 Block Diagram



About Techwell

Techwell is a fabless semiconductor company that designs, markets and sells mixed signal integrated circuits for multiple digital video applications in the consumer, security surveillance and automotive markets, including advanced TVs, multifunction LCD monitors, DVD Recorders, security surveillance systems and in-car LCD displays. Founded in 1997, we currently have over 80 employees and are headquartered in San Jose, California, with additional R&D and sales activities in South Korea, Japan, Taiwan and China. NASDAQ:TWLL

For more information on Techwell, please contact us at 1-408-435-3888

© 2006 Techwell Inc. All rights reserved.
All other trademarks are property of their respective owners