

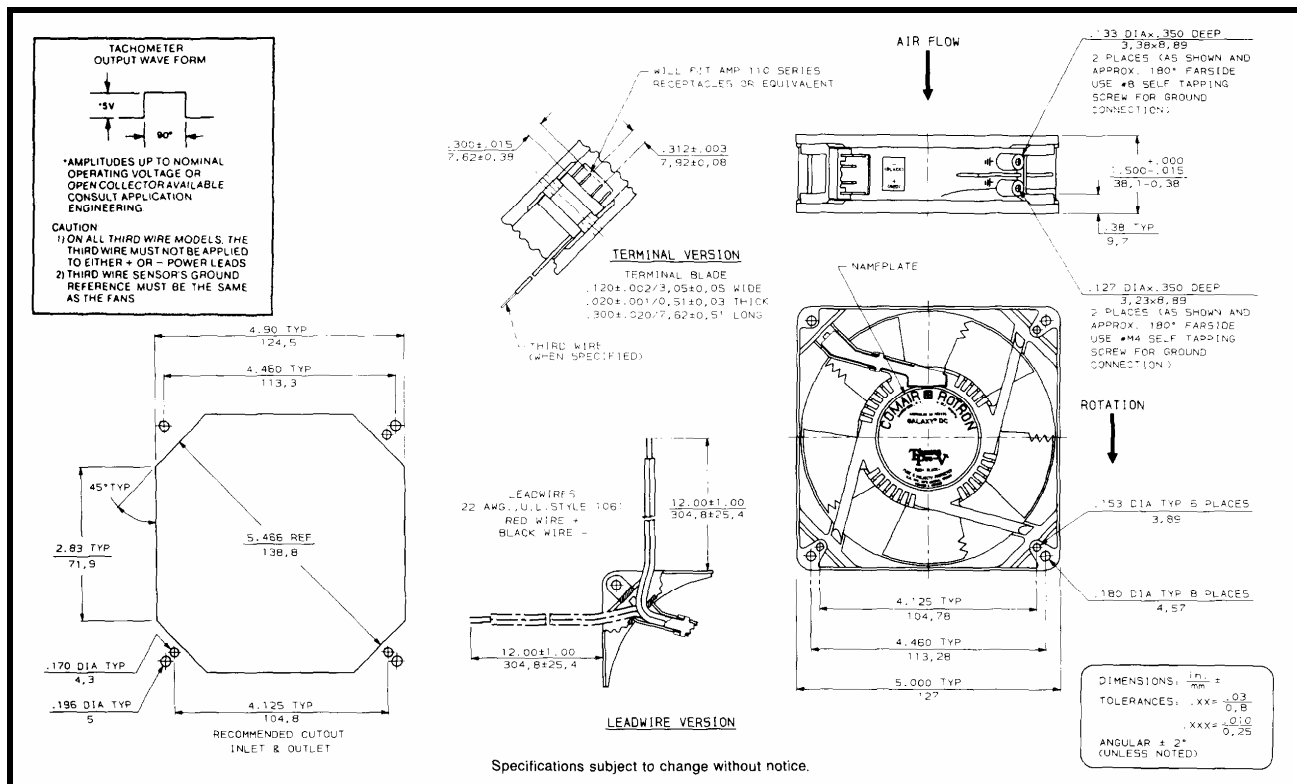
SPECIFICATIONS



Model Number: GL24S3TDN-E2
Part Number : 039992

January 31, 2006

Mechanical Drawing:



Motor: (Max Speed)

Nominal Voltage	= 24 vdc
Operating Voltage Range	= 12 - 28 vdc
Nominal Running Current	= 0.630 amps
Locked Rotor Current	= 1.350 amps
Running Power	= 15.0 Watts
Average Speed	= 3200 RPM
Bearings	= Ball
Air Flow	= 150 CFM
Acoustic	= 53.6 dBA

Construction:

Venturi: Die Cast Zinc, Black
Propeller: Plastic, Black, UL 94V-0

Life Expectancy:

This fan is designed for continuous duty life of 82,500 hours at 50°C.

Agency Certifications:

UL, CSA, TUV

Additional Features:

Brushless DC Motor
Locked Rotor Protection
Automatic Restart Capability
Polarity Protected
Operating Temperature: -10°C to 70°C
Storage Temperature: -40°C to 85°C
Enviro-Shield Type 2 Coating
Thermal Speed Control - PTC on Hub

Fan Performance Sensor:

Output:	5 volt TTL
I_c	20mA Max.
V_{cc}	28vdc
Logic:	High on Pass, Low on Fail
Delay:	10 sec. ± 4 sec.
Latching:	No
Isolated:	No

Termination:

12" Lead wires, 22 AWG, UL 1061
Red - Power (+)
Black - Ground (-)
Blue/White - FPS