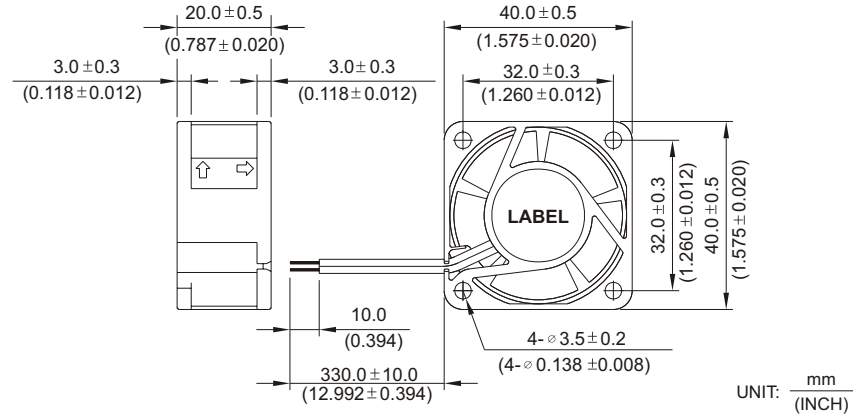


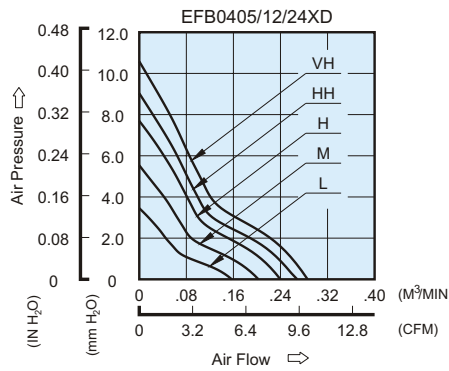
# EFB 40 x 40 x 20 MM SERIES

## DIMENSIONS DRAWING

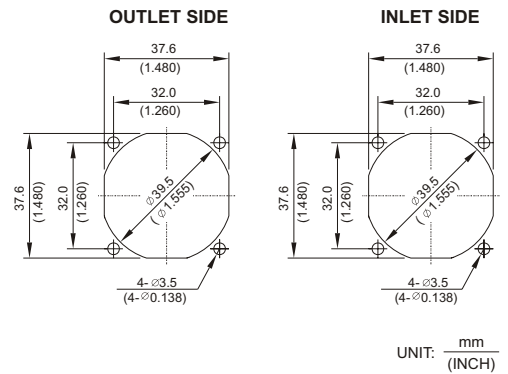


- \* Bearing Type  
Ball Bearings
- \* Material  
Impeller & Frame : Plastic (UL 94V-0)
- \* Lead Wires :  
UL 1007 AWG #24 Or Equivalent  
Red Wire Positive (+)  
Black Wire Negative (-)
- \* Weight : 33g (1.16 oz)
- \* Rib Type Only

## P & Q CURVE (AT RATED VOLTAGE)



## MOUNTING PANEL CUTOUT



| MODEL      |             | Rated Voltage | Operating Voltage Range | Rated Current | Rated Input Power | Speed  | Maximum Air Flow    |       | Maximum Air Pressure |                     | Noise |
|------------|-------------|---------------|-------------------------|---------------|-------------------|--------|---------------------|-------|----------------------|---------------------|-------|
| PART NO.   | FUNCTION    | VDC           | VDC                     | Amp           | Watt              | R.P.M. | m <sup>3</sup> /min | CFM   | mmH <sub>2</sub> O   | IN H <sub>2</sub> O | dB-A  |
| EFB0405LD  | -R00 / -F00 | 5             | 4.5 to 5.5              | 0.10          | 0.50              | 5000   | 0.157               | 5.54  | 3.45                 | 0.136               | 22.0  |
| EFB0412LD  | -R00 / -F00 | 12            | 7.0 to 13.8             | 0.05          | 0.60              |        |                     |       |                      |                     |       |
| EFB0424LD  | -R00 / -F00 | 24            | 14.0 to 27.6            | 0.04          | 0.96              |        |                     |       |                      |                     |       |
| EFB0405MD  | -R00 / -F00 | 5             | 4.5 to 5.5              | 0.15          | 0.75              | 6300   | 0.203               | 7.17  | 5.54                 | 0.218               | 24.0  |
| EFB0412MD  | -R00 / -F00 | 12            | 7.0 to 13.8             | 0.06          | 0.72              |        |                     |       |                      |                     |       |
| EFB0424MD  | -R00 / -F00 | 24            | 14.0 to 27.6            | 0.05          | 1.20              |        |                     |       |                      |                     |       |
| EFB0405HD  | -R00 / -F00 | 5             | 4.5 to 5.5              | 0.25          | 1.25              | 7600   | 0.242               | 8.54  | 7.69                 | 0.303               | 28.5  |
| EFB0412HD  | -R00 / -F00 | 12            | 7.0 to 13.8             | 0.08          | 0.96              |        |                     |       |                      |                     |       |
| EFB0424HD  | -R00 / -F00 | 24            | 14.0 to 27.6            | 0.06          | 1.44              |        |                     |       |                      |                     |       |
| EFB0405HHD | -R00 / -F00 | 5             | 4.5 to 5.5              | 0.30          | 1.50              | 8200   | 0.267               | 9.43  | 9.00                 | 0.354               | 30.5  |
| EFB0412HHD | -R00 / -F00 | 12            | 7.0 to 13.8             | 0.10          | 1.20              |        |                     |       |                      |                     |       |
| EFB0424HHD | -R00 / -F00 | 24            | 14.0 to 27.6            | 0.07          | 1.68              |        |                     |       |                      |                     |       |
| EFB0405VHD | -R00 / -F00 | 5             | 4.5 to 5.5              | 0.32          | 1.60              | 9000   | 0.286               | 10.10 | 10.57                | 0.416               | 32.5  |
| EFB0412VHD | -R00 / -F00 | 12            | 7.0 to 13.8             | 0.12          | 1.44              |        |                     |       |                      |                     |       |
| EFB0424VHD | -R00 / -F00 | 24            | 14.0 to 27.6            | 0.09          | 2.16              |        |                     |       |                      |                     |       |

\* Function type is optional.  
 \* The max. air flow and the speed are measured in free air ; max. air pressure is measured at zero air flow.  
 \* Noise is measured in anechoic chamber in free air, one meter from intake side.  
 \* All readings are typical values at rated voltage.  
 \* Specifications are subject to change without notice.