



## General Specifications

### Motor Protection:

Auto Restart/Polarity Protection

### Insulation Resistance:

10M  $\Omega$  or over with a DC500V Megger

### Dielectric Withstand Voltage: AC 700V 1s

### Allowable Ambient Temperature Range:

-10°C ~ +70°C (Operating)

-40°C ~ +70°C (Storage)

(non-condensing environment)

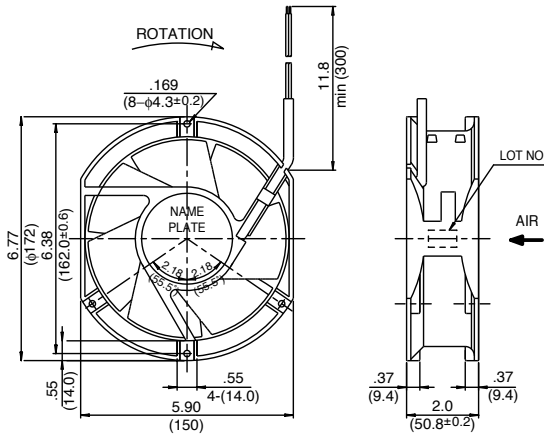
## Expected Life

### Failure Rate: 10%

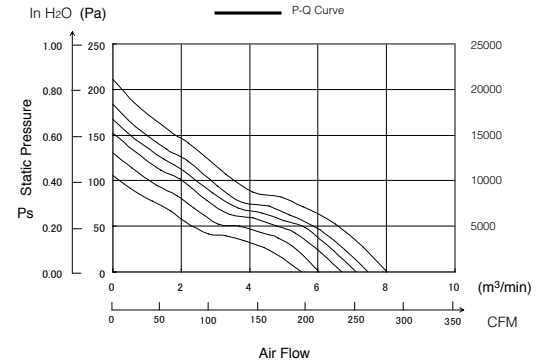
25°C 100,000 Hours (D00)

## Outline

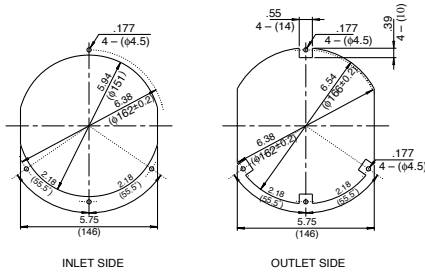
Units:  $\frac{\text{inch}}{\text{mm}}$



## Characteristic Curves



## Panel Cut-outs



## Material

Casing : Plastic (Black) 94V-0

Impeller : Plastic (Black) 94V-0

Bearing : Ball Bearing

Lead Wire : UL1007, AWG22, +Red, -Black

## Specifications

MODEL	Product No.	Rated Voltage	Operating Voltage	Current	Input Power	Speed	Max. Air Flow		Max. Static Pressure		Noise	Mass
		(V)	(V)	(A) <sup>*1</sup>	(W) <sup>*1</sup>	(min <sup>-1</sup> ) <sup>*1</sup>	CFM <sup>*1</sup>	(m <sup>3</sup> /min) <sup>*1</sup>	in H <sub>2</sub> O	(Pa) <sup>*1</sup>	(dB) <sup>*1</sup>	(g)
5920VL-07W-B10-	DXX	48	36 ~ 56	0.28	13.44	2550	194.5	5.51	.43	106	51.0	830
5920VL-07W-B20-	DXX	48	36 ~ 56	0.33	15.84	2850	213.2	6.04	.53	131	54.0	830
5920VL-07W-B30-	DXX	48	36 ~ 56	0.37	17.76	3150	236.5	6.70	.61	152	57.0	830
5920VL-07W-B40-	DXX	48	36 ~ 56	0.41	19.68	3350	251.0	7.11	.67	167	59.0	830
5920VL-07W-B50-	DXX	48	36 ~ 56	0.44	21.10	3500	263.3	7.46	.74	184	61.0	830
5920VL-07W-B60-	DXX	48	36 ~ 56	0.52	25.00	3750	283.1	8.02	.85	211	63.0	830

Rotation: Clockwise

Airflow Outlet: Air Out Over Struts

\*1: Average Values in Free Air