

**ebm-papst St. Georgen GmbH & Co. KG**

Hermann-Papst-Straße 1

78112 St. Georgen

Phone: +49 7724 81-0

Fax: +49 7724 81-1309

www.ebmpapst.com

info2@de.ebmpapst.com

**Nominal data**

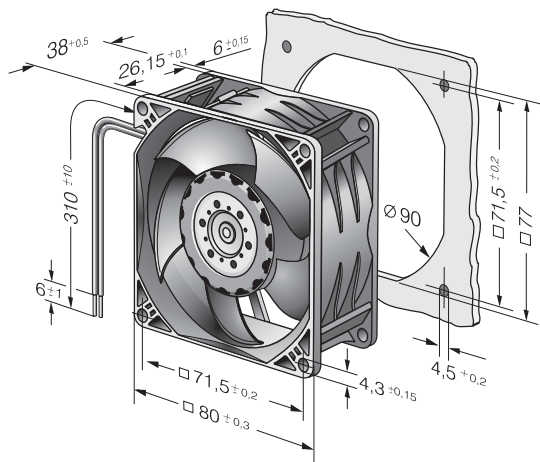
Type	8212 JH4	
Nominal voltage	[VDC]	12
Nominal voltage range	[VDC]	6 .. 13.8
Speed	[min <sup>-1</sup> ]	14000
Power input	[W]	39
Min. ambient temperature	[°C]	-20
Max. ambient temperature	[°C]	70
Air flow	[m <sup>3</sup> /h]	222
Sound power level	[B]	7.8
Sound pressure level	[dB(A)]	71

ml = max. load · me = max. efficiency · rfa = running at free air · cs = customer specs · cu = customer unit  
 Subject to alterations

### Technical features

<b>Dimensions</b>	80 x 80 x 38 mm
<b>General description</b>	Rigid compression curve for high air flow at high counterpressure. Innovative impeller design with winglets for low noise. Optional Vario-Pro: Highly flexible software configuration for the fan ensures an easily customizable solution to meet the individual requirements of your application. Electronic commutation completely integrated.
<b>Connection line</b>	Single strands AWG 22, TR 64, bared and tin-plated.
<b>Direction of protection</b>	Left, looking at rotor
<b>Direction of air flow</b>	Air exhaust over bars
<b>Note</b>	Available in standard model with PWM control input and speed signal. Speed control range from 2000 rpm to maximum nominal speed. Standstill at 0% PWM, maximum speed at sensor break.
<b>Bearing</b>	Ball bearings
<b>Lifetime L10 at 40 °C</b>	50000 h
<b>Lifetime L10 at maximum temperature</b>	25000 h
<b>Mass</b>	0.200 kg
<b>Housing material</b>	Fiberglass-reinforced PBT plastic
<b>Material of impeller</b>	Fiberglass-reinforced PA plastic
<b>Motor protection</b>	Protected against reverse polarity and locking.
<b>Option</b>	Speed signal

## Product drawing



## Charts: Air flow

