

**ebm-papst St. Georgen GmbH & Co. KG**

Hermann-Papst-Straße 1

D-78112 St. Georgen

Phone: +49(0)7724/81-0

Fax: +49(0)7724/81-1309

info2@de.ebmpapst.com

www.ebmpapst.com

Nominal data

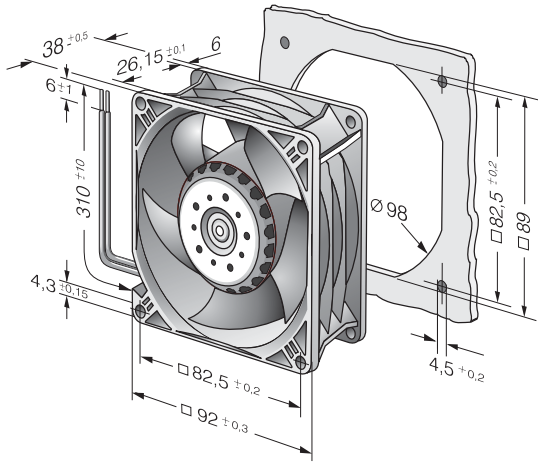
| Type | 3214 JH | |
|--------------------------|----------------------|----------|
| Nominal voltage | [VDC] | 24 |
| Nominal voltage range | [VDC] | 11 .. 30 |
| Speed | [min ⁻¹] | 6800 |
| Power input | [W] | 9 |
| Min. ambient temperature | [°C] | -20 |
| Max. ambient temperature | [°C] | 70 |
| Air flow | [m ³ /h] | 146 |
| Sound power level | [B] | 6.4 |
| Sound pressure level | [dB(A)] | 55 |

ml = max. load · me = max. efficiency · rfa = running at free air · cs = customer specs · cu = customer unit
 Subject to alterations

Technical features

| | |
|--|--|
| Dimensions | 92 x 92 x 38 mm |
| General description | Rigid compression curve for high air flow at high counterpressure. Innovative impeller design with winglets for low noise. Optional Vario-Pro: Highly flexible software configuration for the fan ensures an easily customisable solution to meet the individual requirements of your application. Electronic commutation completely integrated. |
| Connection line | Single strands AWG 24, TR 64, bared and tin-plated. |
| Direction of protection | Clockwise, looking at rotor |
| Direction of air flow | Air exhaust over bars |
| Bearing | Ball bearings |
| Lifetime L10 at 40 °C | 70000 h |
| Lifetime L10 at maximum temperature | 35000 h |
| Mass | 0.24 kg |
| Housing material | Fiberglass-reinforced PBT plastic |
| Material of impeller | Fiberglass-reinforced PA plastic |
| Motor protection | Protected against reverse polarity and locking. |
| Option | Speed signal |
| Approval | VDE, CSA, UL |

Product drawing



Charts: Air flow

