

4412 H

DC axial compact fan

sickled blades (S series)



ebm-papst St. Georgen GmbH & Co. KG

Hermann-Papst-Straße 1

78112 St. Georgen

Phone: +49 7724 81-0

Fax: +49 7724 81-1309

www.ebmpapst.com

info2@de.ebmpapst.com

Nominal data

Type	4412 H	
Nominal voltage	[VDC]	12
Nominal voltage range	[VDC]	7 .. 14
Speed	[min ⁻¹]	4300
Power input	[W]	8.9
Min. ambient temperature	[°C]	-20
Max. ambient temperature	[°C]	70
Air flow	[m ³ /h]	240
Sound power level	[B]	6.0
Sound pressure level	[dB(A)]	50

ml = max. load · me = max. efficiency · rfa = running at free air · cs = customer specs · cu = customer unit
Subject to alterations

Technical features

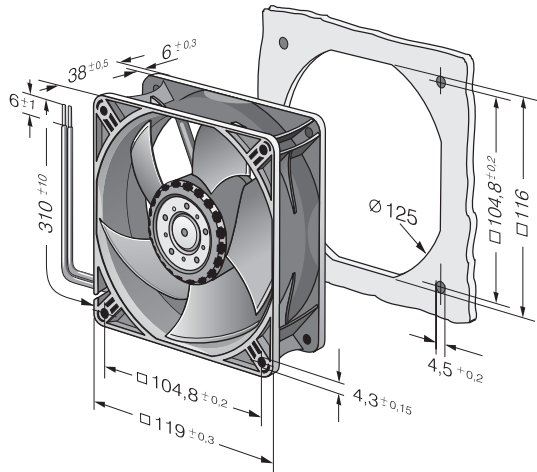
Dimensions	119 x 119 x 38 mm
General description	Innovative impeller with winglets for low noise. Electronic commutation completely integrated.
Connection line	Single strands AWG 24, TR 64, bared and tin-plated.
Direction of protection	Right, looking at rotor
Direction of air flow	Air exhaust over bars
Bearing	Ball bearings
Lifetime L10 at 40 °C	57500 h
Lifetime L10 at 70 °C	27500 h
Lifetime L10 at maximum temperature	27500 h
Mass	0.250 kg
Housing material	Fiberglass-reinforced PBT plastic
Material of impeller	Fiberglass-reinforced PBT plastic
Motor protection	Protected against reverse polarity and locking.
Option	Control inputs such as alarm and speed signals.

4412 H

DC axial compact fan

sickled blades (S series)

Product drawing



Charts: Air flow

