

General Specifications

Motor Protection:

Auto Restart/Polarity Protection

Insulation Resistance:

10M Ω or over with a DC500V Megger

Dielectric Withstand Voltage: AC 700V 1s

Allowable Ambient Temperature Range:

-10°C ~ +70°C (B50~B80) (Operating)

-10°C ~ +60°C (B90) (Operating)

-40°C ~ +70°C (Storage)

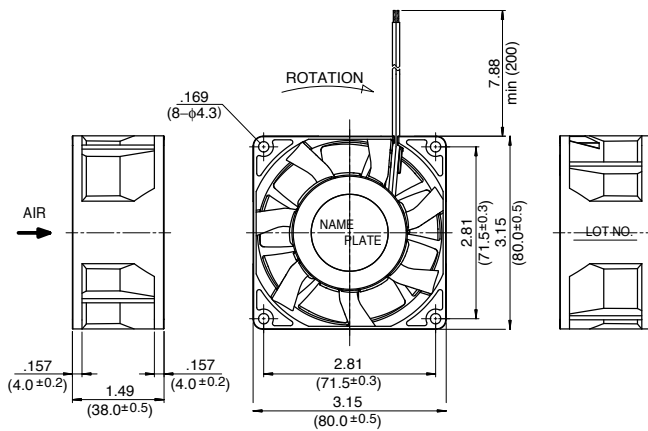
Expected Life

Failure Rate: 10%

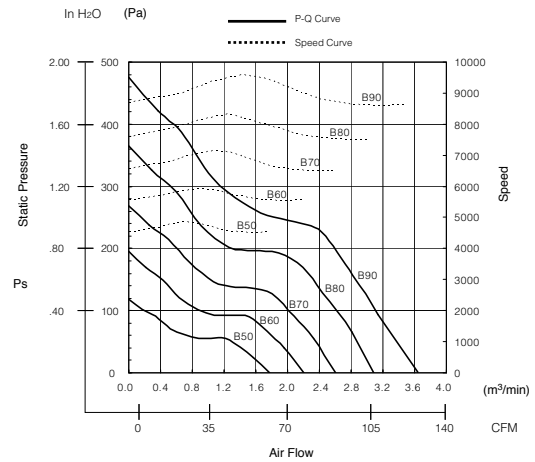
25°C 100,000 Hours (E00)

Outline

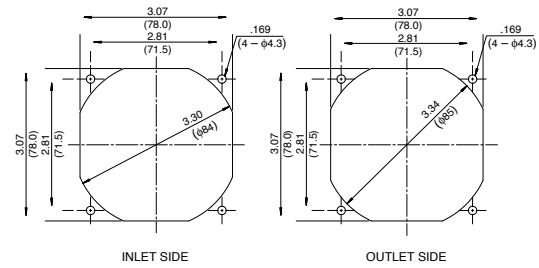
Units: $\frac{\text{inch}}{\text{mm}}$



Characteristic Curves



Panel Cut-outs



Material

Casing : Plastic (Black) 94V-0

Impeller : Plastic (Black) 94V-0

Bearing : Ball Bearing

Lead Wire: UL1007, AWG24/26, +Red, -Black

Specifications

MODEL	Product No.	Rated Voltage	Operating Voltage	Current	Input Power	Speed	Max. Air Flow		Max. Static Pressure		Noise	Mass
		(V)	(V)	(A) ^{*1}	(W) ^{*1}	(min ⁻¹) ^{*1}	CFM ^{*1}	(m ³ /min) ^{*1}	in H ₂ O	(Pa) ^{*1}	(dB) ^{*1}	(g)
3115RL-04W-B50-	EXX	12	7 ~ 13.8	0.41	4.9	4500	61.8	1.75	0.46	115	46.0	205
3115RL-04W-B60-	EXX	12	7 ~ 13.8	0.73	8.8	5500	75.9	2.15	0.72	180	51.0	205
3115RL-04W-B70-	EXX	12	7 ~ 13.8	1.15	13.8	6500	91.8	2.60	1.04	260	56.0	205
3115RL-04W-B80-	EXX	12	7 ~ 13.2	1.75	21.0	7500	105.9	3.00	1.42	355	59.5	205
3115RL-04W-B90-	EXX	12	7 ~ 12.6	2.70	32.4	8600	123.6	3.50	1.88	470	62.5	205

Rotation: Clockwise

Airflow Outlet: Air Out Over Struts

*1: Average Values in Free Air