

255 H

## DC axial compact fan



### ebm-papst St. Georgen GmbH & Co. KG

Hermann-Papst-Straße 1

78112 St. Georgen

Phone: +49 7724 81-0

Fax: +49 7724 81-1309

www.ebmpapst.com

info2@de.ebmpapst.com

### Nominal data

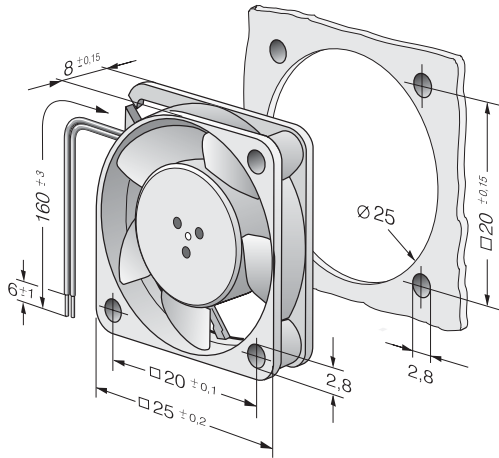
Type	255 H	
Nominal voltage	[VDC]	5
Nominal voltage range	[VDC]	4.5 .. 5.5
Speed	[min <sup>-1</sup> ]	12000
Power input	[W]	0.6
Min. ambient temperature	[°C]	-10
Max. ambient temperature	[°C]	55
Air flow	[m <sup>3</sup> /h]	4.5
Sound power level	[B]	4.4
Sound pressure level	[dB(A)]	23

ml = max. load · me = max. efficiency · rfa = running at free air · cs = customer specs · cu = customer unit  
Subject to alterations

**Technical features**

<b>Dimensions</b>	25 x 25 x 8 mm
<b>General description</b>	Compact fan with low power consumption. Electronic commutation completely integrated.
<b>Connection line</b>	Single strands AWG 28, TR 64, bared and tin-plated.
<b>Direction of protection</b>	Left, looking at rotor
<b>Direction of air flow</b>	Air exhaust over bars
<b>Bearing</b>	Sintec sleeve bearing system
<b>Lifetime L10 at 20 °C</b>	35000 h
<b>Lifetime L10 at maximum temperature</b>	10000 h
<b>Mass</b>	0.005 kg
<b>Housing material</b>	Fiberglass-reinforced PBT plastic
<b>Material of impeller</b>	Fiberglass-reinforced PA plastic
<b>Motor protection</b>	Protected against reverse polarity and locking.
<b>Option</b>	Speed signal
<b>Approval</b>	VDE, CSA, UL, CE

## Product drawing



Charts: Air flow

