

SPECIFICATIONS

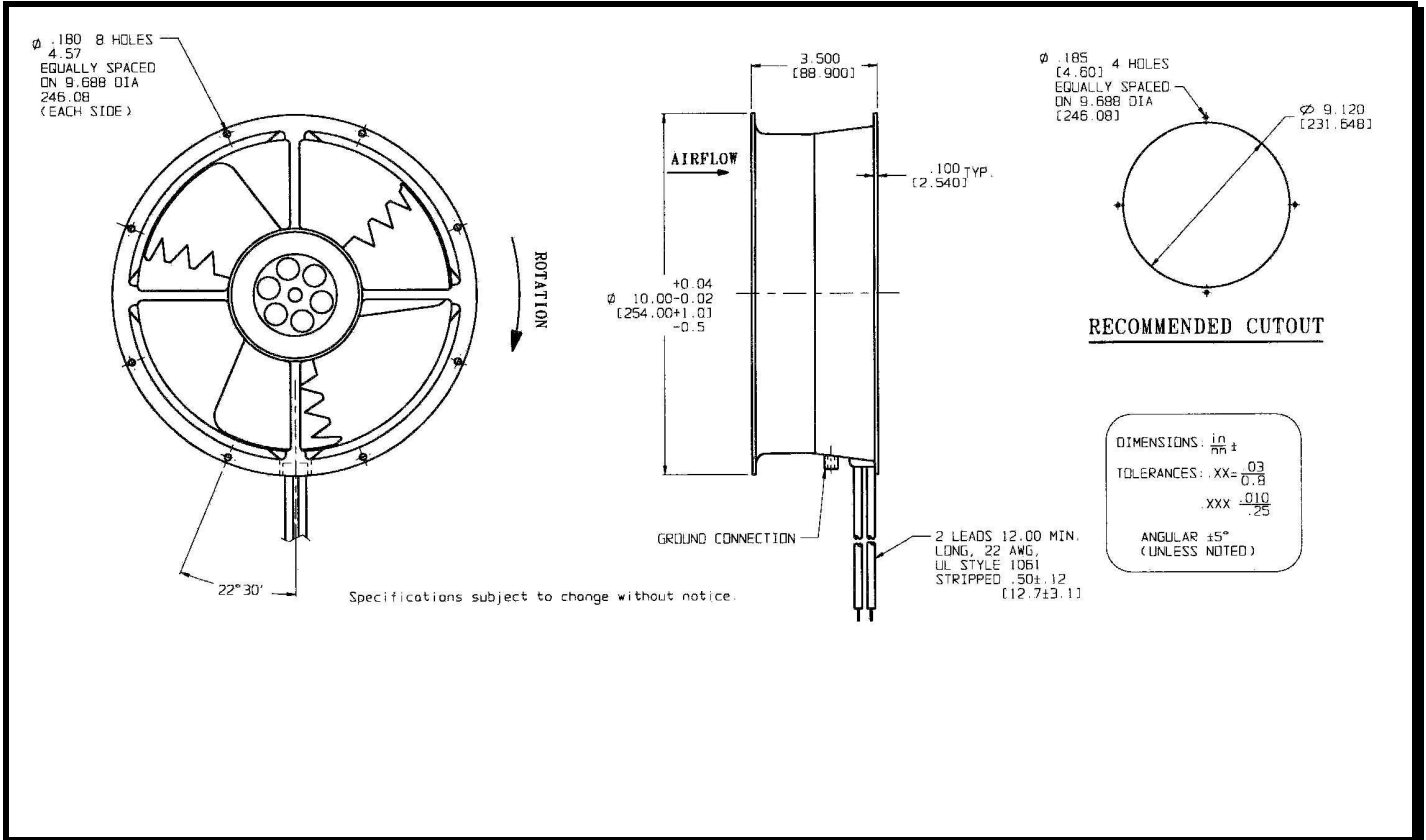
Preliminary Data



Model Number: CD24R7X
Part Number: 040396

August 15, 2005

Mechanical Drawing:



Motor:

Nominal Voltage	= 24 vdc
Operating Voltage Range	= 12 - 28 vdc
Nominal Running Current	= 1.200 amps
Locked Rotor Current	= 3.000 amps
Running Power	= 29.0 watts
Average Speed	= 1650 rpm
Bearings	= Ball
Air Flow	= 550 cfm
Acoustic	= 47.5 dBA

Construction:

Venturi: Die-Cast Aluminum, Black
 Propeller: Polycarbonate, Black, UL 94V-0

Life Expectancy:

This fan is designed for continuous duty life of 60,000 hours at 40°C.

Agency Approvals:

UL, CSA, TUV

Additional Features:

Brushless DC Motor
 Locked Rotor Protection
 Polarity Protected
 Automatic Restart Capability
 Operating Temperature: -10°C to 70°C
 Storage Temperature: -40°C to 85°C
 Programmable

Tachometer:

Output: Open Collector
 I_c : 20 mA Max.
 V_{cc} : 28 Vdc Max
 Pulses Per Revolution: 2
 Isolated: No

Termination:

12" Lead wires, 22 AWG, UL 1061
 Red - Power
 Black - Return
 Blue/White - Tachometer
 Yellow - Program