



Sprite - SD24K5 - 031706 - No
 (Family) (Model) (Part #) (In Stock)

Electrical Specifications

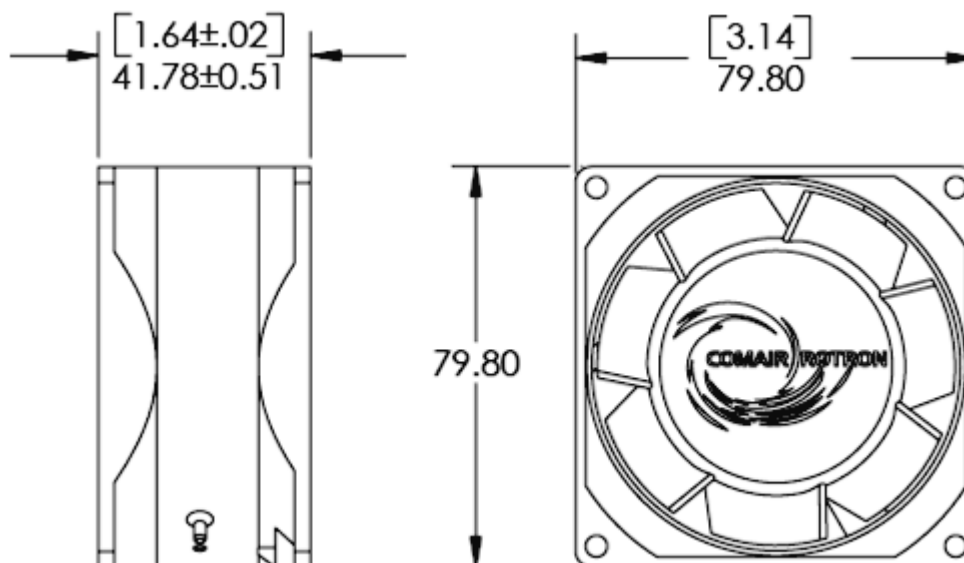
Operating Voltage:	24 Volts
Voltage Range:	12 - 28 Volts
Power Supply:	5.5 Watts
Line Current:	0.23 Amps
Locked Rotor Current	1.07 Amps
Nominal Speed:	4200 RPM

Mechanical Specifications

Dimensions:	3.1 x 3.1 x 1.7 in
Weight	17.99 oz
Max Airflow @ 0 in H ₂ O	50.0 CFM
Max Pressure @ 0 CFM	0.256 in H ₂ O
Noise	n/a



Mechanical Drawing



Comair Rotron, Inc.
 Phone: 619.651.2000
sales@comairrotron.com

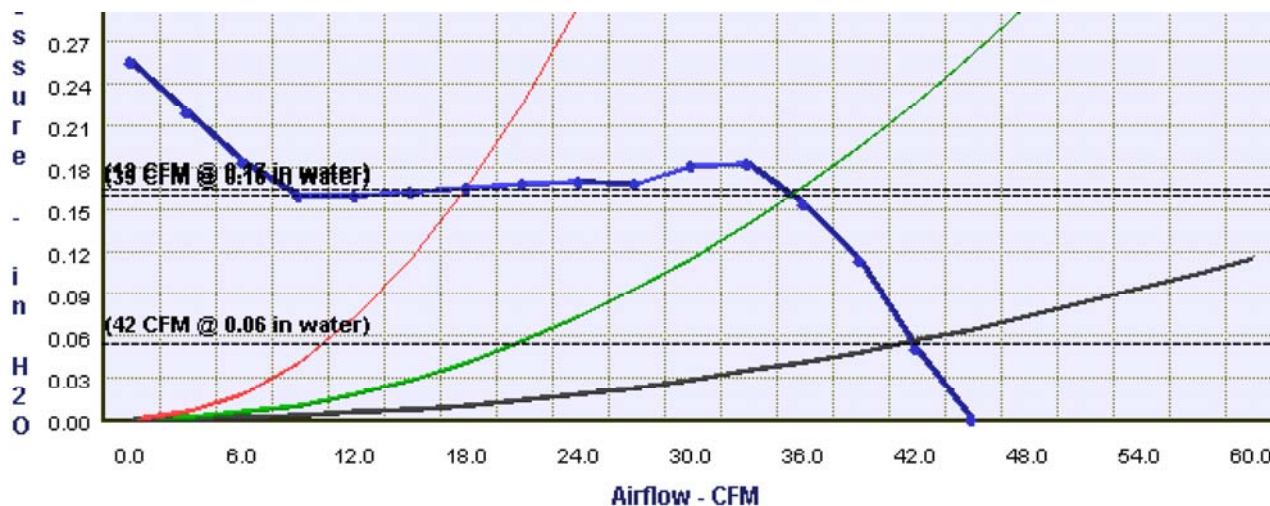
Comair Rotron Europe, Ltd.
 Phone: +44.1527.520525
saleseurope@comairrotron.com

Comair Rotron Fan Company Ltd.
 Phone: +86.21.52260581
salesasia@comairrotron.com

Print Date: Wednesday, November 10, 2010 at 10:04:10 - DC Fan Datasheet - Web Version 1.0 Rev. B



Fan Performance Curve



Fan Configuration Options

Sprite (Family) **SD24K5** (Model) / **031706** (Part #) **No** (In Stock) 305 mm [12 inch] Leads (Features)

Fan Speed: 4200 RPM Fan Bearings: Ball Bearings
 Fan Airflow Direction: Flow L (CW Rotation) Fan Termination: Leads

Fan Monitoring Options: TTL (+5V) Tachometer Output

Fan Speed Control Option: No ThermaPro-V Fan Speed Control Options Selected

Environmental Protection Options: No Enviroshield Options Selected

Comair Rotron, Inc.
 Phone: 619.651.2000
 sales@comairrotron.com

Comair Rotron Europe, Ltd.
 Phone: +44.1527.520525
 saleseurope@comairrotron.com

Comair Rotron Fan Company Ltd.
 Phone: +86.21.52260581
 salesasia@comairrotron.com

Print Date: Wednesday, November 10, 2010 at 10:04:10 - DC Fan Datasheet - Web Version 1.0 Rev. B

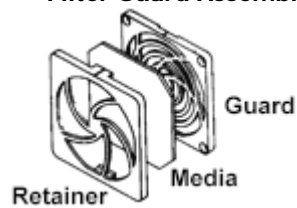


Accessories [\(Click on part number for detailed drawing.\)](#)

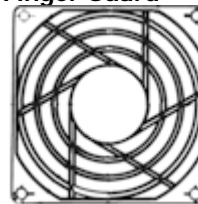
- 571064
Plug and Cord



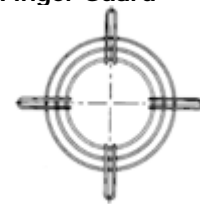
- 554141
Filter Guard Assembly



- 550648
Finger Guard



- 476143
Finger Guard



Comair Rotron, Inc.
Phone: 619.651.2000
sales@comairrotron.com

Comair Rotron Europe, Ltd.
Phone: +44.1527.520525
saleseurope@comairrotron.com

Comair Rotron Fan Company Ltd.
Phone: +86.21.52260581
salesasia@comairrotron.com

Print Date: Wednesday, November 10, 2010 at 10:04:10 - DC Fan Datasheet - Web Version 1.0 Rev. B