



**Sprite - SD48B5 - 030769 - No**  
 (Family) (Model) (Part #) (In Stock)

## Electrical Specifications

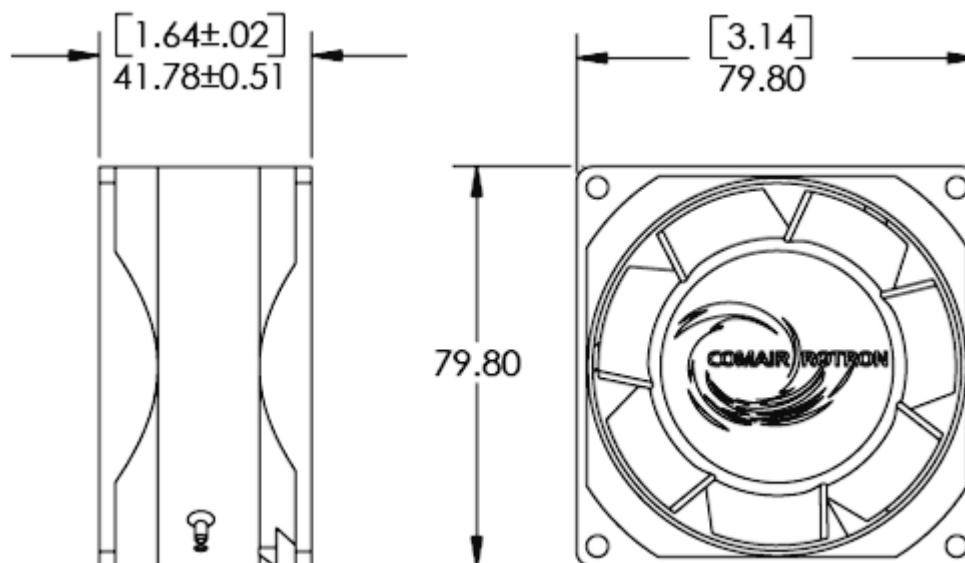
Operating Voltage:	48 Volts
Voltage Range:	24 - 56 Volts
Power Supply:	3.0 Watts
Line Current:	0.06 Amps
Locked Rotor Current	0.30 Amps
Nominal Speed:	3500 RPM

## Mechanical Specifications

Dimensions:	3.1 x 3.1 x 1.7 in
Weight	17.99 oz
Max Airflow @ 0 in H <sub>2</sub> O	35.0 CFM
Max Pressure @ 0 CFM	0.152 in H <sub>2</sub> O
Noise	47.6 dBA



## Mechanical Drawing



Comair Rotron, Inc.  
 Phone: 619.651.2000  
[sales@comairrotron.com](mailto:sales@comairrotron.com)

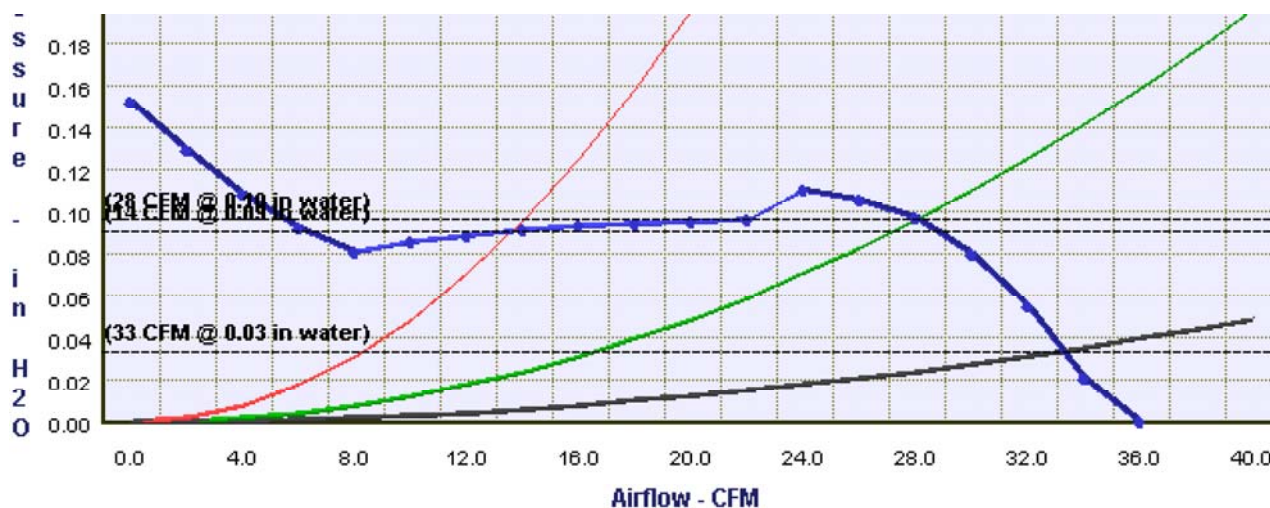
Comair Rotron Europe, Ltd.  
 Phone: +44.1527.520525  
[saleseurope@comairrotron.com](mailto:saleseurope@comairrotron.com)

Comair Rotron Fan Company Ltd.  
 Phone: +86.21.52260581  
[salesasia@comairrotron.com](mailto:salesasia@comairrotron.com)

Print Date: Wednesday, November 10, 2010 at 10:03:06 - DC Fan Datasheet - Web Version 1.0 Rev. B



## Fan Performance Curve



## Fan Configuration Options

**Sprite**      **SD48B5** / **030769**      **No**      305 mm [12 inch] Leads  
 (Family)      (Model)      (Part #)      (In Stock)      (Features)

Fan Speed:      3500 RPM      Fan Bearings:      Ball Bearings  
 Fan Airflow Direction:      Flow L (CW Rotation)      Fan Termination:      Leads

Fan Monitoring Options:      TTL (+5V) Tachometer Output

Fan Speed Control Option:      No ThermaPro-V Fan Speed Control Options Selected

Environmental Protection Options:      No Enviroshield Options Selected

Comair Rotron, Inc.  
 Phone: 619.651.2000  
 sales@comairrotron.com

Comair Rotron Europe, Ltd.  
 Phone: +44.1527.520525  
 saleseurope@comairrotron.com

Comair Rotron Fan Company Ltd.  
 Phone: +86.21.52260581  
 salesasia@comairrotron.com

Print Date: Wednesday, November 10, 2010 at 10:03:06 - DC Fan Datasheet - Web Version 1.0 Rev. B

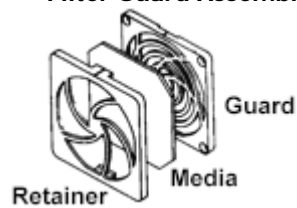


## Accessories [\(Click on part number for detailed drawing.\)](#)

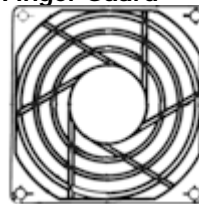
- 571064  
Plug and Cord



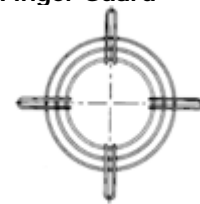
- 554141  
Filter Guard Assembly



- 550648  
Finger Guard



- 476143  
Finger Guard



**Comair Rotron, Inc.**  
Phone: 619.651.2000  
sales@comairrotron.com

**Comair Rotron Europe, Ltd.**  
Phone: +44.1527.520525  
saleseurope@comairrotron.com

**Comair Rotron Fan Company Ltd.**  
Phone: +86.21.52260581  
salesasia@comairrotron.com

Print Date: Wednesday, November 10, 2010 at 10:03:06 - DC Fan Datasheet - Web Version 1.0 Rev. B