

RG160NTD Series

Flatpak

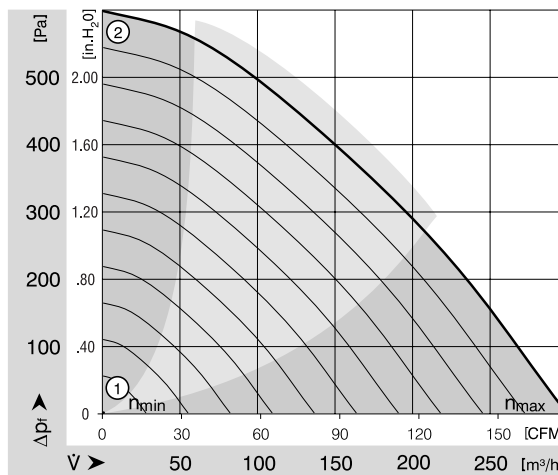
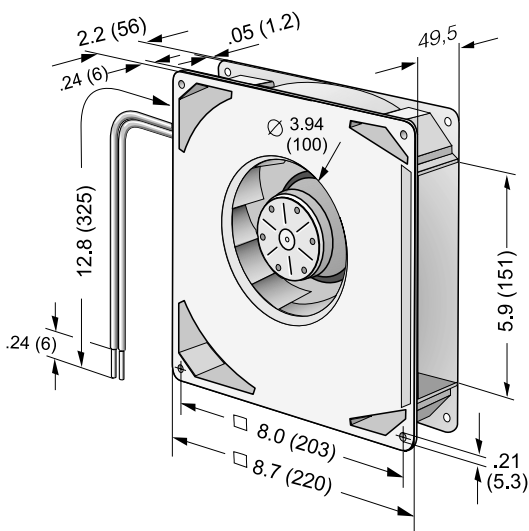
220x220x56mm TURBOFAN



- DC radial blower with electronically commutated external rotor motor. Fully integrated commutation electronics.
- With electronic protection against reverse polarity and overloading.
- Spiral housing and blower of fiber-glass reinforced plastic. Housing base of galvanised steel plate.
- Radial air exhaust through housing port.
- Electrical connection via 2 leads AWG 22, TR 64. Stripped and tinned ends.
- UL, CSA, VDE approvals on some models, please contact application engineering.

Part Number	Curve	CFM @ 0	VDC	Volt. Range	Power (W)	dB(A)	Max Amb. Temp C	Bearing Type	Features	Wgt. (lbs)
min	RG160-28/14NTDI	1	24	16 to 28	2.0	-	60	Ball	Leads	3.08
max		2			20.6	64.0				
min	RG160-28/18NTDI	1	48	38 to 57	2.0	-	70	Ball	Leads	3.08
max		2			20.6	58.0				

Temperature-controlled fan operation. NTC sensor integrated in fan.



ebmpapst

e-mail: sales@us.ebmpapst.com · TEL: 860-674-1515 · FAX: 860-674-8536

ebm-papst Inc., 100 Hyde Road, Farmington, CT 06034 USA

ebm-papst Inc., 2006 © ebm-papst Inc. reserves the right to change any specifications or data without notice