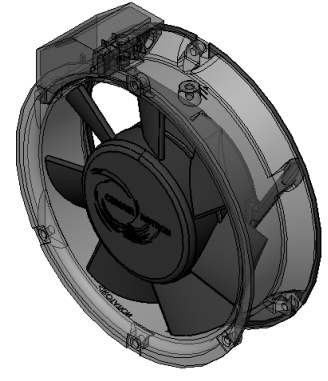
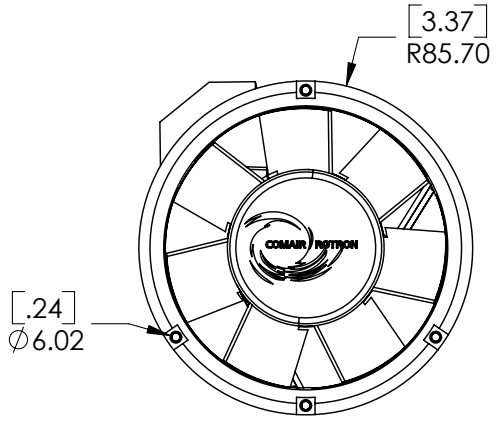
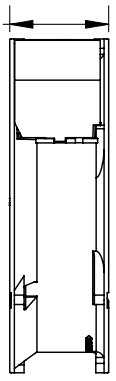


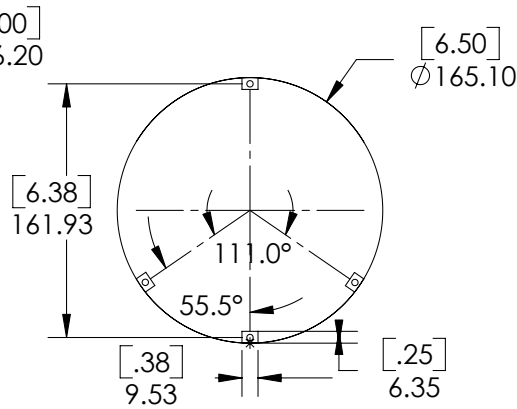
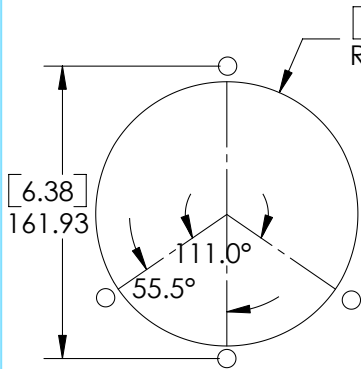
$\begin{bmatrix} 2.00 \\ -0.01 \end{bmatrix}^{+.03}$
 $50.80^{+.80}$
 -0.30



RECOMMENDED CUTOUTS

INLET (PROP) SIDE

EXHAUST (SPIDER) SIDE



CONTACT INFO:		WWW.COMAIRROTRON.COM	SALES@COMAIRROTRON.COM
TOLERANCE UNLESS OTHERWISE SPECIFIED	AMERICAN PROJECTION	(619) 661 - 6688	3D MODEL FOUND AT..
2 PL. DEC. # 03 [.8]			
3 PL. DEC. # 010 [25]			
ANGULAR # 30°			

PATRIOT AC