

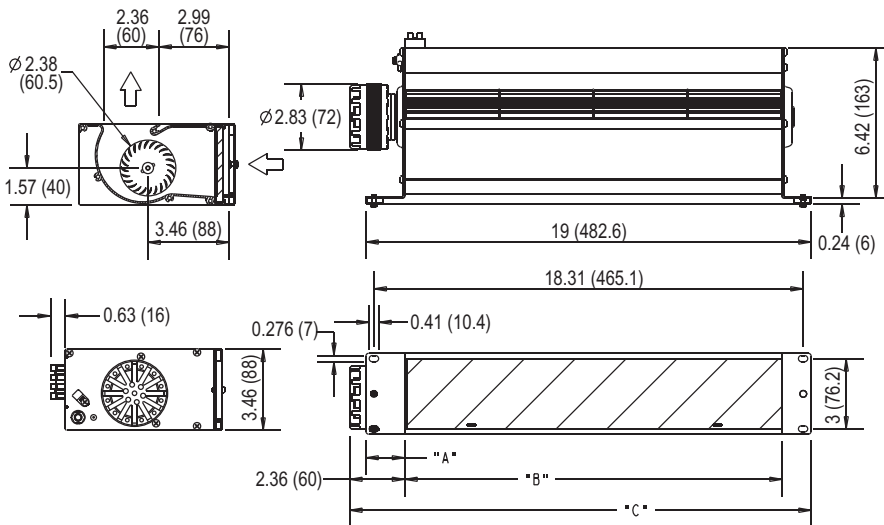
# FE1Q060 Series Crossflow Blower

## 380... 409mm x Ø 60mm Impeller

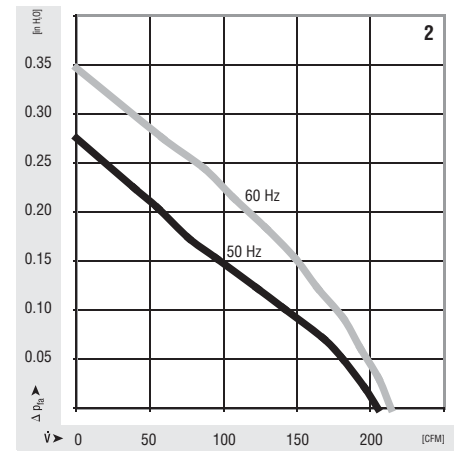
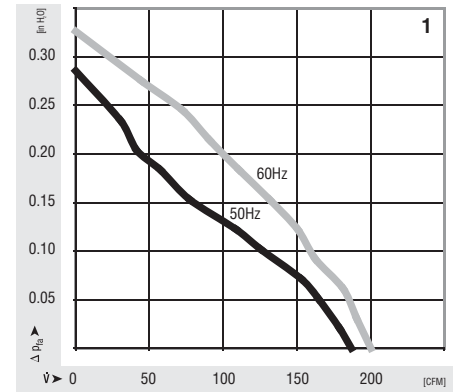


- Impeller made of aluminum
- PSC (permanent split capacitor) motor. Bearings in motor and counter-bearing are all ball-bearing.
- Extrusion made of aluminum
- End plates finished in black powder coat paint
- UL recognition, CE
- Electrical connections via a terminal block
- Blowers with grill include filter media

| Part Number     | Curve | VAC | Hertz | Airflow (CFM)* | Power Input (W)* | Noise (dBA) | Max Amb. Temp. °C | Weight (lbs.) | Grill | in.(mm)  |            |            |
|-----------------|-------|-----|-------|----------------|------------------|-------------|-------------------|---------------|-------|----------|------------|------------|
|                 |       |     |       |                |                  |             |                   |               |       | A        | B          | C          |
| FE1Q-115-060-01 | 2     | 115 | 60    | 215            | 32               | 55          | 60                | 5.0           | Yes   | 1.65(42) | 16.10(409) | 19.69(500) |
| FE1Q-115-060-02 | 1     | 115 | 60    | 200            | 31               | 56          | 60                | 5.0           | Yes   | 1.65(42) | 14.96(380) | 19.69(500) |
| FE1Q-230-060-01 | 2     | 230 | 50/60 | 205/215        | 30/39            | 55          | 60                | 4.5           | No    | 1.65(42) | 16.10(409) | 19.69(500) |
| FE1Q-230-060-02 | 2     | 230 | 50/60 | 205/215        | 30/39            | 55          | 60                | 5.0           | Yes   | 1.65(42) | 16.10(409) | 19.69(500) |
| FE1Q-230-060-03 | 1     | 230 | 50/60 | 188/200        | 29/38            | 54/56       | 60                | 4.5           | No    | 3.03(77) | 14.96(380) | 18.54(471) |
| FE1Q-230-060-04 | 1     | 230 | 50/60 | 188/200        | 29/38            | 54/56       | 60                | 5.0           | Yes   | 3.03(77) | 14.96(380) | 18.54(471) |



\* Data based on free delivery conditions. Subject to alterations.



**ebmpapst**

e-mail: [sales@us.ebmpapst.com](mailto:sales@us.ebmpapst.com) · TEL: 860-674-1515 · FAX: 860-674-8536

ebm-papst Inc., 100 Hyde Road, Farmington, CT 06034 USA

ebm-papst Inc., 2006 © ebm-papst Inc. reserves the right to change any specifications or data without notice

# FE1Q060 Series Crossflow Blower

## Accessories - Grill

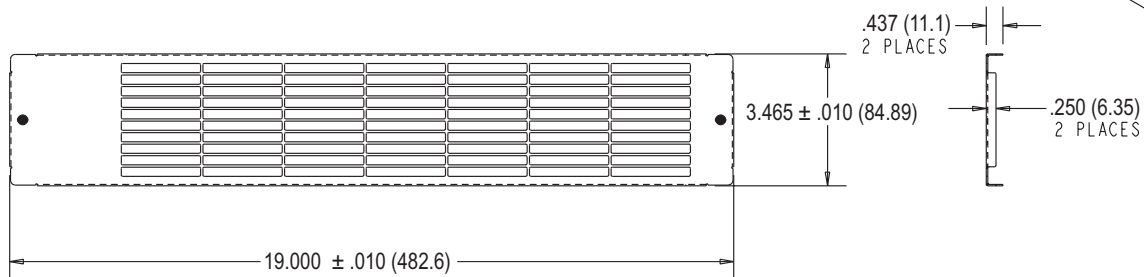
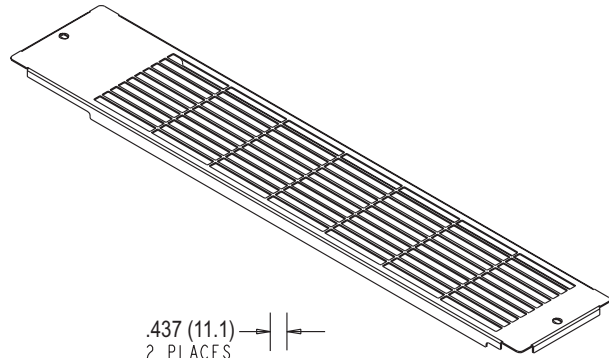
■ Available accessories:

| PN              | Desc.  |
|-----------------|--|
| HX0F-000-060-01 | Grill & Fasteners for 380mm CrossFlow Blower |
| HX0F-000-060-02 | Grill & Fasteners for 409mm CrossFlow Blower |
| 715-00-0062     | Replacement 380mm filter                     |
| 715-00-0060     | Replacement 409mm filter                     |

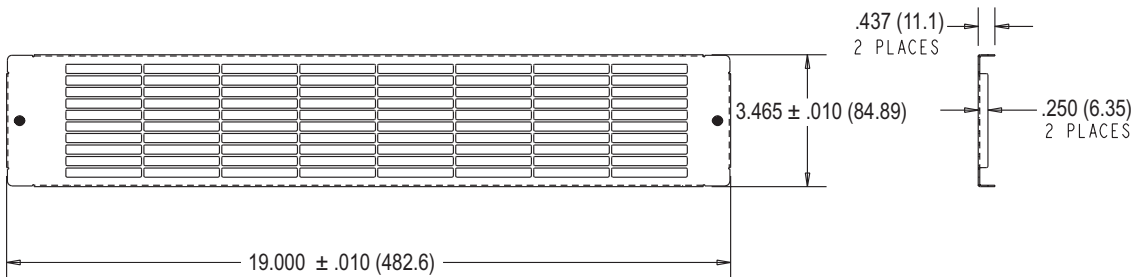
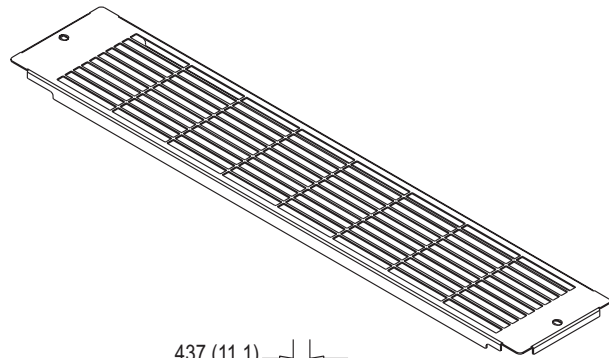
■ Filter: 0.31 inches thick, 25 PPI, open cell  
black polyurethane foam rated UL900 Class 2



HX0F-000-060-01



HX0F-000-060-02



**ebmpapst**

e-mail: [sales@us.ebmpapst.com](mailto:sales@us.ebmpapst.com) · TEL: 860-674-1515 · FAX: 860-674-8536

ebm-papst Inc., 100 Hyde Road, Farmington, CT 06034 USA

ebm-papst Inc., 2006 © ebm-papst Inc. reserves the right to change any specifications or data without notice