



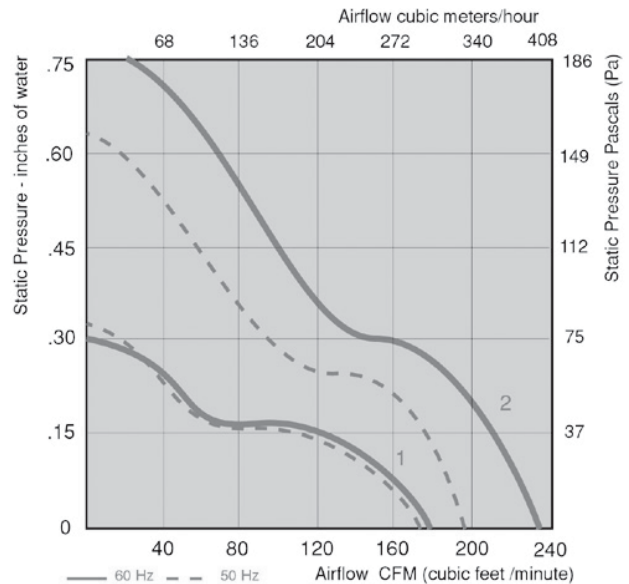
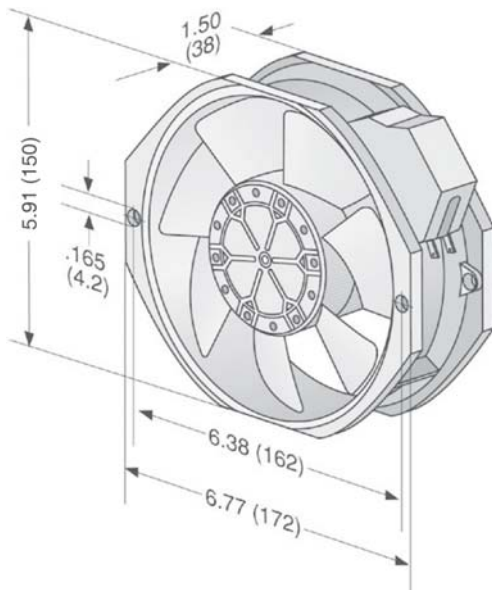
# W2E142 Series

Tubeaxial

150x172x38mm

- AC fans with external rotor shaded-pole motor.
- Die-cast aluminum housing. Impeller of sheet-steel, directly welded onto rotor.
- Air exhaust over struts. Rotational direction CCW looking at rotor.
- Mounting from either face using two 4.3 mm holes.
- Electrical connection via 2 flat pin terminals 2.8 x 0.5 mm.
- Mounting from either face using 2 4.3 mm (.169") holes.
- UL, CSA, VDE approvals on some models, please contact application engineering.

| Part Number    | Curve | CFM @ 0 | VAC | Hertz | Power (W) | dBA | Max Amb. Temp C | Bearing Type | Features  | Wgt. (lbs) |
|----------------|-------|---------|-----|-------|-----------|-----|-----------------|--------------|-----------|------------|
| W2E142-CC13-16 | 1     | 175     | 115 | 50/60 | 16        | 54  | 75              | Ball         | Terminals | 2.00       |
| W2E142-BB05-01 | 2     | 230     | 115 | 50/60 | 24        | 57  | 80              | Ball         | Terminals | 2.00       |
| W2E142-BB05-87 | 2     | 230     | 115 | 50/60 | 24        | 57  | 80              | Ball         | Terminals | 2.00       |
| W2E142-CC15-16 | 1     | 175     | 230 | 50/60 | 16        | 54  | 75              | Ball         | Terminals | 2.00       |
| W2E142-BB01-01 | 2     | 230     | 230 | 50/60 | 28        | 57  | 80              | Ball         | Terminals | 2.00       |
| W2E142-BB01-87 | 2     | 230     | 230 | 50/60 | 28        | 57  | 80              | Ball         | Terminals | 2.00       |



**ebmpapst**

e-mail: [sales@us.ebmpapst.com](mailto:sales@us.ebmpapst.com) · TEL: 860-674-1515 · FAX: 860-674-8536

ebm-papst Inc., 100 Hyde Road, Farmington, CT 06034 USA

ebm-papst Inc., 2004 © ebm-papst Inc. reserves the right to change any specifications or data without notice