

**ebm-papst St. Georgen GmbH & Co. KG**

Hermann-Papst-Straße 1

D-78112 St. Georgen

Phone: +49(0)7724/81-0

Fax: +49(0)7724/81-1309

info2@de.ebmpapst.com

www.ebmpapst.com

**Nominal data**

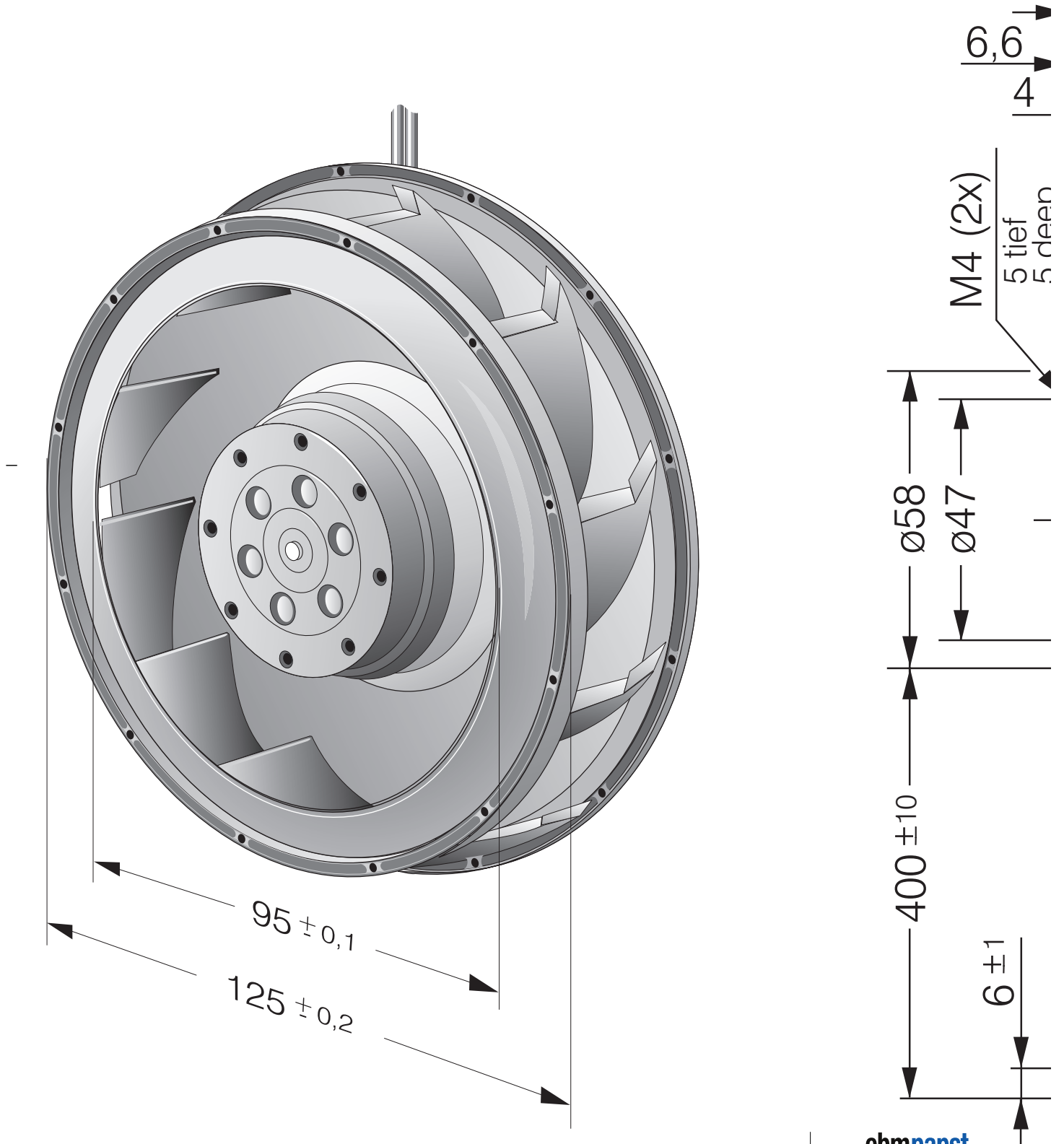
| Type                     | RER 125-19/06        |      |
|--------------------------|----------------------|------|
| Nominal voltage          | [VAC]                | 115  |
| Frequency                | [Hz]                 | 60   |
| Speed                    | [min <sup>-1</sup> ] | 2850 |
| Power input              | [W]                  | 18.0 |
| Min. ambient temperature | [°C]                 | -30  |
| Max. ambient temperature | [°C]                 | 70   |
| Air flow                 | [m <sup>3</sup> /h]  | 115  |
| Sound power level        | [B]                  | 6.5  |

ml = max. load · me = max. efficiency · rfa = running at free air · cs = customer specs · cu = customer unit  
Subject to alterations

## Technical features

|  |  |
|--|--|
| <b>Dimensions</b>                          | 138 Ø x 40 mm  |
| <b>General description</b>                 | AC centrifugal fan with external rotor shaded-pole motor.  |
| <b>Connection line</b>                     | 2 single strands AWG 22                                    |
| <b>Direction of protection</b>             | Right, looking at rotor                                    |
| <b>Direction of air flow</b>               | Centrifugal  |
| <b>Bearing</b>                             | Ball bearings  |
| <b>Lifetime L10 at 40 °C</b>               | 40000 h  |
| <b>Lifetime L10 at maximum temperature</b> | 20000 h  |
| <b>Mass</b>                                | 0.500 kg   |
| <b>Material of impeller</b>                | Fiberglass-reinforced plastic reinforced with sheet steel. |
| <b>Motor protection</b>                    | Protected from overload using impedance protection         |
| <b>Approval</b>                            | VDE, CSA, UL, CE   |

Product drawing



Charts: Air flow

