

RER 125-19/56

# AC centrifugal compact fan

single inlet



## ebm-papst St. Georgen GmbH & Co. KG

Hermann-Papst-Straße 1

78112 St. Georgen

Phone: +49 7724 81-0

Fax: +49 7724 81-1309

www.ebmpapst.com

info2@de.ebmpapst.com

## Nominal data

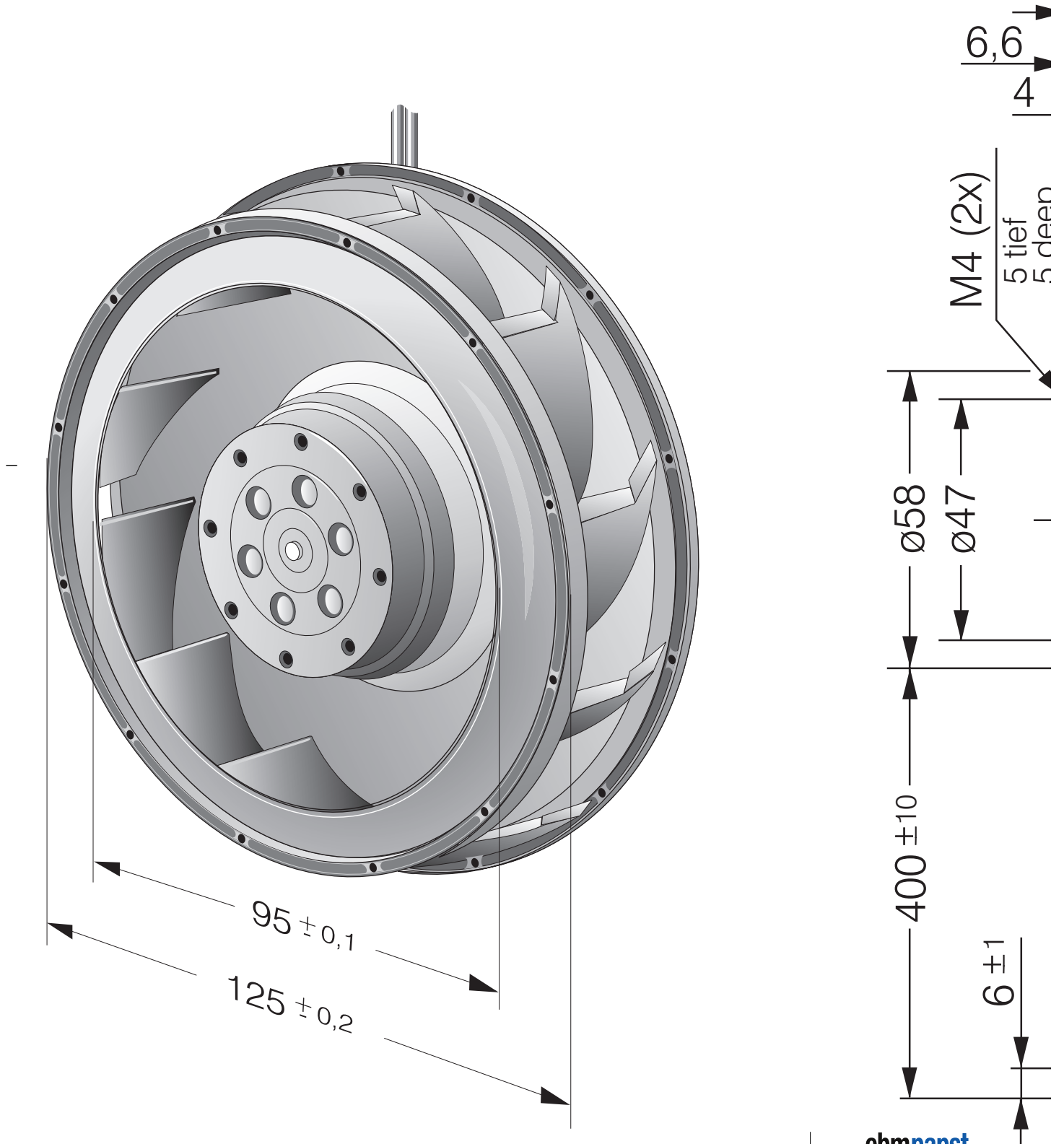
Type	RER 125-19/56	
Nominal voltage	[VAC]	230
Frequency	[Hz]	50
Speed	[min <sup>-1</sup> ]	2600
Power input	[W]	19.0
Min. ambient temperature	[°C]	-30
Max. ambient temperature	[°C]	60
Air flow	[m <sup>3</sup> /h]	104
Sound power level	[B]	6.2

ml = max. load · me = max. efficiency · rfa = running at free air · cs = customer specs · cu = customer unit  
Subject to alterations

## Technical features

<b>Dimensions</b>	138 Ø x 40 mm
<b>General description</b>	AC centrifugal fan with external rotor shaded-pole motor
<b>Connection line</b>	2 single strands AWG 22
<b>Direction of protection</b>	Right, looking at rotor
<b>Direction of air flow</b>	Centrifugal
<b>Bearing</b>	Ball bearings
<b>Lifetime L10 at 40 °C</b>	37500 h
<b>Lifetime L10 at maximum temperature</b>	22500 h
<b>Mass</b>	0.500 kg
<b>Material of impeller</b>	Fiberglass-reinforced plastic reinforced with sheet steel.
<b>Motor protection</b>	Protected from overload using impedance protection
<b>Approval</b>	VDE, CSA, UL, CE

Product drawing



## Charts: Air flow

