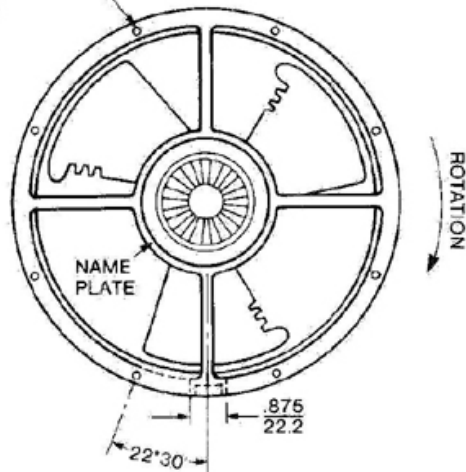
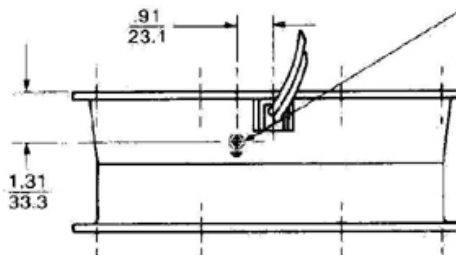


.180 DIA 8 HOLES
4.57
EQUALLY SPACED
ON 9.688 DIA
246.08
(EACH SIDE)



GROUND CONNECTION .173 DIA x .400 DEEP
4.39 10.2
USE NO.10 SELF - TAPPING SCREW, TYPE F, FOR CONNECTION



DIMENSIONS: $\frac{\text{in}}{\text{mm}} \pm$
TOLERANCES: .xx= $\frac{.03}{0.8}$
.xxx= $\frac{.010}{.25}$
ANGULAR ±2°
(UNLESS NOTED)

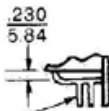
Specifications subject to change without notice.

2 SOLDER TERMINALS

.344±.020 LONG
8.74±0.51

.120±.002 WIDE
3.048±0.051

.020±.001 THICK
0.508±0.025



(WILL FIT PLUG & CORD #428056 OR 550440)

RECOMMENDED CUTOUT DIAMETER: $\frac{9.12 \pm .06}{231.6 \pm 1.5}$ DIA