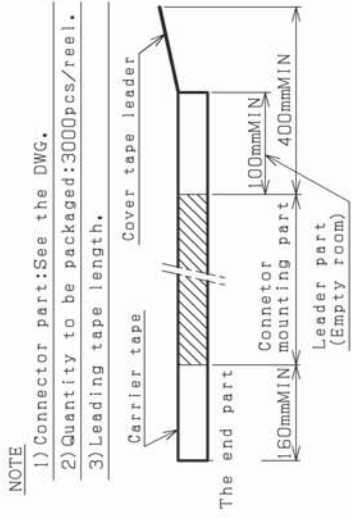
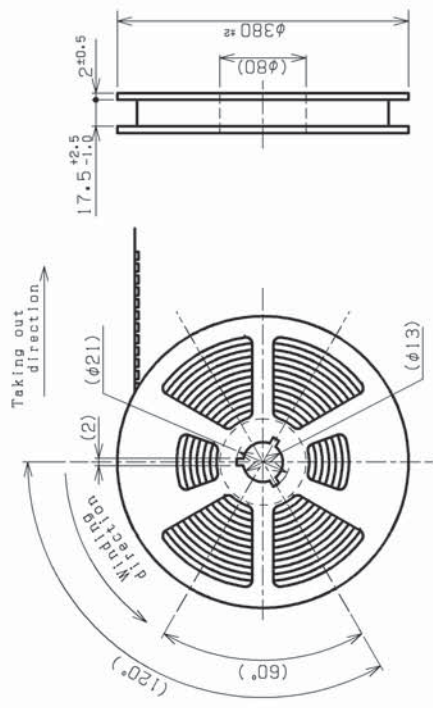


THIS DRAWING CONTAINS INFORMATION THAT IS PROPRIETARY TO J.S.T. AND SHOULD NOT BE USED WITHOUT WRITTEN PERMISSION.

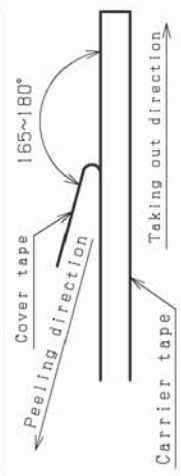
EC4109-2

REV.	DESCRIPTION	DATE	DESIGNED
△			

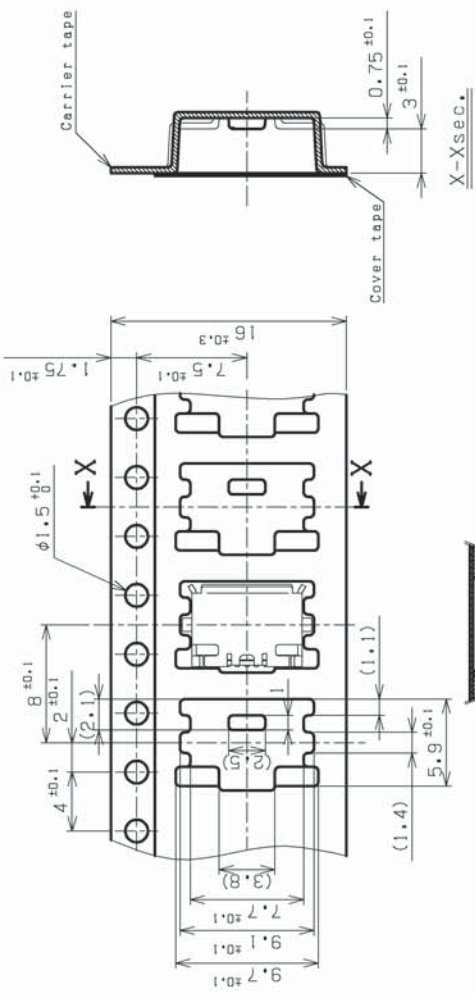


NOTE
 1) Connector part: See the DWG.
 2) Quantity to be packaged: 3000pcs/reel.
 3) Leading tape length.

4) Cover tape peel strength: 0.1~1N
 Peeling speed: 300mm/min.



5) Material
 : Carrier tape: Polyester (PET)
 : Cover tape: Polyester (PET)
 : Reel : Flange, Polystyrene (PS)
 : Core, Polypropylene (PP)
 : Core, Polystyrene (PS)
 6) Unless otherwise specified tolerance are ±0.3.



SIZE	UNIT	SCALE	PROJECTION	DATE	CUSTOMER		
A3	METRIC	FREE	1	22.JUL.2008	MicroUSB Receptacle		
APPROVED	CHECKED	DESIGNED	DRAWN	Y.N	Y.N	Y.N	Reverse ABtype
S.U							UB-MC5ABR3-RSD4-4S-TB
JST J.S.T.MFG.CO.,LTD					DRAWING No.	CT7-00350-G50-1	
						RO	

THIS DRAWING CONTAINS INFORMATION THAT IS PROPRIETARY TO J.S.T. AND SHOULD NOT BE USED WITHOUT WRITTEN PERMISSION.

EC4109-2