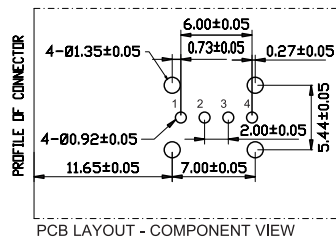
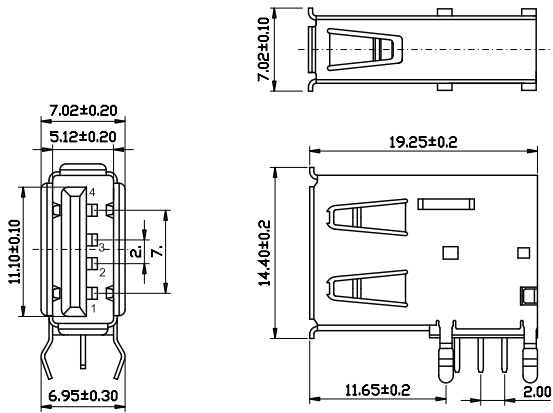


1 2 3 4 5



TECHNICAL CHARACTERISTICS

MATERIAL
 INSULATOR: PBT
 FLAMABILITY RATING: UL94-V0
 COLOR: WHITE
 CONTACT MATERIAL: COPPER ALLOYS
 CONTACT TYPE: STAMPED
 CONTACT PLATING: SELECTIVE GOLD
 SHIELDING: BRASS NI PLATED
 QUALITY CLASS: 1500 MATING CYCLES

ENVIRONMENTAL
 OPERATING TEMPERATURE: -40 UP TO 105°C
 COMPLIANCE: LEAD FREE AND ROHS

ELECTRICAL
 CURRENT RATING: 1A
 WORKING VOLTAGE: 30V
 INSULATOR RESISTANCE: >1000 MOHM
 DIELECTRIC WITHSTANDING VOLTAGE: 750V AC/MN
 CONTACT RESISTANCE: 20 mOHM MAX

SOLDERING
 WAVE PROCESS COMPATIBLE

PACKAGING
 TRAY

USB 2.0 COMPATIBLE

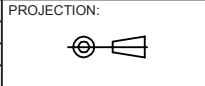
A

B

C

RoHS Compliant

| | | | |
|-----|-----------|-------------------|----|
| G | | | |
| F | | | |
| E | 13-FEB-09 | PINNING | JP |
| D | 05-DEC-07 | MODIFICATIONS | EC |
| C | 19-DEC-06 | USB2.0 COMPATIBLE | JP |
| B | 10-NOV-06 | CT | JP |
| A | 26-APR-06 | PDF | JP |
| REV | DATE | FILE | BY |



GENERAL TOLERANCE
 .X = +/- 0.2
 .XX = +/- 0.15



APPROVAL: RJ

UNIT: MM
 SCALE:
 SHEET: 1/1
 DRAW: PEARL

DESCRIPTION: USB TYPE A UP RIGHT
 WERI PART NO: 614004134726

SIZE
A4

D