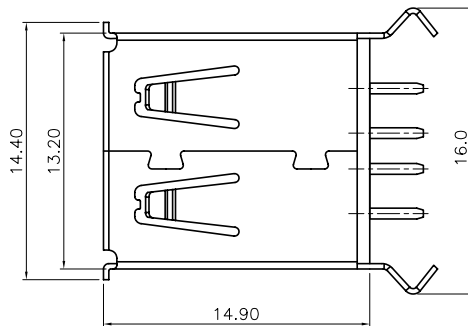
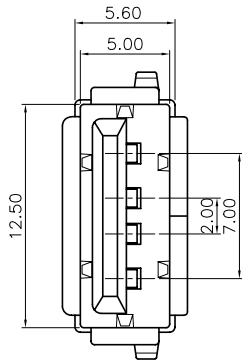


1 2 3 4 5



TECHNICAL CHARACTERISTICS

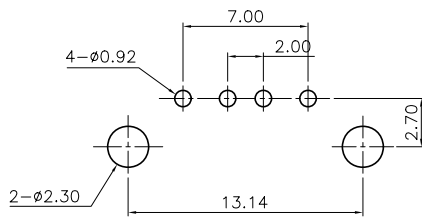
MATERIAL
 INSULATOR: PBT
 COLOR: WHITE
 CONTACT MATERIAL: COPPER ALLOYS
 CONTACT TYPE: STAMPED
 CONTACT PLATING: SELECTIVE GOLD
 SHIELDING: BRASS NI PLATED
 QUALITY CLASS: 1500 MATING CYCLES

ENVIRONMENTAL
 OPERATING TEMPERATURE: -40 UP TO 105°C
 FLAMABILITY RATING: UL94-V0
 COMPLIANCE: LEAD FREE AND ROHS

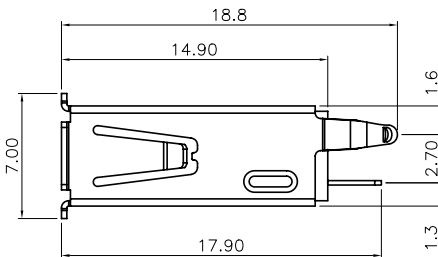
ELECTRICAL
 CURRENT RATING: 1A
 WORKING VOLTAGE: 30V
 INSULATOR RESISTANCE: >1000 MOHM
 DIELECTRIC WITHSTANDING VOLTAGE: 750V AC/MN
 CONTACT RESISTANCE: 20 mOHM MAX

SOLDERING
 WAVE PROCESS ONLY

PACKAGING
 TRAY



PCB LAYOUT - COMPONENT VIEW



RoHS Compliant

G			
F			
E			
D			
C	10-DEC-07	MODIFICATIONS	EC
B	13-MAR-07	NEW DRAW	JP
A	03-NOV-06	PDF	JP
REV	DATE	FILE	BY

PROJECTION:	
APPROVAL: RJ	

GENERAL TOLERANCE
.X = +/_ 0.2
.XX = +/_ 0.15
UNIT: MM
SCALE:
SHEET: 1/1
DRAW: PEARL

DESCRIPTION: USB TYPE A VERTICAL
WERI PART NO: 614004135023

SIZE
A4

A
B
C