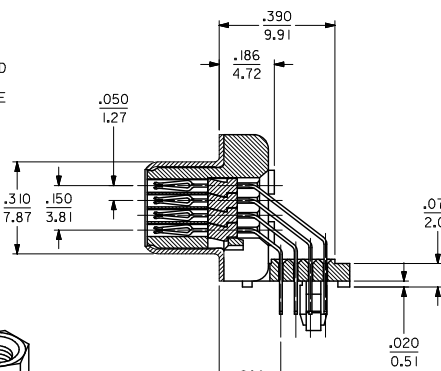
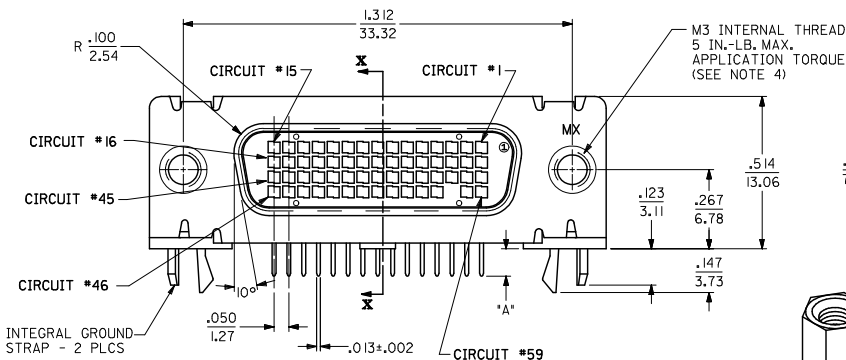
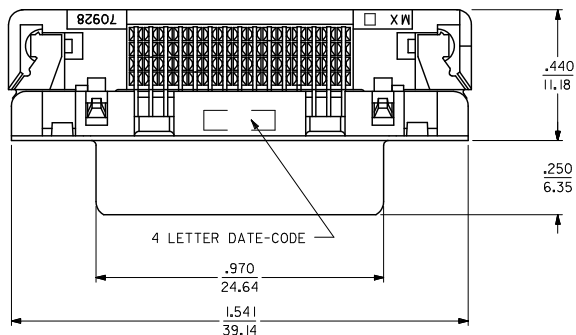


ITEM NUMBER	DIMENSION 'A'	HEXAGONAL SCREWLOCKS PACKAGED WITH CONNECTORS	SCREWLOCK ITEM NUMBER (SEE SD-70982-****)	PACKAGED PER PACKAGING SPECIFICATION
75134-1000	.092±.010/2.34±0.25	NO		PK-70873-0291
75134-1001	.092±.010/2.34±0.25	YES	70982-1003; 4-40 INTERNAL THD	PK-70873-0686

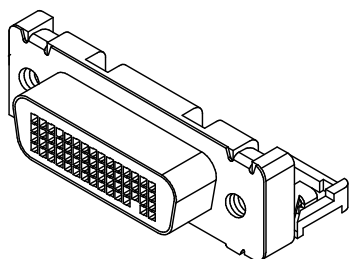
NOTES:

- 1) MATERIALS:
 - HOUSING: GLASS FILLED LCP (LIQUID CRYSTAL POLYMER), UL94 V-0, COLOR NATURAL.
 - STICK HOUSING: GLASS FILLED LCP (LIQUID CRYSTAL POLYMER), UL94 V-0, COLOR BLACK.
 - TERMINALS: COPPER ALLOY.
 - OUTER SHELL: DEEP DRAWN STEEL.
 - HEXAGONAL SCREWLOCK: STEEL.
- 2) PLATING :
 - TERMINAL: SELECTIVE GOLD (Au) FLASH IN CONTACT AREA; THICKNESS= 2 TO 10 MICROINCHES/0.05 TO 0.25 MICROMETERS;
 - SELECTIVE TIN (Sn) ALLOY IN THE PC TAIL AREA; THICKNESS=100 MICROINCHES/2.54 MICROMETERS MINIMUM; NICKEL (Ni) UNDERPLATE OVER ENTIRE PIN.
 - OUTER SHELL: 150 MICROINCHES/3.81 MICROMETERS MINIMUM OF BRIGHT TIN OVER 50 MICROINCHES/1.27 MICROMETERS MINIMUM OF NICKEL OVER COPPER FLASH (OPTIONAL).
- 3) CONFORMS TO PRODUCT SPECIFICATION PS-75134-001.
- 4) THREAD GAGE MAY REQUIRE UP TO 1 INCH-POUND/0.113 NEWTON-METER OF TORQUE DURING GAGING PROCESS.
- 5) SEE CHART FOR PACKAGING.
- 6) PART COMPLIES WITH CLASS B OF COSMETIC SPECIFICATION PS-45499-002

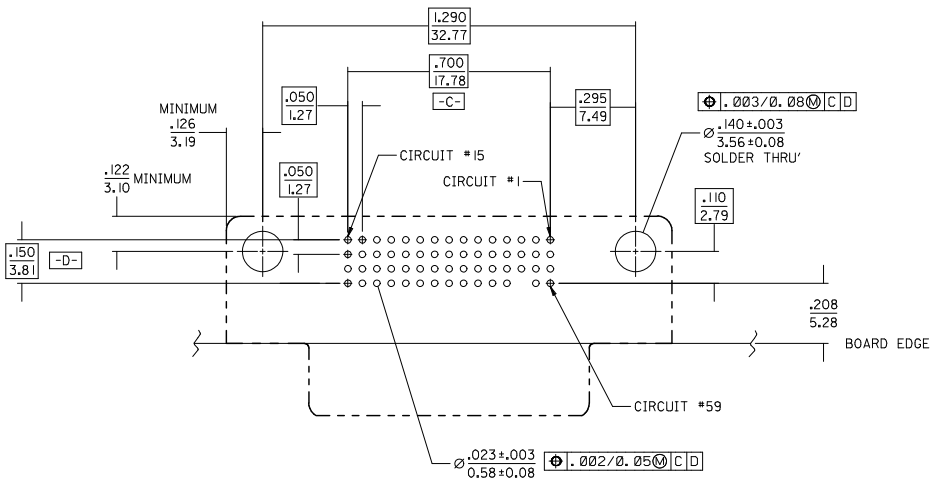


OPTIONAL HEXAGONAL SCREWLOCK

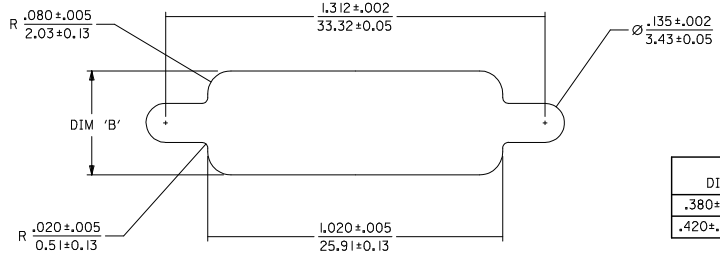
SECTION X-X



MODIFY T/A ACTUAL EC NO. UCP2009-2635 2009/04/29 DRW:DMORGAN CHK:SDANIELLEY 2009/04/30 APPR:SMILLER 2009/04/30	QUALITY SYMBOLS ▽=0 ▽=0	GENERAL TOLERANCES (UNLESS SPECIFIED)		DIMENSION STYLE IN/MM	SCALE INCH	DESIGN UNITS INCH	THIRD ANGLE PROJECTION
		4 PLACES ±.010 ±.010 3 PLACES ±.010 ±.010 2 PLACES ±.025 ±.015 1 PLACE ±.038 ±.015	DRAWN BY DMORGAN 2002/10/18	DATE 2002/10/18	TITLE SALES DMS-59 RECEPTACLE LFH .050/1.27 PITCH RIGHT ANGLE I/O 59 CKT		
		ANGULAR ±1/2°	CHECKED BY BBARKER 2002/10/18	DATE 2002/10/18	MOLEX INCORPORATED		
		DRAFT WHERE APPLICABLE MUST REMAIN WITHIN DIMENSIONS	APPROVED BY SMILLER 2002/10/18	DATE 2002/10/18	MATERIAL NO. SEE TABLE	DOCUMENT NO. SD-75134-001	SHEET NO. 1 OF 2



COMPONENT SIDE
RECOMMENDED P.C.B. LAYOUT

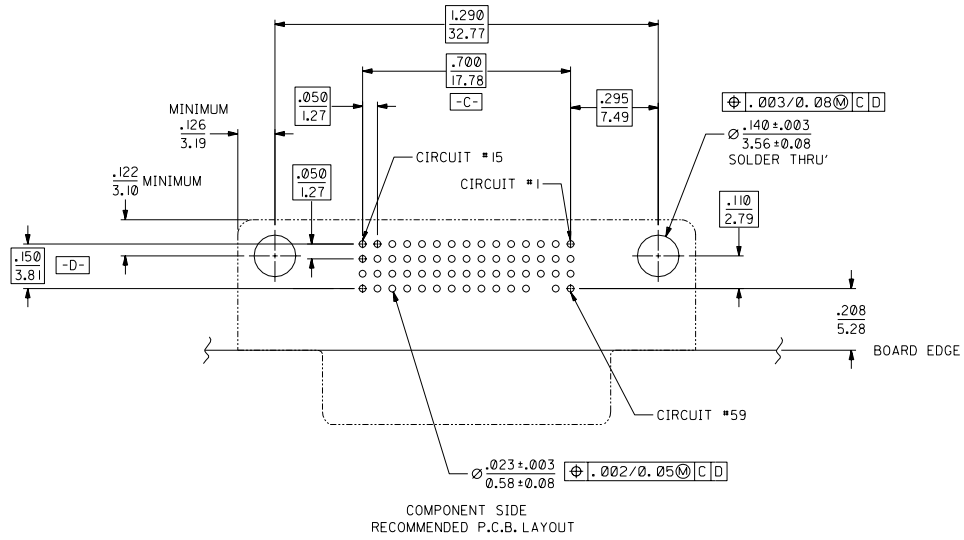


DIMENSION 'B'	MAXIMUM PANEL THICKNESS
.380±.005/9.65±0.13	.039/0.99
.420±.005/10.67±0.13	.064/1.63

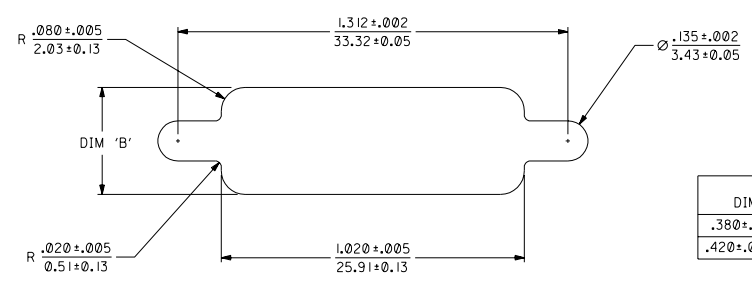
RECOMMENDED PANEL CUT-OUT

SEE SHEET 1 EC NO: UCP2009-2635 DRW: DMORGAN 2009/04/29 CHK: DSANNELLEY 2009/04/30 APPR: SMILLER 2009/04/30	QUALITY SYMBOLS	GENERAL TOLERANCES (UNLESS SPECIFIED)		DIMENSION STYLE		SCALE	DESIGN UNITS	THIRD ANGLE PROJECTION
	▽=0	mm	INCH	IN/MM		4:1	INCH	☉
	▽=0	4 PLACES ± --- ± ---	3 PLACES ± --- ± .010	DRAWN BY	DATE	TITLE		
		2 PLACES ± 0.25 ± .015	1 PLACE ± 0.38 ± ---	DMORGAN	2002/10/18	SALES DMS-59 RECEPTACLE LFH .050/1.27 PITCH RIGHT ANGLE I/O 59 CKT		
	ANGULAR ± 1/2°	DRAFT WHERE APPLICABLE MUST REMAIN WITHIN DIMENSIONS		CHECKED BY	DATE	MOLEX INCORPORATED		
				BBARKER	2002/10/18	MATERIAL NO. SD-75134-001		
				APPROVED BY	DATE	DOCUMENT NO.		
				SMILLER	2002/10/18	SHEET NO. 2 OF 2		
				MATERIAL NO. SD-75134-001		THIS DRAWING CONTAINS INFORMATION THAT IS PROPRIETARY TO MOLEX INCORPORATED AND SHOULD NOT BE USED WITHOUT WRITTEN PERMISSION		

13 12 11 10 9 8 7 6 5 4 3 2 75134



COMPONENT SIDE
RECOMMENDED P.C.B. LAYOUT



RECOMMENDED PANEL CUT-OUT

INITIAL RELEASE EC NO. UCP2003-0543 DRW:DMORGAN 02/10/18 CHK:BBARKER 02/10/18 APPR:SMILLER 02/10/18	QUALITY SYMBOLS	GENERAL TOLERANCES (UNLESS SPECIFIED)	SCALE 4:1	DESIGN UNITS <input type="checkbox"/> mm <input checked="" type="checkbox"/> INCH	THIRD ANGLE PROJECTION <input type="checkbox"/> <input checked="" type="checkbox"/>	DIMENSIONS: <input type="checkbox"/> mm <input checked="" type="checkbox"/> INCH <input type="checkbox"/> mm ONLY	SHT 1	REV
	MAJOR	4 PLACES $\pm 0.$	DRAWN BY & DATE DMORGAN 02/10/18	TITLE: SALES DMS-59 RECEPTALCE				REVISE ON CAD ONLY
	CRITICAL	3 PLACES $\pm 0.$	CHECKED BY & DATE BBARKER 02/10/18	LFH .050 / 1.27 PITCH				
		2 PLACES ± 0.25	APPROVED BY & DATE SMILLER 02/10/18	RIGHT ANGLE I/O 59 CKT				
	1 PLACE ± 0.38	ANGULAR: $\pm 1/2^\circ$	CAD FILENAME	MATERIAL NO. SEE CHART	DRAWING NO. SD-75134-001	MOLEX INCORPORATED	SHEET NO. 2	SIZE C
		DRAFT WHERE APPLICABLE MUST REMAIN WITHIN DIMENSIONS	THIS DRAWING CONTAINS INFORMATION THAT IS PROPRIETARY TO MOLEX INCORPORATED AND SHOULD NOT BE USED WITHOUT WRITTEN PERMISSION.					

LBOARD.DGN REV A 96/06/12 LEVEL 5

12 11 10 9 8 7 6 5 4 3 2 1