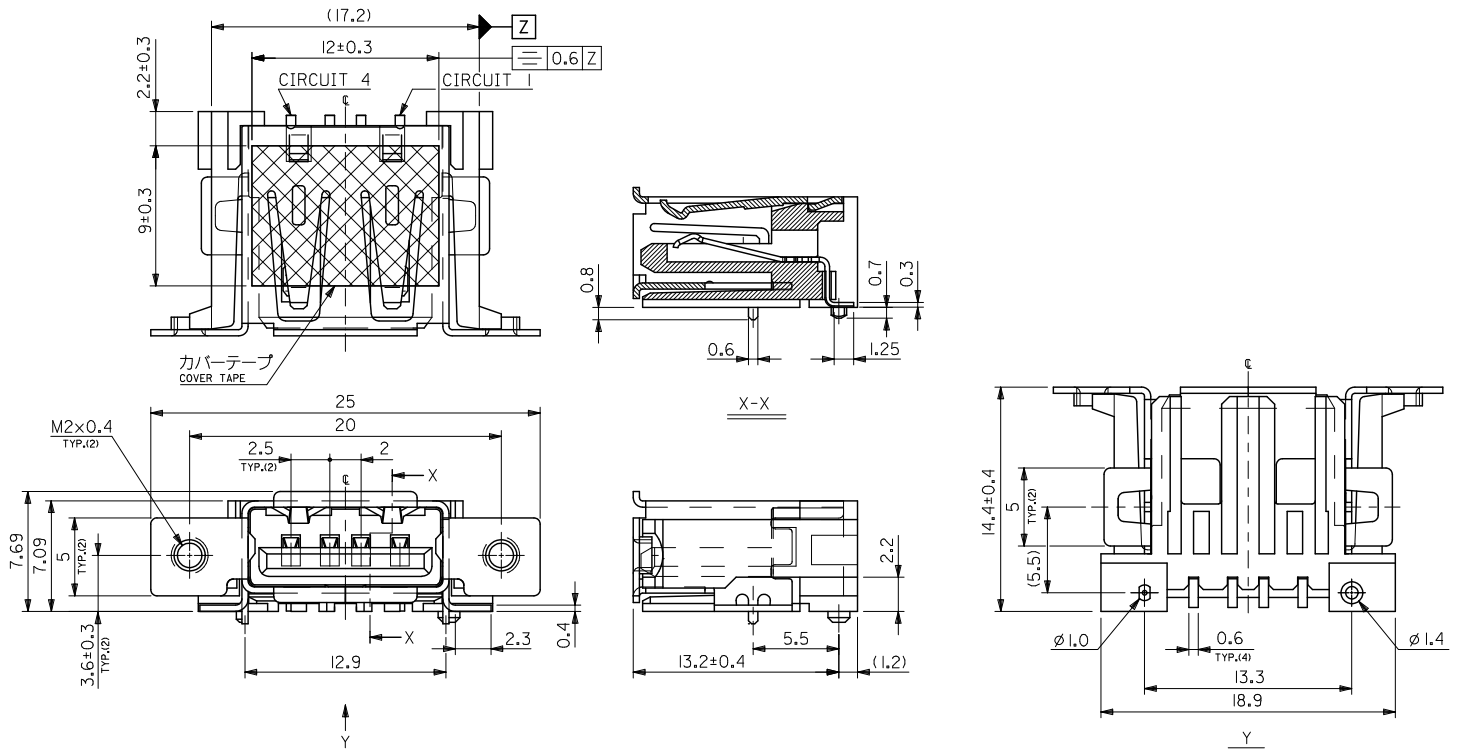


10 9 8 7 6 5 4 3 2 1

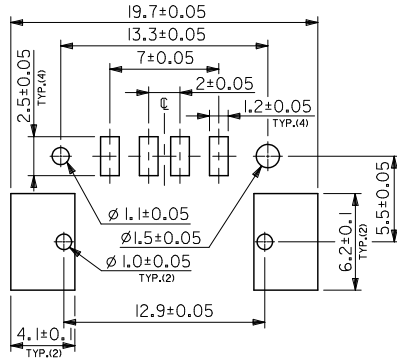


REVISED		EC NO: J2011-0208		2010/08/06		DRW:TEMGASE		2010/08/06		CHK:KCHIKANO		2010/09/03		APPR:MYAGI		2010/09/03		MODEL NO. 54366-***19	
DESCRIPTION		GENERAL TOLERANCES (UNLESS SPECIFIED)		DIMENSION STYLE		SCALE		DESIGN UNITS		THIRD ANGLE PROJECTION		DRAWN BY		DATE		TITLE		MOLEX INCORPORATED	
10 UNDER		$\pm 0.2$		MM ONLY		---		METRIC		☉		MSASA0		2004/03/24		USB I/O CONN. (SIDE FLANGE REVERSE SMT TYPE) -LEAD FREE-		SHEET NO. 1 OF 2	
10 OVER 30 UNDER		$\pm 0.25$		DRAWN BY		DATE		MATERIAL NO.		DOCUMENT NO.		CHECKED BY		DATE		MOLEX INCORPORATED		SD-54366-007	
30 OVER		$\pm 0.3$		APPROVED BY		DATE		54366-0419		SD-54366-007		MSASA0		2004/03/24		MOLEX INCORPORATED		1 OF 2	
ANGULAR		$\pm 3^\circ$		MATERIAL NO.		DOCUMENT NO.		54366-0419		SD-54366-007		MSASA0		2004/03/24		MOLEX INCORPORATED		1 OF 2	
DRAFT WHERE APPLICABLE MUST REMAIN WITHIN DIMENSIONS		SIZE		THIS DRAWING CONTAINS INFORMATION THAT IS PROPRIETARY TO MOLEX INCORPORATED AND SHOULD NOT BE USED WITHOUT WRITTEN PERMISSION		A3													

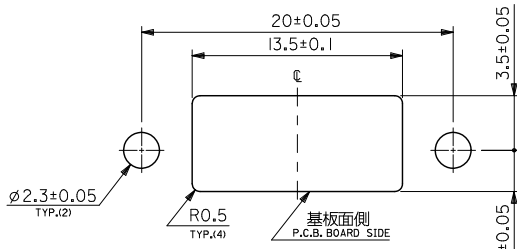
ib\_frame\_A3\_J\_ME\_S Rev. E 2006/04/15

EN-02JA(021)

10 9 8 7 6 5 4 3 2 1



推奨基板寸法  
RECOMMENDED PCB LAYOUT



推奨取り付けパネル寸法  
RECOMMENDED PANEL LAYOUT

注記  
NOTES:

1. 材質  
MATERIAL  
ハウジング: PA(ホリアミド)、ガラス充填  
白色、UL 94V-0  
HOUSING : PA (POLYNYNAMETHYLENE TEREPHTHALAMIDE)  
.GLASS FILLED,WHITE,UL94V-0  
ターミナル: 磷青銅 (t=0.3)  
TERMINAL :PHOSPHOR BRONZE(t=0.3)  
シェル : 黄銅 (t=0.4)  
SHELL : BRASS(t=0.4)
2. メッキ仕様  
PLATING  
ターミナル  
TERMINAL  
接点部: 金メッキ 最小0.75マイクロメートル  
CONTACT AREA:GOLD 0.75 MICROMETER MINIMUM  
半田付け部: 錫メッキ 最小1.0マイクロメートル  
SOLDER TAIL AREA:TIN 1.0 MICROMETER MINIMUM  
下地メッキ: ニッケルメッキ 最小1.25マイクロメートル  
UNDER PLATING:NICKEL 1.25 MICROMETER MINIMUM  
シェル: 錫メッキ 最小1.0マイクロメートル  
SHELL:TIN 1.0 MICROMETER MINIMUM  
下地メッキ: ニッケルメッキ 最小2.0マイクロメートル  
UNDER PLATING:NICKEL 2.0 MICROMETER MINIMUM
3. テール平度度は、最大0.1ミリメートル  
TAIL COPLANARITY TO BE 0.1MMXMM
4. 本製品は54366-\*\*12の鉛フリー品である。  
THIS PRODUCT IS LEAD FREE OF 54366-\*\*12.

MODEL NO. 54366-\*\*19

REVISED EC NO: J2011-0208 DRW:TEMASE CHK:KCHIKANO APP:MYAGI A	DESCRIPTION 2010/08/06 2010/08/06 2010/09/03	GENERAL TOLERANCES (UNLESS SPECIFIED)		DIMENSION STYLE MM ONLY	SCALE ---	DESIGN UNITS METRIC	THIRD ANGLE PROJECTION
		10 UNDER	±0.2	DRAWN BY	DATE	TITLE	USB I/O CONN. (SIDE FLANGE REVERSE SMT TYPE) -LEAD FREE-
		10 OVER 30 UNDER	±0.25	CHECKED BY	DATE	MOLEX INCORPORATED	
		30 OVER	±0.3	APPROVED BY	DATE		
ANGULAR ±3° DRAFT WHERE APPLICABLE MUST REMAIN WITHIN DIMENSIONS		MATERIAL NO. 54366-0419	DOCUMENT NO. SD-54366-007	SHEET NO. 2 OF 2	THIS DRAWING CONTAINS INFORMATION THAT IS PROPRIETARY TO MOLEX INCORPORATED AND SHOULD NOT BE USED WITHOUT WRITTEN PERMISSION		

DWG. NO. SD-54366-008

F

E

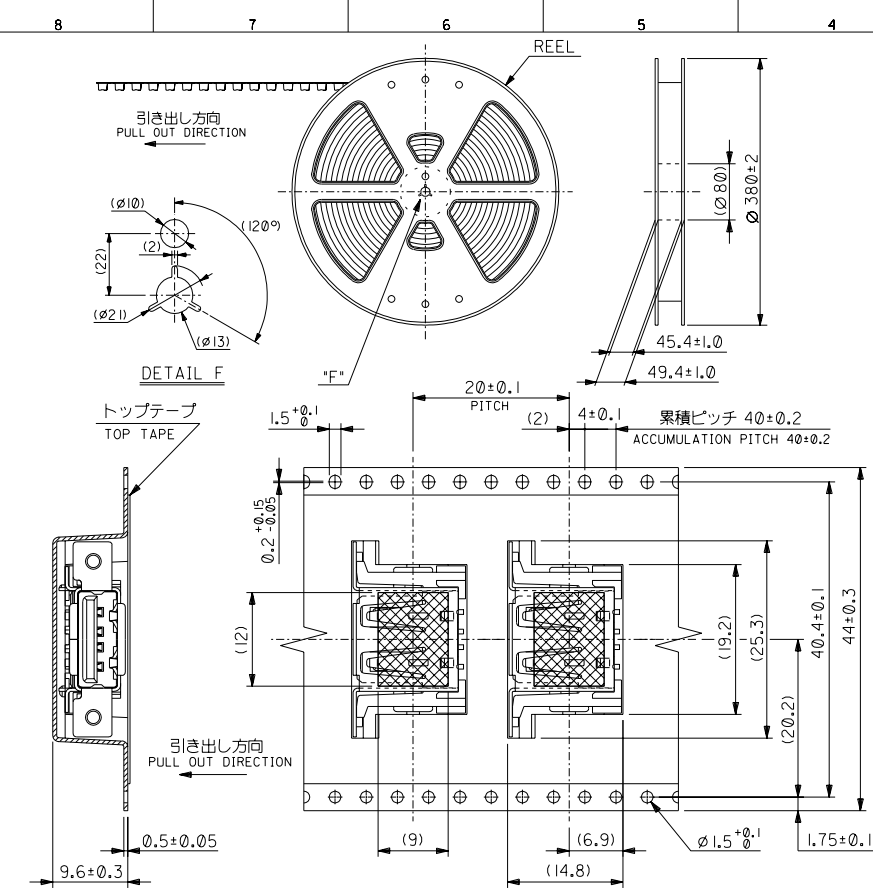
D

V

C

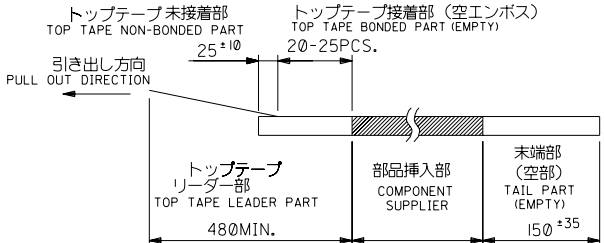
B

DO NOT SCALE DRAWING



注記 NOTES:

- 製品詳細寸法については SD-54366-007 を参照下さい。  
RE DETAILED DIMENSION SEE SD-54366-007
- 梱包数量: 350 個/リール  
NUMBER OF CONNECTORS: 350 PCS/REEL
- リードテープ長さ  
LEAD TAPE LENGTH



- トップテープの剥離強度: 0.1~1.3N {10~130gf}  
(剥離方向は下図参照)  
<剥離速度: 300mm/min (参考)>  
PEEL-OFF FORCE OF TOP TAPE: 0.1~1.3N {10~130gf}  
(PEELING DIRECTION AS SHOWN IN FOLLOWING FIG.)  
<PEEL-OFF SPEED: 300mm/min (REF.)>



- 材料  
MATERIAL  
キャリアテープ: ポリプロピレン  
CARRIER TAPE: POLYPROPYLENE  
トップテープ: ポリエステル, ポリエチレン  
TOP TAPE: POLYESTER, POLYETHYLENE  
リール: ポリスチレン (PS) <リサイクル材を含む>  
REEL: POLYSTYRENE (PS) <RECYCLE MATERIAL CONTAINED>
- 本製品は54366-008の鉛フリー品である。  
THIS PRODUCT IS LEAD FREE OF 54366-008.

44	54366-0419	54366-0478	4
テープ幅 TAPE WIDTH	装着コネクタ CONNECTOR	製品番号 MATERIAL NO.	極数 CIRCUITS

MODEL NO.	54366-0078	DIMENSIONS:	SHT	REV
DESIGN UNITS	<input checked="" type="checkbox"/> mm <input type="checkbox"/> INCH	<input type="checkbox"/> mm <input type="checkbox"/> INCH	<input type="checkbox"/> mm ONLY	REVISE ON CAD ONLY

TITLE: EMBOSSED TAPE PACKAGE FOR 54366-0419 -LEAD FREE-

MOLEX INCORPORATED

CAD FILENAME	MATERIAL NO.	DRAWING NO.	SHEET NO.
SD-54366-008.S01	54366-0478	SD-54366-008	1 OF 1
THIS DRAWING CONTAINS INFORMATION THAT IS PROPRIETARY TO MOLEX INCORPORATED AND SHOULD NOT BE USED WITHOUT WRITTEN PERMISSION.			SIZE B

EC NO.	DRWN:	CHK:	APPR:	EC NO.	DRWN:	CHK:	APPR:	EC NO.	DRWN:	CHK:	APPR:	EC NO.	DRWN:	CHK:	APPR:	REV	DESCRIPTION	WIRE RANGE	INS. RANGE
																0	RELEASED	適用電線範囲	被覆外径
EC NO. J2004-5318 DRWN: Y.WADA '04/03/24 CHK: M.SASAO '04/03/24 APPR: M.SASAO '04/03/24 MATERIAL 材料 注記参照 SEE NOTES FINISH 仕上げ WIRE RANGE 適用電線範囲 INS. RANGE 被覆外径 GENERAL TOLERANCES: (UNLESS SPECIFIED) 一般公差 SCALE 1:1 DESIGN UNITS <input checked="" type="checkbox"/> mm <input type="checkbox"/> INCH DRAWN BY & DATE Y.WADA '04/03/24 CHECKED BY & DATE M.SASAO '04/03/24 APPROVED BY & DATE M.SASAO '04/03/24 TOLERANCES: 10 UNDER 未満 +0.2, 10 OVER 以上 30 UNDER 未満 +0.25, 30 OVER 以上 +0.3 ANGLE 角度 +3° THIS DRAWING CONTAINS INFORMATION THAT IS PROPRIETARY TO MOLEX INCORPORATED AND SHOULD NOT BE USED WITHOUT WRITTEN PERMISSION.																			

EN-02J(097) MXJ-54