

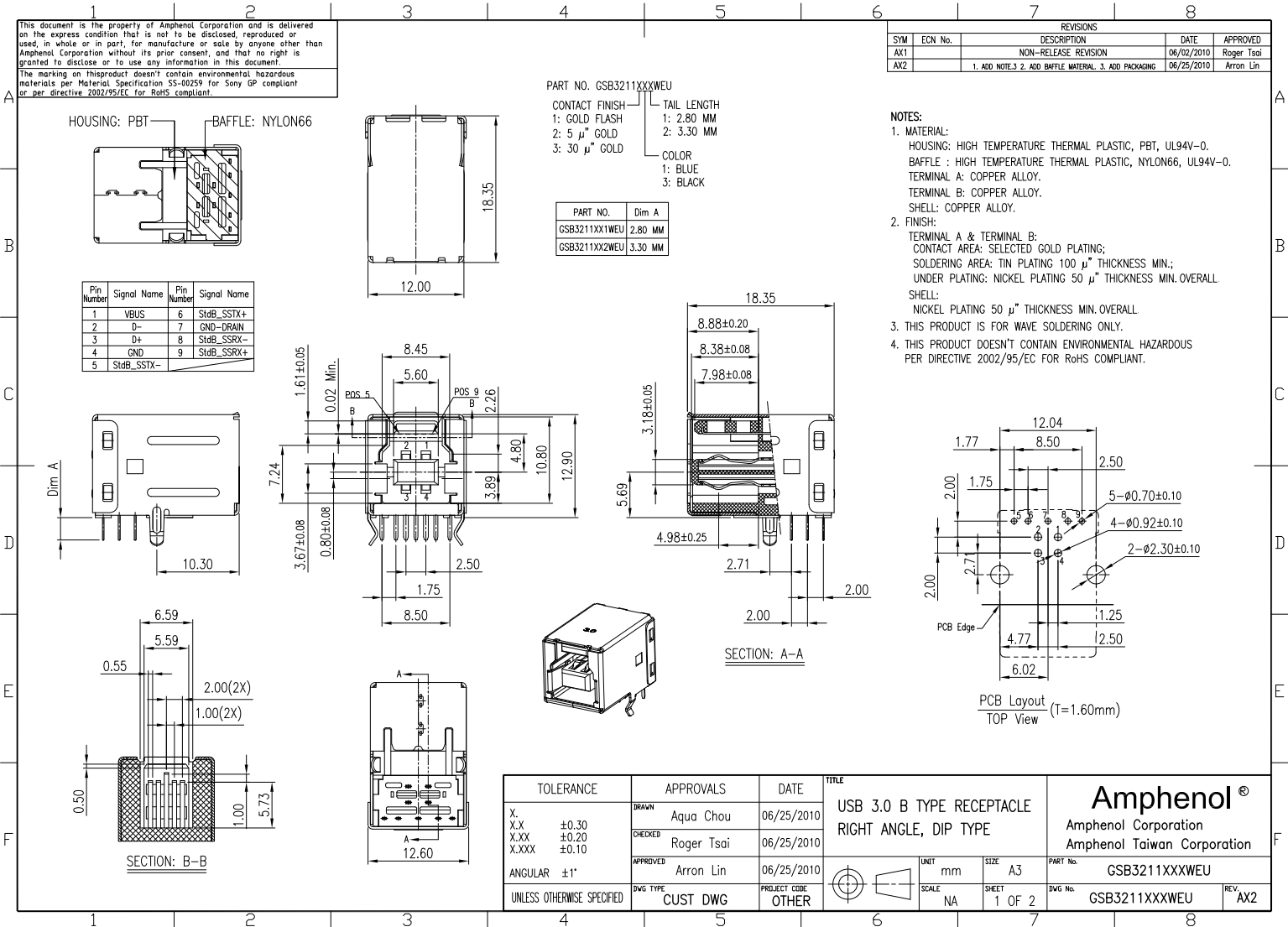
This document is the property of Amphenol Corporation and is delivered on the express condition that it is not to be disclosed, reproduced or used, in whole or in part, for manufacture or sale by anyone other than Amphenol Corporation without its prior consent, and that no right is granted to disclose or to use any information in this document.
The marking on this product doesn't contain environmental hazardous materials per Material Specification SS-00259 for Sony GP compliant or per directive 2002/95/EC for RoHS compliant.

REVISIONS				
SYM	ECN No.	DESCRIPTION	DATE	APPROVED
AX1		NON-RELEASE REVISION	06/02/2010	Roger Tsai
AX2		1. ADD NOTE.3 2. ADD BAFFLE MATERIAL. 3. ADD PACKAGING	06/25/2010	Arron Lin

PART NO. GSB3211XXXWEU
CONTACT FINISH
1: GOLD FLASH
2: 5 μm GOLD
3: 30 μm GOLD
TAIL LENGTH
1: 2.80 MM
2: 3.30 MM
COLOR
1: BLUE
3: BLACK

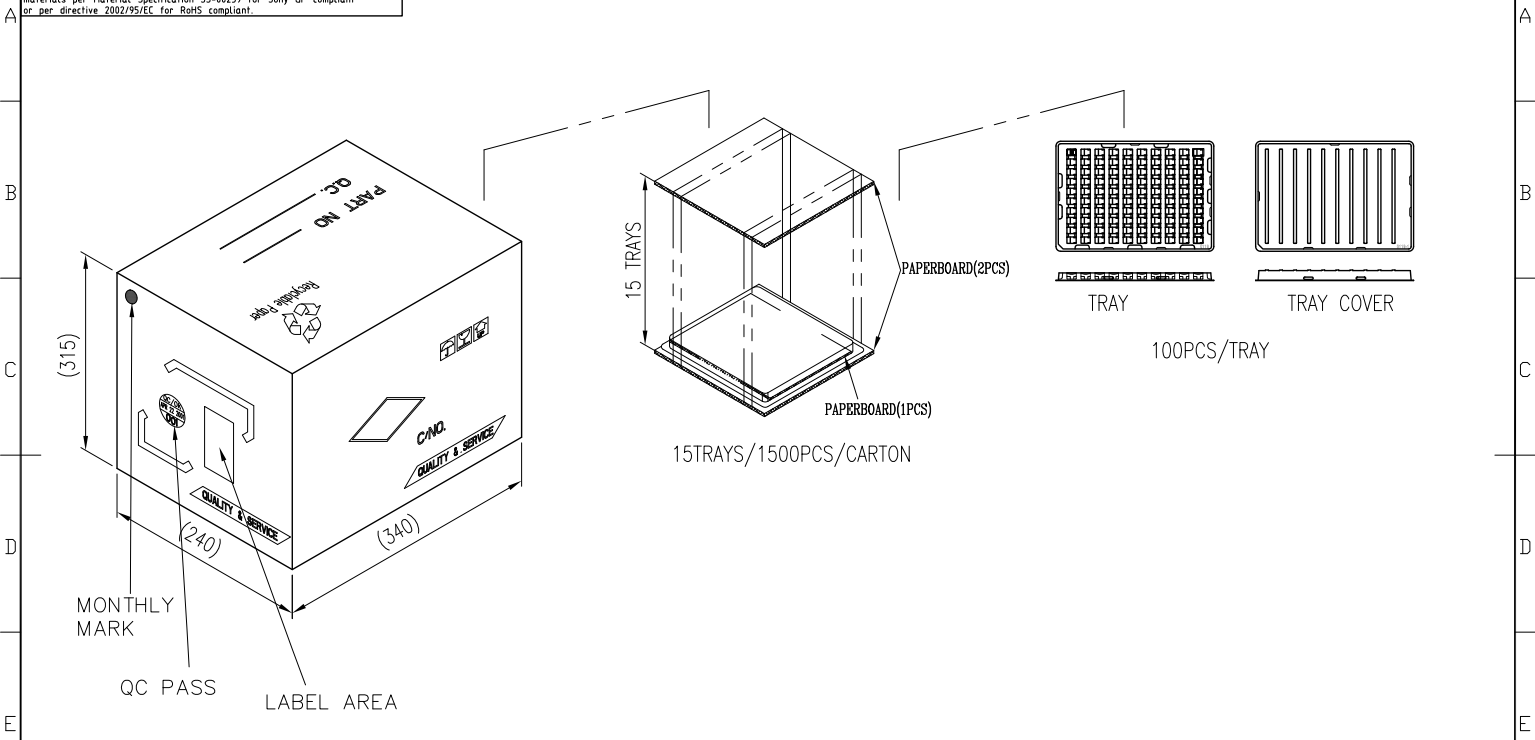
PART NO.	Dim A
GSB3211XX1WEU	2.80 MM
GSB3211XX2WEU	3.30 MM

- NOTES:**
- MATERIAL:**
HOUSING: HIGH TEMPERATURE THERMAL PLASTIC, PBT, UL94V-0.
BAFFLE: HIGH TEMPERATURE THERMAL PLASTIC, NYLON66, UL94V-0.
TERMINAL A: COPPER ALLOY.
TERMINAL B: COPPER ALLOY.
SHELL: COPPER ALLOY.
 - FINISH:**
TERMINAL A & TERMINAL B:
CONTACT AREA: SELECTED GOLD PLATING;
SOLDERING AREA: TIN PLATING 100 μm THICKNESS MIN.;
UNDER PLATING: NICKEL PLATING 50 μm THICKNESS MIN. OVERALL.
SHELL:
NICKEL PLATING 50 μm THICKNESS MIN. OVERALL.
 - THIS PRODUCT IS FOR WAVE SOLDERING ONLY.
 - THIS PRODUCT DOESN'T CONTAIN ENVIRONMENTAL HAZARDOUS PER DIRECTIVE 2002/95/EC FOR RoHS COMPLIANT.



This document is the property of Amphenol Corporation and is delivered on the express condition that it is not to be disclosed, reproduced or used, in whole or in part, for manufacture or sale by anyone other than Amphenol Corporation without its prior consent, and that no right is granted to disclose or to use any information in this document.
The marking on this product doesn't contain environmental hazardous materials per Material Specification SS-00259 for Sony GP compliant or per directive 2002/95/EC for RoHS compliant.

REVISIONS				
SYM	ECN No.	DESCRIPTION	DATE	APPROVED
AX1		NON-RELEASE REVISION	06/02/2010	Roger Tsai
AX2		1. ADD NOTE.3 2. ADD BAFFLE MATERIAL. 3. ADD PACKAGING	06/25/2010	Arron Lin



100	15	1500	8.3	7.0	GSB3211XXXWEU
PCS/TRAY	TRAYS/BOX	QUANTITY (PCS)	G/W (Kg)	N/W (Kg)	PART NUMBER

TOLERANCE	APPROVALS	DATE	TITLE		Amphenol®	
X. ±0.30	DRAWN Aqua Chou	06/25/2010	USB 3.0 B TYPE RECEPTACLE RIGHT ANGLE, DIP TYPE		Amphenol Corporation Amphenol Taiwan Corporation	
X.XX ±0.20	CHECKED Roger Tsai	06/25/2010				
X.XXX ±0.10	APPROVED Arron Lin	06/25/2010		UNIT mm	SIZE A3	PART No. GSB3211XXXWEU
ANGULAR ±1°	DWG TYPE CUST DWG	PROJECT CODE OTHER		SCALE NA	SHEET 2 OF 2	DWG No. GSB3211XXXWEU
UNLESS OTHERWISE SPECIFIED						