

10 9 8 7 6 5 4 3 2 1

NOTES :

1. MATERIAL :

HOUSING : HIGH TEMPERATURE NYLON ,GLASS FIBER, UL94-V0 , COLOR: BLACK
 TERMINAL : PHOSPHOR BRONZE(PhBr), C5100 EH, PER ES-I24-E108
 METAL SHELL : COPPER ALLOY

2. PLATING :

TERMINAL :

CONTACT AREA : (a) GOLD FLASH.

(b) GL0D (Au), THICKNESS = 30 MICROINCH/0.76 MICROMETER

SOLDER TAIL : TIN.

THICKNESS=50-100 MICROINCH/1.27-2.54 MICROMETER

UNDER PLATE : NICKEL (NI), THICKNESS= 50 MICROINCH/L27 MICROMETER

METAL SHELL : TIN.

THICKNESS=50-100 MICROINCH/1.27-2.54 MICROMETER

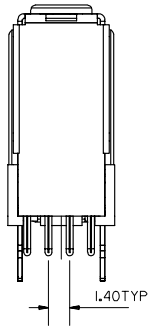
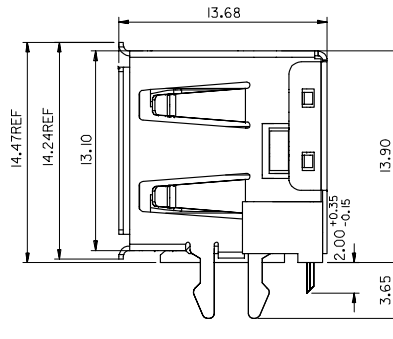
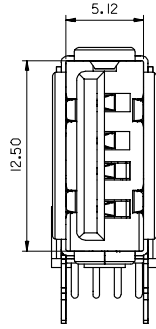
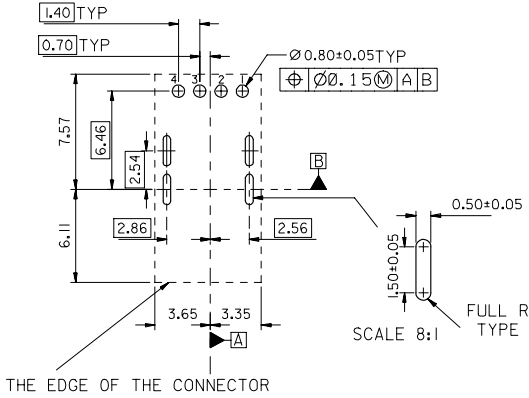
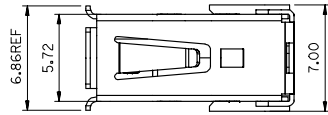
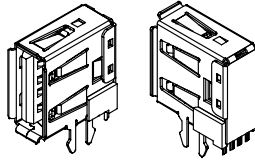
UNDER PLATE : NICKEL (NI), THICKNESS= 50 MICROINCH/L27 MICROMETER

SURFACE APPEARANCE :BRIGHT

3 RECOMMENDED PCB THICKNESS : 1.60±0.05 mm.

4 PRODUCT SPECIFICATION : REFER TO PS-89485

5 PACKAGING SPECIFICATION : REFER TO PK-67329-001



PART NUMBER LEGEND:

P/N	CONTACT PLATING
67329-8020	GOLD FLASH
67329-8021	0.76 MICROMETER/30 MICROINCH GOLD

NEW RELEASE EC NO. 2005/12/09 DRAWN BY QIANHUIPING CHECKED BY HARVEY APPROVED BY GARY	DESCRIPTION 2006/01/10 2006/01/10	QUALITY SYMBOLS	GENERAL TOLERANCES (UNLESS SPECIFIED)	DIMENSION STYLE MM ONLY	SCALE 4:1	DESIGN UNITS METRIC	THIRD ANGLE PROJECTION											
		<table border="1"> <tr> <th></th> <th>mm</th> <th>INCH</th> </tr> <tr> <td>4 PLACES</td> <td>± ---</td> <td>± ---</td> </tr> <tr> <td>3 PLACES</td> <td>± ---</td> <td>± ---</td> </tr> <tr> <td>2 PLACES</td> <td>± 0.25</td> <td>± ---</td> </tr> <tr> <td>1 PLACE</td> <td>± 0.25</td> <td>± ---</td> </tr> <tr> <td colspan="3">ANGULAR ± 3 °</td> </tr> </table>							mm	INCH	4 PLACES	± ---	± ---	3 PLACES	± ---	± ---	2 PLACES	± 0.25
	mm	INCH																
4 PLACES	± ---	± ---																
3 PLACES	± ---	± ---																
2 PLACES	± 0.25	± ---																
1 PLACE	± 0.25	± ---																
ANGULAR ± 3 °																		
DRAWN BY QIANHUIPING DATE 2005/12/09				TITLE USB UPRIGHT CONNECTOR FLANG OUT TYPE WITH FORK LOCK LEAD FREE														
CHECKED BY HARVEY DATE 2005/12/09				DRAWN BY QIANHUIPING DATE 2005/12/09														
APPROVED BY GARY DATE 2005/12/09				DRAWN BY QIANHUIPING DATE 2005/12/09														
MATERIAL NO.				DOCUMENT NO. SD-67329-802														
DRAFT WHERE APPLICABLE MUST REMAIN WITHIN DIMENSIONS				SEE CHART														
SIZE A3				THIS DRAWING CONTAINS INFORMATION THAT IS PROPRIETARY TO MOLEX INCORPORATED AND SHOULD NOT BE USED WITHOUT WRITTEN PERMISSION														
MOLEX						MOLEX INCORPORATED												
SHEET NO. 1 OF 1																		

9 8 7 6 5 4 3 2 1