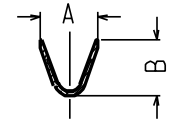
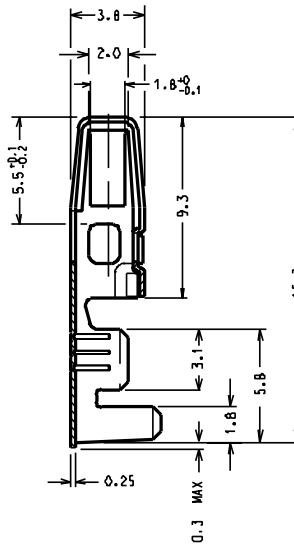
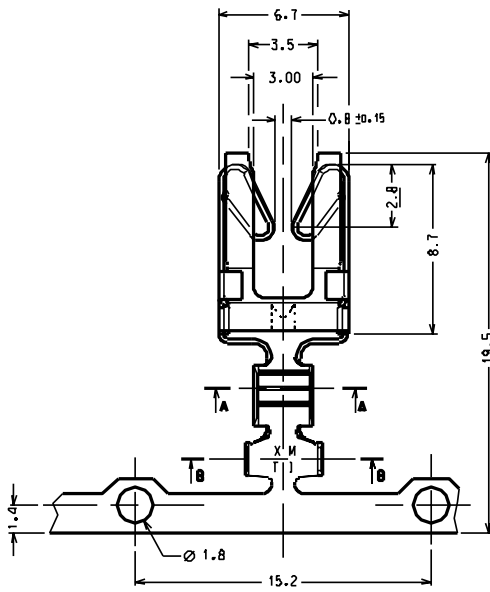
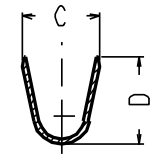


CODICE P/N	MATERIALE MATERIAL	FINITURA PLATING	SEZ. FILO WIRE SIZE mm ²	Ø ISOLANTE Ø INSULATION mm	±0.7 mm				IMBALLO (S.P.O. 1/PACKAGING) " per box in 6 bobine " pcs per box in 6 reels
					A	B	C	D	
94529-1103	BRONZO FOSFOROSO PHOSPHOR BRONZE	PRESTAGNATD	0.35-0.50	1.70 max.*	1.9	2.2	2.7	2.7	24.000
94529-1201	OTTONE BRASS	TIN PREPLATED	0.50-1.00	2.80 max.	3.0	2.9	4.0	4.5	21.000

* F I L D A D I S O L A M E N T O R I D D I T O
• L O W I N S U L A T I O N W I R E



SECTION A - A



SECTION B - B

CARATTERISTICHE PRODOTTO SECONDO PS-94529-001
PRODUCT CHARACTERISTICS ACCORDING TO PS-94529-002

SENDO D I S V O L G I M E N T O D A L L A B O B I N A
D I R E C T I O N O F F R E E L

Std. Descr: "FORK TERM STRAIGHT 1.5 GAP Insert WIRE SIZE"

EC NO. Z2002-0020 DRAWN BY: Santese 04-09-91 CHKD BY: Tappalozza 04-09-91 APPR. B. ZUM 04-09-91	QUALITY SYMBOLS MAJOR W = SIGNIF. S = CRITICAL C =	GENERAL TOLERANCES (UNLESS SPECIFIED)		SCALE 5:1	DESIGN UNITS <input type="checkbox"/> mm <input type="checkbox"/> INCH	FIRST ANGLE PROJECTION	DIMENSIONS: <input type="checkbox"/> mm <input type="checkbox"/> INCH <input type="checkbox"/> mm ONLY	SHT	REV	
		4 PLACES ±0.2	3 PLACES ±0.3	2 PLACES ±0.10	1 PLACE ±0.15	ANDULAR: ± 3°	DRAWN BY & DATE Gottardo 05-03-93	TITLE: CONTATTO A FORCELLA DIRITTO - SPESSORE NOM. DEL MASCHIO: 1.5 mm - STRAIGHT FORK TERMINAL TAB SIZE: 1.5 mm		
		DRAFT WHERE APPLICABLE MUST REMAIN WITHIN DIMENSIONS				CHECKED BY & DATE Previato 05-03-93	APPROVED BY & DATE Previato 05-03-93	MOLEX INCORPORATED		
		REV A3		CAD FILENAME SD94529001.DGN	MATERIAL NO. vedi tabella	DRAWING NO. SD-94529-001	SHEET NO. 1 / 1		SIZE A3	

THIS DRAWING CONTAINS INFORMATION THAT IS PROPRIETARY TO MOLEX INCORPORATED AND SHOULD NOT BE USED WITHOUT WRITTEN PERMISSION.