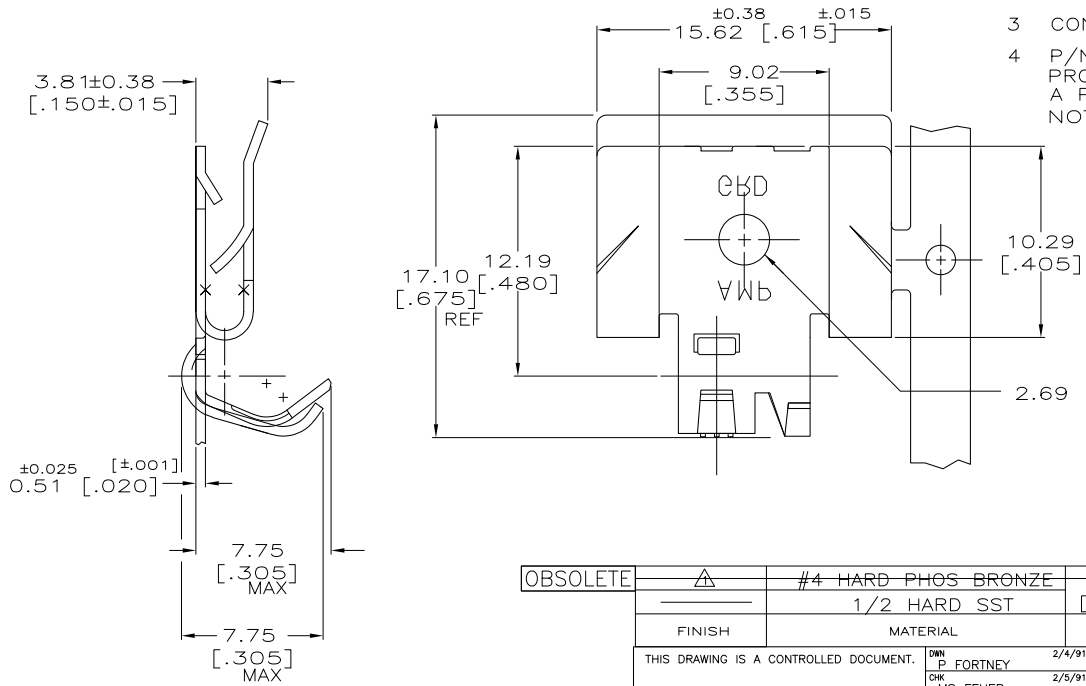


THIS DRAWING IS UNPUBLISHED. RELEASED FOR PUBLICATION  
 © COPYRIGHT - By - ALL RIGHTS RESERVED.

LOC	DIST	REVISIONS					
AF	50	P	LTR	DESCRIPTION	DATE	DWN	APVD
		C1		REVISED PER ECO-11-004917	11MAR11	RK	HMR

- 1 PRE-TIN PL .000080 MIN THK PER MIL-T-10727A.
- 2 MATES WITH .019-.071 THK PANEL.
- 3 CONTINUOUS STRIP ON REELS.
- 4 P/N 63575-1 ONLY IS RELEASED FOR PRODUCTION, P/N 63575-2 IS STILL A PROPOSED DESIGN UNTIL FURTHER NOTICE.



PROPOSED DESIGN  
 NOT RELEASED FOR  
 PRODUCTION  
 P/N 63575-2 ONLY

OBSOLETE	△	#4 HARD PHOS BRONZE	2.54-3.56 DIA	0.8-2.0mm <sup>2</sup>	63575-2
		1/2 HARD SST	[.100-.140]	[18-14] AWG	63575-1
	FINISH	MATERIAL	INSULATION RANGE	WIRE RANGE	PART NO

THIS DRAWING IS A CONTROLLED DOCUMENT.		DWN P FORTNEY 2/4/91	TE Connectivity		
		CHK MS FEHER 2/5/91			
DIMENSIONS: MM(INCHES)	TOLERANCES UNLESS OTHERWISE SPECIFIED:	APVD K RANDOLPH 2/8/91	NAME		
0 PLC ± -	1 PLC ± -	PRODUCT SPEC			
2 PLC ± -	3 PLC ± 0.25 [.010]	APPLICATION SPEC			
4 PLC ± -	ANGLES ± -	WEIGHT			
MATERIAL SEE TABLE	FINISH SEE TABLE	WEIGHT -	SIZE A3	CAGE CODE 00779	DRAWING NO C=63575
CUSTOMER DRAWING			SCALE 5:1	SHEET 1 of 1	REV C1

