


SKBD 20/MT-FLRP


Order No.: 2202505



<http://eshop.phoenixcontact.de/phoenix/treeViewClick.do?UID=2202505>

Plug component, Number of positions: 20, Pitch: 5 mm, Color: green, Metal surface: Sn

Commercial data	
GTIN (EAN)	
sales group	E200
Pack	10 pcs.
Customs tariff	85369010
Catalog page information	Page 263 (CC-2002)

Product notes
WEEE/RoHS-compliant since: 01/01/2003 

<http://www.download.phoenixcontact.com>
 Please note that the data given here has been taken from the online catalog. For comprehensive information and data, please refer to the user documentation. The General Terms and Conditions of Use apply to Internet downloads.

Technical data	
Dimensions / positions	
Pitch	5 mm
Number of positions	20
Screw thread	M3
Tightening torque, min	0.5 Nm
Tightening torque max	0.6 Nm

Technical data

Range of articles	SKBD
Stripping length	8 mm

Certificates / Approvals

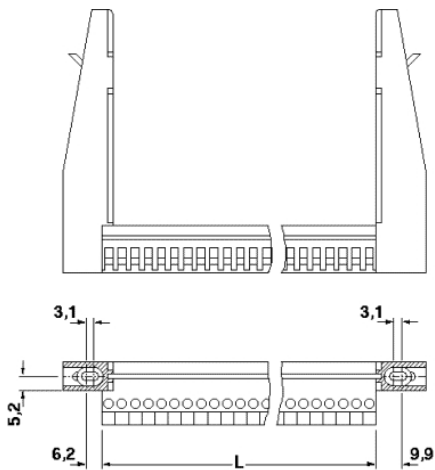


Certification

GOST

Diagrams/Drawings

Dimensioned drawing



Address

PHOENIX CONTACT Deutschland GmbH
Flachsmarktstr. 8
32825 Blomberg, Germany
Phone +49 5235 3 12000
Fax +49 5235 3 41200
<http://www.phoenixcontact.de>



© 2011 Phoenix Contact
Technical modifications reserved;