

DFK-MSTBVA 2,5/16-GF-5,08


Order No.: 1899427

The figure shows a 10-position version of the product

<http://eshop.phoenixcontact.de/phoenix/treeViewClick.do?UID=1899427>

Header, Nominal current: 12 A, Rated voltage (III/2): 320 V, Number of positions: 16, Pitch: 5.08 mm, Color: green, Metal surface: Sn, Assembly: Soldering

Commercial data

| | |
|--------------------------|---|
| GTIN (EAN) |  4 017918 186449 |
| Note | Made-to-order |
| sales group | E120 |
| Pack | 50 pcs. |
| Customs tariff | 85366990 |
| Catalog page information | Page 287 (CC-2009) |

Product notesWEEE/RoHS-compliant since:
07/27/2005

<http://www.download.phoenixcontact.com>
Please note that the data given here has been taken from the online catalog. For comprehensive information and data, please refer to the user documentation. The General Terms and Conditions of Use apply to Internet downloads.

Technical data**Dimensions / positions**

| | |
|---------------------|---------|
| Length | 12 mm |
| Pitch | 5.08 mm |
| Dimension a | 76.2 mm |
| Number of positions | 16 |

Technical data

| | |
|------------------------------------|-----------------------|
| Range of articles | DFK-MSTBVA 2,5/...-GF |
| Insulating material group | IIIa |
| Rated surge voltage (III/3) | 4 kV |
| Rated surge voltage (III/2) | 4 kV |
| Rated surge voltage (II/2) | 4 kV |
| Rated voltage (III/2) | 320 V |
| Rated voltage (II/2) | 400 V |
| Connection in acc. with standard | EN-VDE |
| Nominal current I_N | 12 A |
| Nominal voltage U_N | 250 V |
| Maximum load current | 12 A |
| Insulating material | PBT |
| Inflammability class acc. to UL 94 | V0 |

Certificates / Approvals



Certification

CB, CUL, GOST, UL, VDE-PZI

Accessories

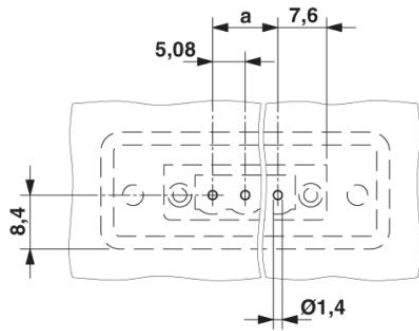
| Item | Designation | Description |
|---------------------|-------------|---|
| Assembly | | |
| 0708263 | DFK-MSTB-SS | Screw set, for securing the header to the device wall, consists of an M3 x 10 screw, with a spring washer and a nut |
| 1755477 | MSTB-BL | Keying cap, for forming sections, plugs onto header pin, green insulating material |
| Plug/Adapter | | |
| 1734401 | CR-MSTB | Coding section, inserted into the recess in the header or the inverted plug, red insulating material |

Additional products

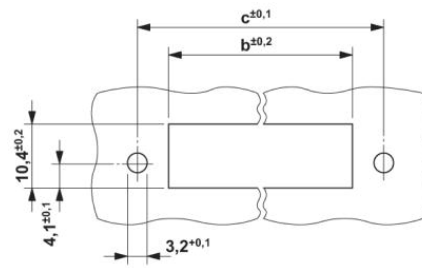
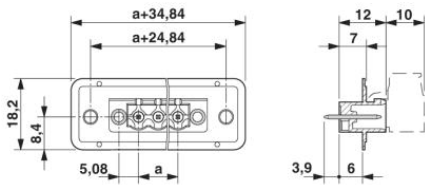
| Item | Designation | Description |
|----------------|----------------------------|--|
| General | | |
| 1873346 | FKC 2,5/16-STF-5,08 | Plug component, Nominal current: 12 A, Rated voltage (III/2): 320 V, Number of positions: 16, Pitch: 5.08 mm, Color: green, Metal surface: Sn |
| 1902440 | FKCT 2,5/16-STF-5,08 | Plug component, Nominal current: 12 A, Rated voltage (III/2): 320 V, Number of positions: 16, Pitch: 5.08 mm, Color: green, Metal surface: Sn |
| 1874248 | FKCVR 2,5/16-STF-5,08 | Plug component, Nominal current: 12 A, Rated voltage (III/2): 320 V, Number of positions: 16, Pitch: 5.08 mm, Color: green, Metal surface: Sn |
| 1873948 | FKCVW 2,5/16-STF-5,08 | Plug component, Nominal current: 12 A, Rated voltage (III/2): 320 V, Number of positions: 16, Pitch: 5.08 mm, Color: green, Metal surface: Sn |
| 1777934 | FRONT-MSTB 2,5/16-STF-5,08 | Plug component, Nominal current: 12 A, Rated voltage (III/2): 320 V, Number of positions: 16, Pitch: 5.08 mm, Color: green, Metal surface: Sn |
| 1778124 | MSTB 2,5/16-STF-5,08 | Plug component, Nominal current: 12 A, Rated voltage (III/2): 320 V, Number of positions: 16, Pitch: 5.08 mm, Color: green, Metal surface: Sn |
| 1809873 | MSTBC 2,5/16-STZF-5,08 | Plug component, Nominal current: 12 A, Rated voltage (III/2): 320 V, Number of positions: 16, Pitch: 5.08 mm, Color: green, Metal surface: Sn, Corresponding female crimp contacts with current [A] and conductor cross section range [mm ²] data: 10A/MSTBC-MT 0,5-1,0 (3190564); 10A/MSTBC-MT 0,5-1,0 BA (3190645); 12A/MSTBC-MT 1,5-2,5 (3190551); 12A/MSTBC-MT 1,5-2,5 BA (3190658). BA = Bandkontakte |
| 1805437 | MSTBT 2,5/16-STF-5,08 | Plug component, Nominal current: 12 A, Rated voltage (III/2): 320 V, Number of positions: 16, Pitch: 5.08 mm, Color: green, Metal surface: Sn |
| 1835232 | MVSTBR 2,5/16-STF-5,08 | Plug component, Nominal current: 12 A, Rated voltage (III/2): 320 V, Number of positions: 16, Pitch: 5.08 mm, Color: green, Metal surface: Sn |
| 1835041 | MVSTBW 2,5/16-STF-5,08 | Plug component, Nominal current: 12 A, Rated voltage (III/2): 320 V, Number of positions: 16, Pitch: 5.08 mm, Color: green, Metal surface: Sn |
| 1883899 | QC 1/16-STF-5,08 | Plug component, Nominal current: 10 A, Rated voltage (III/2): 630 V, Number of positions: 16, Pitch: 5.08 mm, Color: green, Metal surface: Sn |

Diagrams/Drawings

Drilling plan/solder pad geometry



Dimensioned drawing



Dimension $b = 10,49 \text{ mm} + (\text{no. of pos.} \times 5,08 \text{ mm})$
Dimension $c = \text{Dim. } b + 9,27 \text{ mm}$

Address

PHOENIX CONTACT Deutschland GmbH
Flachsmarktstr. 8
32825 Blomberg, Germany
Phone +49 5235 3 12000
Fax +49 5235 3 41200
<http://www.phoenixcontact.de>



© 2010 Phoenix Contact
Technical modifications reserved;