

DFK/DP-2,8-FRONT 2,5

Order No.: 0706524


The illustration shows version DFK-2,8 FRONT 2,5



<http://eshop.phoenixcontact.de/phoenix/treeViewClick.do?UID=0706524>

Feed-through terminal block, Type of connection: Screw connection, Solder/Slip-on connection, Cross-section: 0.2 mm² - 4 mm², Width: 6.2 mm

Commercial data

GTIN (EAN)	
Note	Made-to-order
sales group	A410
Pack	50 pcs.
Customs tariff	85369010
Catalog page information	Page 362 (CL-2005)

Product notes

WEEE/RoHS-compliant since:
07/29/2005



<http://www.download.phoenixcontact.com>
Please note that the data given here has been taken from the online catalog. For comprehensive information and data, please refer to the user documentation. The General Terms and Conditions of Use apply to Internet downloads.

Technical data

General

Number of levels	1
Number of connections	2
Insulating material	PA
Inflammability class acc. to UL 94	V2

Dimensions

Width	6.2 mm
-------	--------

Technical data

Rated surge voltage	4 kV
Pollution degree	3
Surge voltage category	III
Insulating material group	I
Nominal current I_N	17.5 A
Nominal voltage U_N	400 V

Connection data

Conductor cross section solid min.	0.2 mm ²
Conductor cross section solid max.	4 mm ²
Conductor cross section stranded min.	0.2 mm ²
Conductor cross section stranded max.	2.5 mm ²
Conductor cross section AWG/kcmil min.	24
Conductor cross section AWG/kcmil max	12
Conductor cross section stranded, with ferrule without plastic sleeve min.	0.25 mm ²
Conductor cross section stranded, with ferrule without plastic sleeve max.	2.5 mm ²
Conductor cross section stranded, with ferrule with plastic sleeve min.	0.25 mm ²
Conductor cross section stranded, with ferrule with plastic sleeve max.	2.5 mm ²
2 conductors with same cross section, solid min.	0.2 mm ²
2 conductors with same cross section, solid max.	1 mm ²
2 conductors with same cross section, stranded min.	0.2 mm ²
2 conductors with same cross section, stranded max.	1.5 mm ²
2 conductors with same cross section, stranded, ferrules without plastic sleeve, min.	0.5 mm ²
2 conductors with same cross section, stranded, ferrules without plastic sleeve, max.	2.5 mm ²
Type of connection	Screw connection
Stripping length	14 mm
Internal cylindrical gage	A3

Screw thread	M3
Tightening torque, min	0.8 Nm
Tightening torque max	1 Nm

Certificates / Approvals



Certification

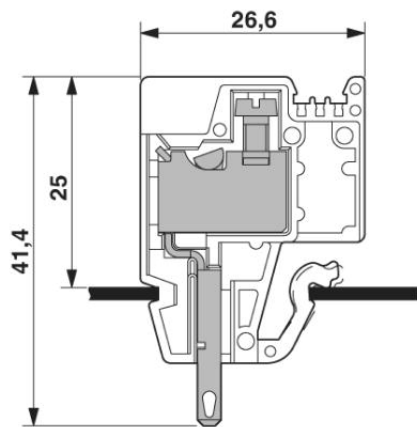
CSA, CUL, GOST, UL

Accessories

Item	Designation	Description
Marking		
1007222	SBS 6:UNBEDRUCKT	Marker cards for modular terminal blocks, color: white
1050499	ZB 6:SO/CMS	Zack strip, 10-section, divisible, special printing, marking according to customer requirements

Diagrams/Drawings

Dimensioned drawing



Address

PHOENIX CONTACT Deutschland GmbH
Flachsmarktstr. 8
32825 Blomberg, Germany
Phone +49 5235 3 12000
Fax +49 5235 3 41200
<http://www.phoenixcontact.de>



© 2010 Phoenix Contact
Technical modifications reserved;