


DFK/FA-4,8

Order No.: 0707031

<http://eshop.phoenixcontact.de/phoenix/treeViewClick.do?UID=0707031>

Feed-through terminal block, Type of connection: Screw connection,
Solder/Slip-on connection, Cross-section: 0.2 mm² - 4 mm², Width: 6.1
mm

Commercial data	
GTIN (EAN)	 4 017918 003821
Note	Made-to-order
sales group	A410
Pack	50 pcs.
Customs tariff	85369010
Catalog page information	Page 288 (CL-2002)

Product notes

WEEE/RoHS-compliant since:
01/01/2005



[http://
www.download.phoenixcontact.com](http://www.download.phoenixcontact.com)
Please note that the data given
here has been taken from the
online catalog. For comprehensive
information and data, please refer
to the user documentation. The
General Terms and Conditions of
Use apply to Internet downloads.

Certificates / Approvals



Certification

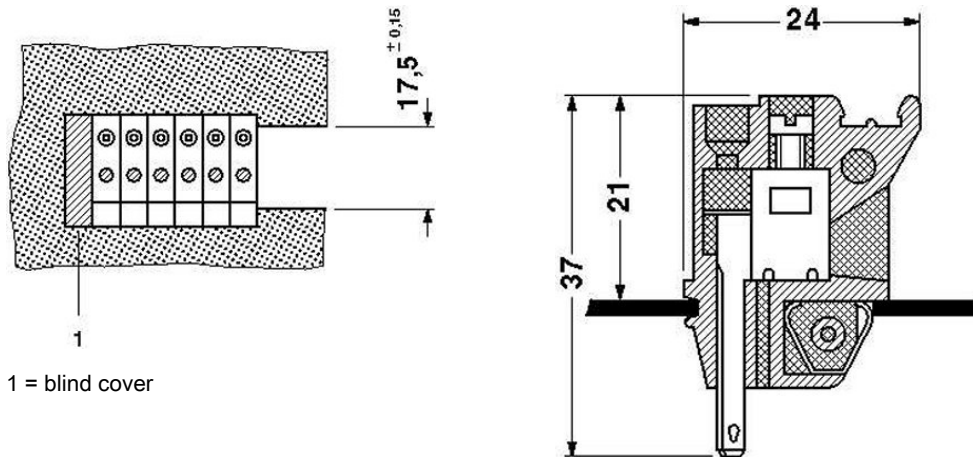
GOST

Accessories

Item	Designation	Description
Bridges		
0201155	EB 2- 6	Insertion bridge, Number of positions: 2, Color: gray
0201142	EB 3- 6	Insertion bridge, Number of positions: 3, Color: gray
0201139	EB 10- 6	Insertion bridge, Number of positions: 10, Color: gray
Marking		
1007222	SBS 6:UNBEDRUCKT	Marker cards for modular terminal blocks, color: white
1050499	ZB 6:SO/CMS	Zack strip, 10-section, divisible, special printing, marking according to customer requirements

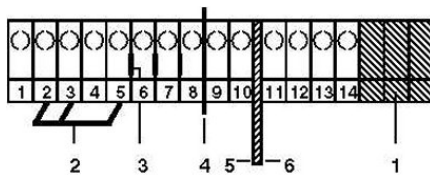
Diagrams/Drawings

Dimensioned drawing



1 = blind cover

Circuit diagram



- 1 = blind cover
- 2 = insertion bridge
- 3 = separating plate
- 4 = partition plates
- 5 = separating plate
- 6 = separating plate, long version

Address

PHOENIX CONTACT Deutschland GmbH
Flachsmarktstr. 8
32825 Blomberg, Germany
Phone +49 5235 3 12000
Fax +49 5235 3 41200
<http://www.phoenixcontact.de>



© 2010 Phoenix Contact
Technical modifications reserved;