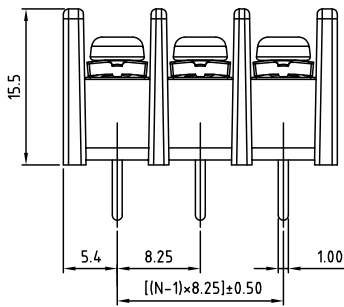
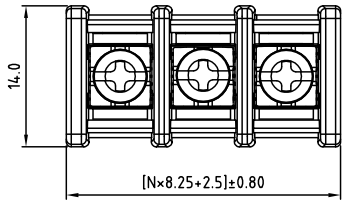
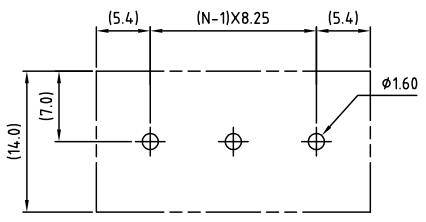


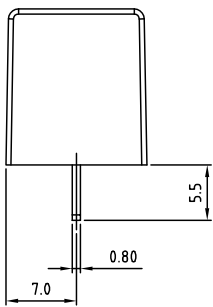
SIGN	DATE	DESCRIPTION	APPROVER
THIS IS CAD DRAWING, DO NOT REVISE MANUALLY!!!			



N=Number of contacts



P.C.B LAYOUT



SPECIFICATIONS

- VOLTAGE & CURRENT: 300V, 20A
- WITHSTANDING VOLTAGE: AC 2000 V/Min
- INSULATION RESISTANCE: 1000 MΩ OR MORE AT DC 500 V
- TEMPERATURE RANGE: -40 °C ~ +105 °C
- SCREW TORQUE VALUE: 8.8 Lb-In.
- WIRE RANGE: 22 - 12 AWG
- 1) MOLDED PARTS: POLYIMIDE 66, UL 94 V-0 BLACK
- 2) TERMINAL: BRASS, 0.8t, Tin PLATED
- 3) TERMINAL SCREWS: STEEL, Ni PLATED, M3

APPROVAL: JS

RoHS Compliant

PART NUMBER:
OSTYK412XX030

No. of Poles _____

- 02: 2 Poles
- 03: 3 Poles
- 04: 4 Poles
- ⋮
- 30: 30 Poles

THESE DRAWINGS AND SPECIFICATIONS ARE THE PROPERTY OF ON-SHORE TECHNOLOGY, INC. AND SHALL NOT BE REPRODUCED, COPIED OR USED IN ANY MANNER WITHOUT THE PRIOR WRITTEN CONSENT OF ON-SHORE TECHNOLOGY, INC.

TITLE		OSTYK-412 w/o Flange Series							
PART NO.		OSTYK412XX030			DWG NO.		OSTYK412XX030.DWG		
APPROVED		CHECKED	DESIGNED	DRAWN	CUST NO.		Tolerance		
Shi Jun 2006.11.07		Seamus 2006.11.06	Tony 2006.02.06	Tony 2006.02.06			X. ±0.50		
							X.X ±0.30		
							X.XX ±0.10		
							X* ±1*		
					SHEET: 01/01		REV: C		